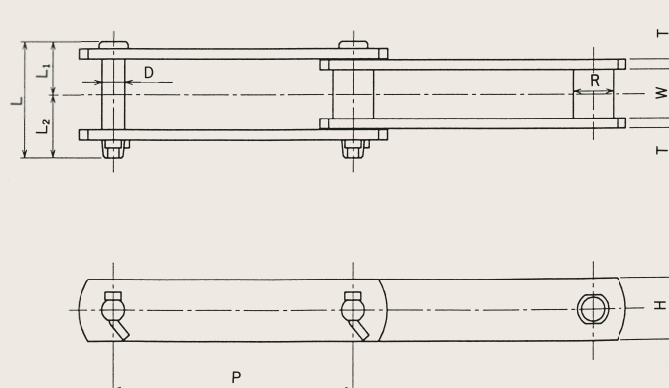


HB-type Bushed Chains



Chain No.	Pitch P (mm)	Bush Outer Dia. R (mm)	Inner Width W (mm)	Pin			Link Plate		Average Tensile Strength		Mass (kg/m)	
				Dia. D (mm)	Length		Height H (mm)	Thickness T (mm)	(kN)	(kgf)		
					L (mm)	L1 (mm)						L2 (mm)
HB10105	101.6	18.2	22.2	9.5	51.0	24.0	27.0	25.4	4.8	53.9	5500	2.9
HB10007	100.0	20.0	22.2	11.1	51.0	24.0	27.0	32.0	4.5	73.5	7500	3.6
HB6608	66.27	22.2	27.0	11.1	63.0	30.0	33.0	28.6	6.3	78.5	8000	5.6
HB10011	100.0	25.4	30.0	14.3	68.0	32.0	36.0	38.0	6.3	112.8	11500	6.7
HB15011	150.0											5.7
HB7811	78.11	31.8	37.1	15.8	87.5	40.0	47.5	38.1	7.9	137.3	14000	10.3
HB10316	103.2	44.5	44.5	18.9	97.5	44.5	53.0	50.8	7.9	186.3	19000	15.1