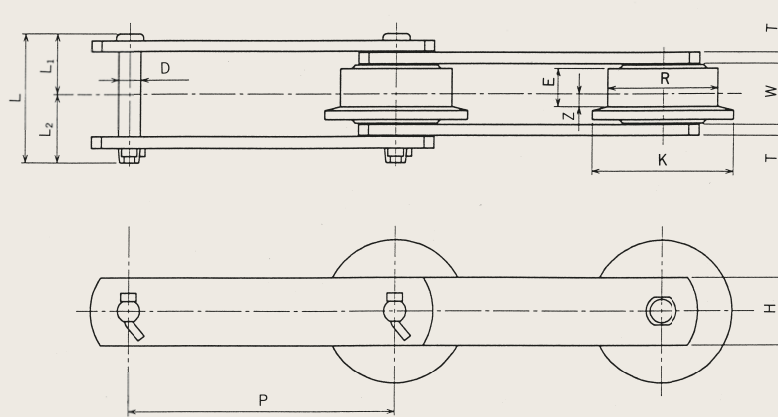


Standard Conveyor Chains (F Roller type)



Chain No.	Pitch P (mm)	Roller				Inner Width W (mm)	Pin			Link Plate		Average Tensile Strength		Mass (kg/m)	
		Outer Dia. R (mm)	Face Width E (mm)	Flange Diameter K (mm)	Offset Z (mm)		Dia. D (mm)	Length			Height H (mm)	Thickness T (mm)	(kN)		(kgf)
								L (mm)	L1 (mm)	L2 (mm)					
HRS03075-F	75	31.8	12.0	42	4.3	16.1	7.9	36.4	17.1	19.3	22.0	3.2	29.4	3000	2.8
HRS03100-F	100														2.3
HRS03150-F	150														2.1
HRS05100-F	100	40.0	14.0	50	4.5	22.2	11.1	51.0	24.0	27.0	32.0	4.5	68.6	7000	5.2
HRS05150-F	150														4.3
HR10108-F	101.6	44.45	18.0	55	6.5	27.0	11.1	63.0	30.0	33.0	28.6	6.3	78.5	8000	6.9
HR15208-F	152.4	50.8	20.0	65	7.0	30.0		66.0	31.5	34.5	38.0				8.1
HR10011-F	100	50.0	20.0	65	6.5	30.0	14.3	68.0	32.0	36.0	38.0	6.3	112.8	11500	10.2
HR15011-F	150														7.7
HR10113-F	101.6	44.5	20.0	60	7.0	31.6	15.8	81.3	37.3	44.0	38.1	7.9	132.4	13500	10.7
HR15215-F	152.4	57.2	25.0	75	9.0	37.1	15.8	87.5	40.0	47.5	44.5	7.9	186.3	19000	12.4
HR20015-F	200	65.0	24.0	85	8.0										11.5
HR25015-F	250					10.4									
HR20019-F	200	80.0	34.0	105	12.0	51.4	18.9	111.3	51.5	59.8	50.8	9.5	245.2	25000	20.0
HR25019-F	250														17.3
HR30019-F	300														15.7
HR25026-F	250	100.0	38.0	130	13.0	57.2	22.1	119.6	55.4	64.2	63.5	9.5	313.8	32000	26.7
HR30026-F	300														24.0
HR45026-F	450														19.1
HR30048-F	300	125.0	42.0	160	14.0	66.7	25.3	143.7	67.6	76.1	76.2	12.7	475.6	48500	41.9
HR45048-F	450														32.9
HR60048-F	600														28.5
HR30054-F	300	140.0	49.0	180	16.5	77.0	31.6	169.3	81.6	87.7	76.2	16.0	529.6	54000	55.2
HR45054-F	450														43.2
HR60054-F	600														37.0