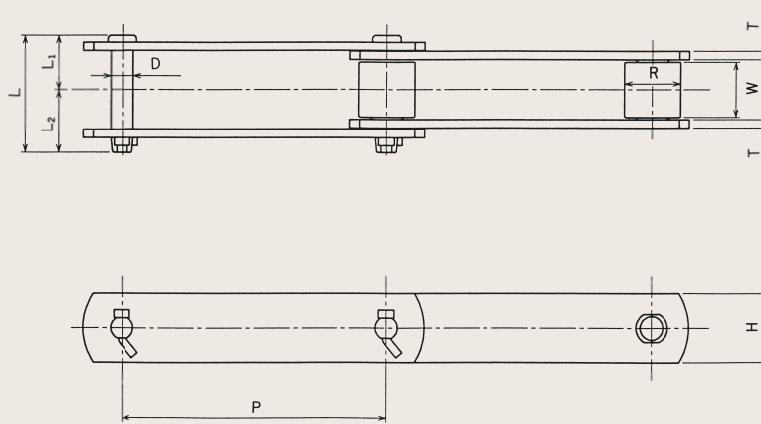


Standard Conveyor Chains

Standard Conveyor Chains (S Roller type)



Chain No.	Pitch P (mm)	Roller Outer Dia. R (mm)	Inner Width W (mm)	Pin			Link Plate		Average Tensile Strength		Mass (kg/m)				
				Dia. D (mm)	Length		Height H (mm)	Thickness T (mm)	(kN)	(kgf)					
					L (mm)	L ₁ (mm)						L ₂ (mm)			
HRS03075-S	75	15.9	16.1	7.9	36.4	17.1	19.3	22.0	3.2	29.4	3000	1.8			
HRS03100-S	100											1.6			
HRS03150-S	150											1.2			
HRS05075-S	75	22.2	22.2	11.1	51.0	24.0	27.0	32.0	4.5	68.6	7000	4.2			
HRS05100-S	100											3.8			
HRS05150-S	150											3.3			
HR10105-S	101.6	22.2	27.0	9.5	51.0	24.0	27.0	25.4	4.8	53.9	5500	3.0			
HR6608-S	66.27											5.6			
HR10108-S	101.6											4.6			
HR15208-S	152.4	25.8	30.0	11.1	66.0	31.5	34.5	38.0	6.3	78.5	8000	5.7			
HR10011-S	100	30.0	30.0		68.0	32.0	36.0	38.0				6.3	112.8	11500	7.0
HR15011-S	150				5.8										
HR7813-S	78.11	31.8	37.1	15.8	87.5	40.0	47.5	38.1	7.9	132.4	13500	10.4			
HR10113-S	101.6		31.6		81.3	37.3	44.0					8.6			
HR15215-S	152.4		9.0												
HR20015-S	200	34.9	37.1	15.8	87.5	40.0	47.5	44.5	7.9	186.3	19000	8.3			
HR25015-S	250											7.8			
HR15219-S	152.4											39.7	37.1	18.9	97.1
HR20019-S	200	12.4													
HR25019-S	250	51.4	111.3	51.5	59.8	11.2									
HR30019-S	300	10.6													
HR20026-S	200	44.5	57.2	22.1	119.6	55.4	64.2	63.5	9.5	313.8	32000	16.5			
HR25026-S	250											14.8			
HR30026-S	300											14.2			
HR45026-S	450											12.5			
HR30048-S	300	50.8	66.7	25.3	143.7	67.6	76.1	76.2	12.7	475.6	48500	23.3			
HR45048-S	450											20.6			
HR60048-S	600											19.2			
HR30054-S	300	57.2	77.0	31.6	169.3	81.6	87.7	76.2	16.0	529.6	54000	29.9			
HR45054-S	450											26.3			
HR60054-S	600											24.4			