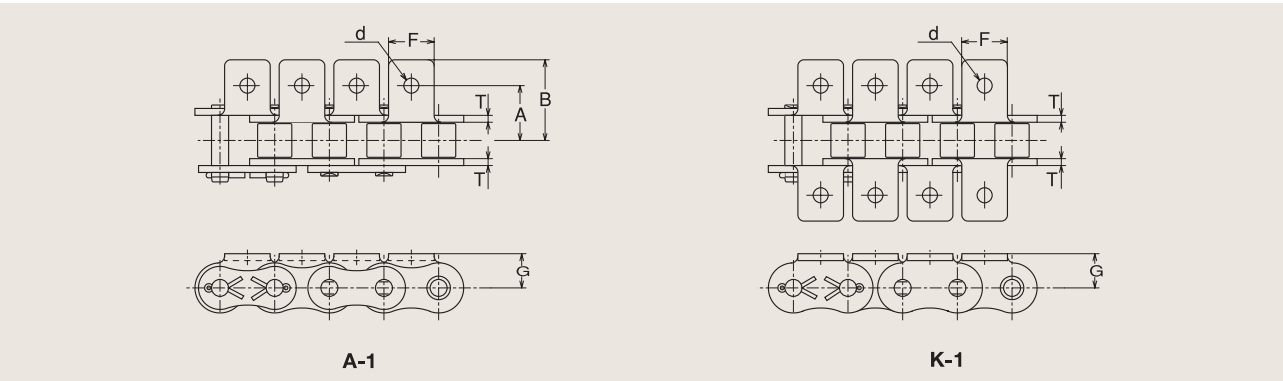


# Steel Conveyor Chains

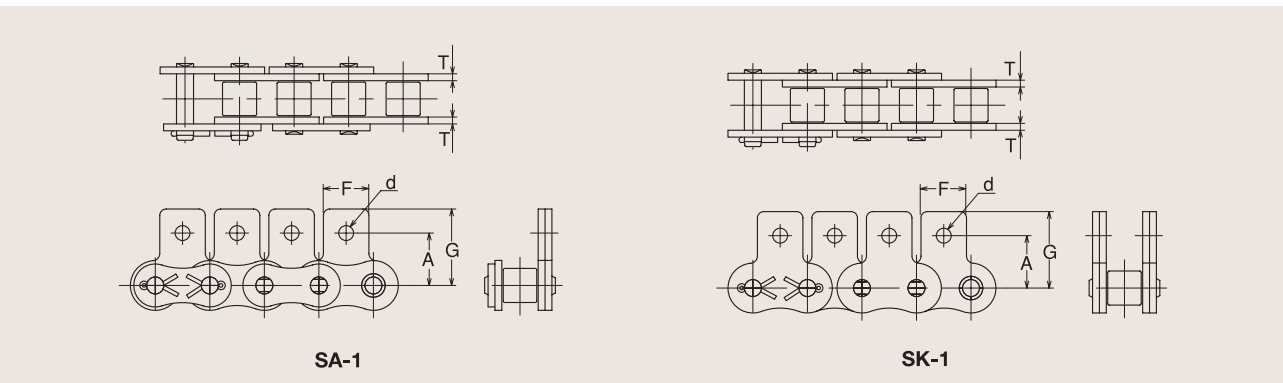
## Attachment types and Dimensions

### A-1, K-1 Attachment

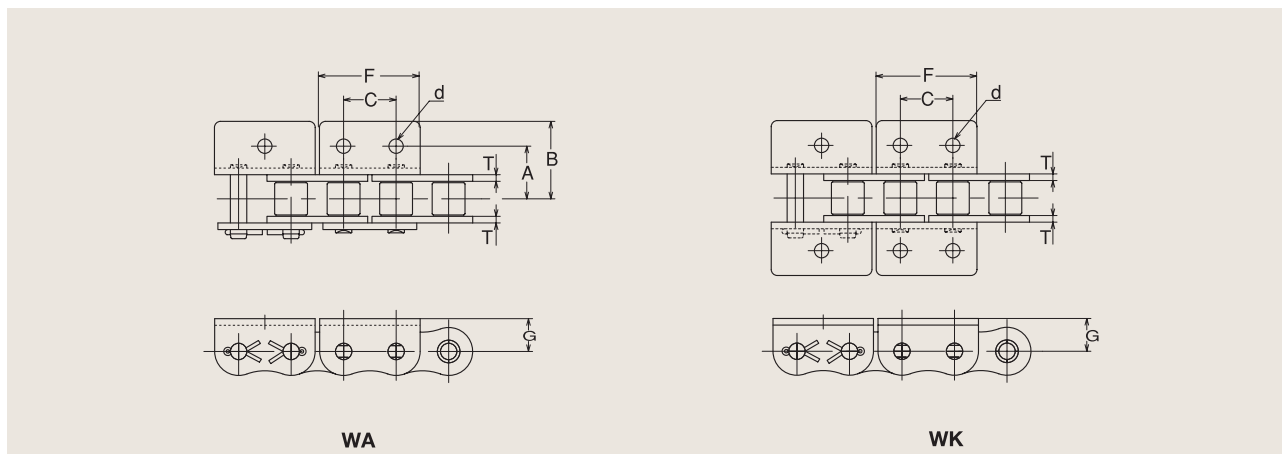


Chain No.	Dimensions (mm)						Added Mass per Attachment (g)	
	A	B	d	F	G	T	A-1	K-1
35	9.5	14.3	3.4	7.9	6.4	1.25	0.9	1.8
40	12.7	17.3	3.6	9.5	7.9	1.5	1.2	2.4
50	15.9	23.3	5.2	12.7	10.3	2.0	4.0	8.0
60	19.1	28.1	5.2	15.9	11.9	2.4	6.5	13.0
80	25.4	35.9	6.8	19.1	15.9	3.2	13.0	26.0
100	31.8	44.3	8.8	25.4	19.8	4.0	27.0	54.0
120	38.1	54.7	10.5	28.6	23.0	4.8	47.0	94.0
140	44.5	63.2	12.0	34.7	28.6	5.6	65.0	130.0
160	50.8	71.9	14.0	38.1	31.8	6.4	88.0	176.0

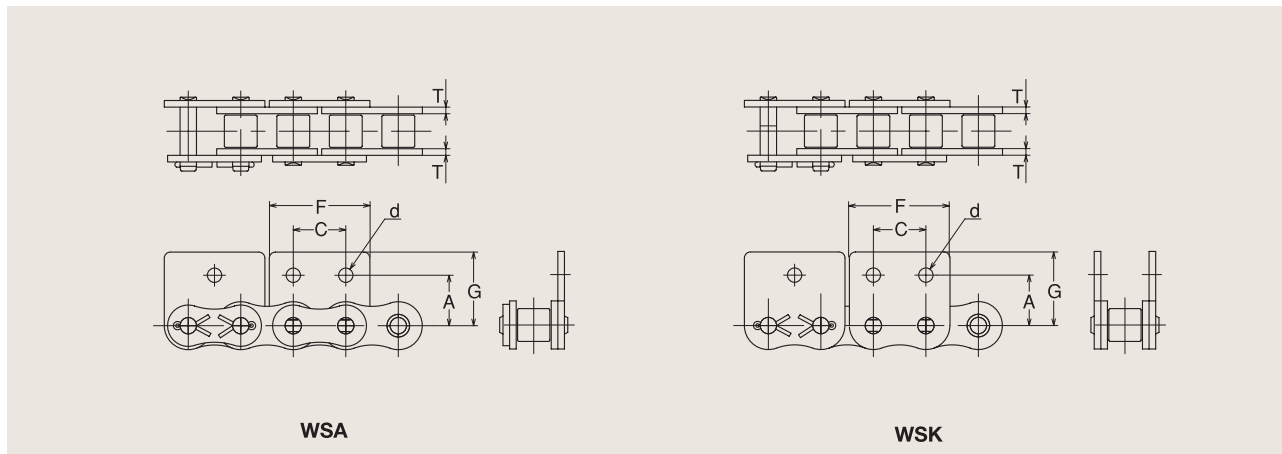
### SA-1, SK-1 Attachment



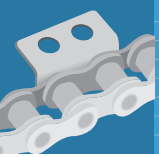
Chain No.	Dimensions (mm)					Added Mass per Attachment (g)	
	A	d	F	G	T	SA-1	SK-1
35	9.5	3.4	7.9	14.5	1.25	0.9	1.8
40	12.7	3.6	9.5	18.5	1.5	1.2	2.4
50	15.9	5.2	12.7	23.0	2.0	4.0	8.0
60	18.3	5.2	15.9	26.7	2.4	6.5	13.0
80	24.6	6.8	19.1	34.5	3.2	13.0	26.0
100	31.8	8.8	25.4	43.0	4.0	27.0	54.0
120	36.6	10.5	28.6	51.4	4.8	47.0	94.0
140	44.4	12.0	34.7	63.1	5.6	65.0	130.0
160	50.8	14.0	38.1	69.5	6.4	88.0	176.0

**WA-1, WA-2, WK-1, WK-2 Attachment**


Chain No.	Dimensions (mm)							Added Mass per Attachment (g)	
	A	B	C	d	F	G	T	WA-1, WA-2	WK-1, WK-2
40	12.7	17.3	12.7	3.6	24.3	7.9	1.5	3.0	6.0
50	15.9	23.3	15.9	5.2	30.4	10.3	2.0	7.0	14.0
60	19.1	28.1	19.1	5.2	36.5	11.9	2.4	12.0	24.0
80	25.4	35.9	25.4	6.8	48.6	15.9	3.2	28.0	56.0
100	31.8	44.3	31.8	8.8	61.0	19.8	4.0	55.0	110.0

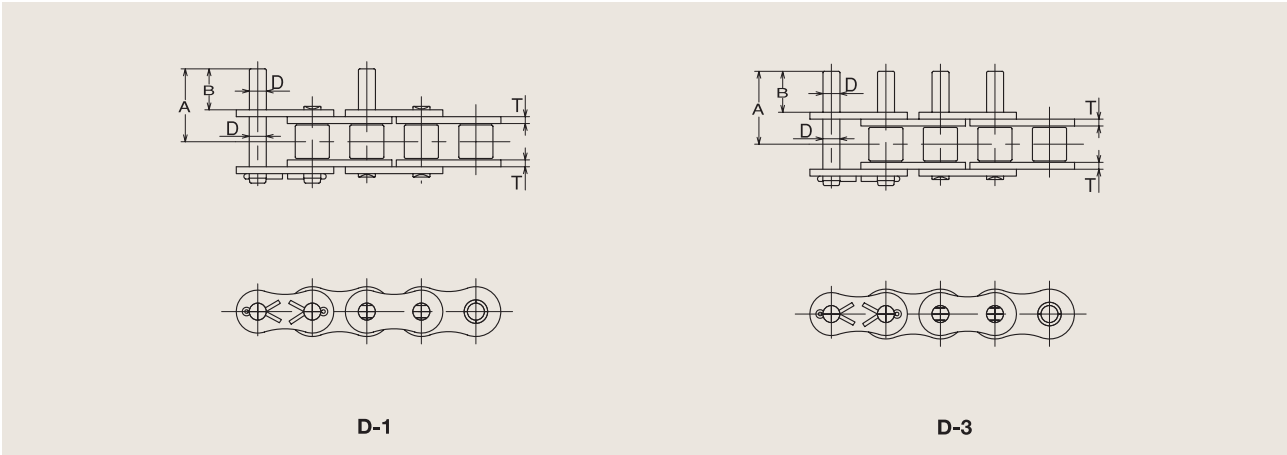
**WSA-1, WSA-2, WSK-1, WSK-2 Attachment**


Chain No.	Dimensions (mm)						Added Mass per Attachment (g)	
	A	C	d	F	G	T	WSA-1, WSA-2	WSK-1, WSK-2
40	12.7	12.7	3.6	24.3	17.3	1.5	3.0	6.0
50	15.9	15.9	5.2	30.4	23.1	2.0	7.0	14.0
60	18.3	19.1	5.2	36.5	27.1	2.4	12.0	24.0
80	24.6	25.4	6.8	48.6	34.5	3.2	28.0	56.0
100	31.8	31.8	8.8	61.0	43.0	4.0	55.0	110.0



# Steel Conveyor Chains

## D-1, D-3 Attachment



Chain No.	Dimensions (mm)				Added Mass per Attachment (g)	
	A	B	D	T	D-1	D-3
35	14.7	9.5	3.58	1.25	0.8	1.6
40	16.8	9.5	3.96	1.5	1.0	2.0
50	21.0	11.9	5.08	2.0	2.0	4.0
60	25.9	14.3	5.95	2.4	3.0	6.0
80	33.9	19.1	7.93	3.2	7.0	14.0
100	41.9	23.8	9.53	4.0	12.0	24.0
120	51.4	28.6	11.10	4.8	20.0	40.0
140	57.5	33.3	12.70	5.6	30.0	60.0
160	67.4	38.1	14.28	6.4	45.0	90.0