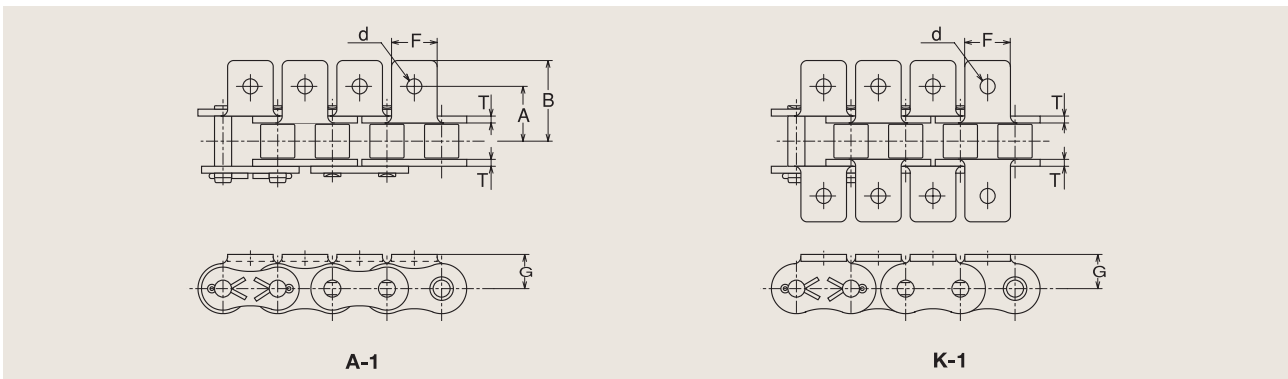


# Steel Conveyor Chains

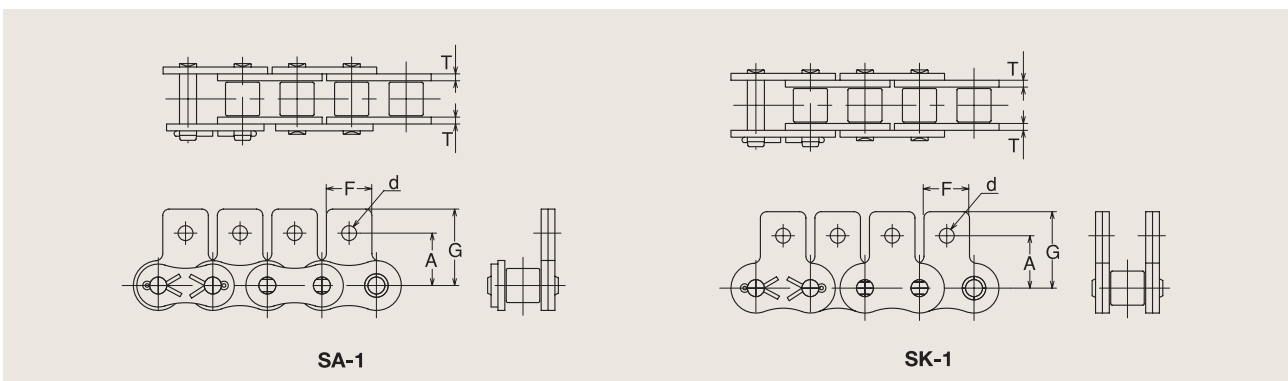
## Attachment types and Dimensions

### A-1, K-1 Attachment



Chain No.	Dimensions (mm)						Added Mass per Attachment (g)	
	A	B	d	F	G	T	A-1	K-1
35SS	9.5	14.5	3.4	7.9	6.4	1.25	0.9	1.8
40SS	12.7	17.5	3.6	9.5	8.0	1.5	1.3	2.6
50SS	15.9	23.5	5.2	12.7	10.3	2.0	3.2	6.4
60SS	19.1	28.2	5.2	15.9	11.9	2.4	5.9	11.8
80SS	25.4	36.0	6.8	19.1	15.9	3.2	13.5	27.0
100SS	31.8	44.5	8.8	25.2	19.8	4.0	19.5	39.0
120SS	38.1	55.0	10.5	28.3	23.0	4.8	31.0	62.0
140SS	44.5	63.5	12.0	34.9	28.6	5.6	65.0	130.0
160SS	50.8	72.8	14.0	38.1	31.8	6.4	88.0	176.0

### SA-1, SK-1 Attachment



Chain No.	Dimensions (mm)					Added Mass per Attachment (g)	
	A	d	F	G	T	SA-1	SK-1
35SS	9.5	3.4	7.9	14.7	1.25	0.9	1.8
40SS	12.7	3.6	9.5	18.8	1.5	1.3	2.6
50SS	15.9	5.2	12.7	23.0	2.0	3.2	6.4
60SS	18.3	5.2	15.9	26.7	2.4	5.9	11.8
80SS	24.6	6.8	19.1	34.5	3.2	13.5	27.0
100SS	31.8	8.8	25.2	43.0	4.0	19.5	39.0
120SS	36.5	10.5	28.3	51.4	4.8	31.0	62.0
140SS	45.6	12.0	34.9	63.4	5.6	65.0	130.0
160SS	51.2	14.0	38.1	70.4	6.4	88.0	176.0