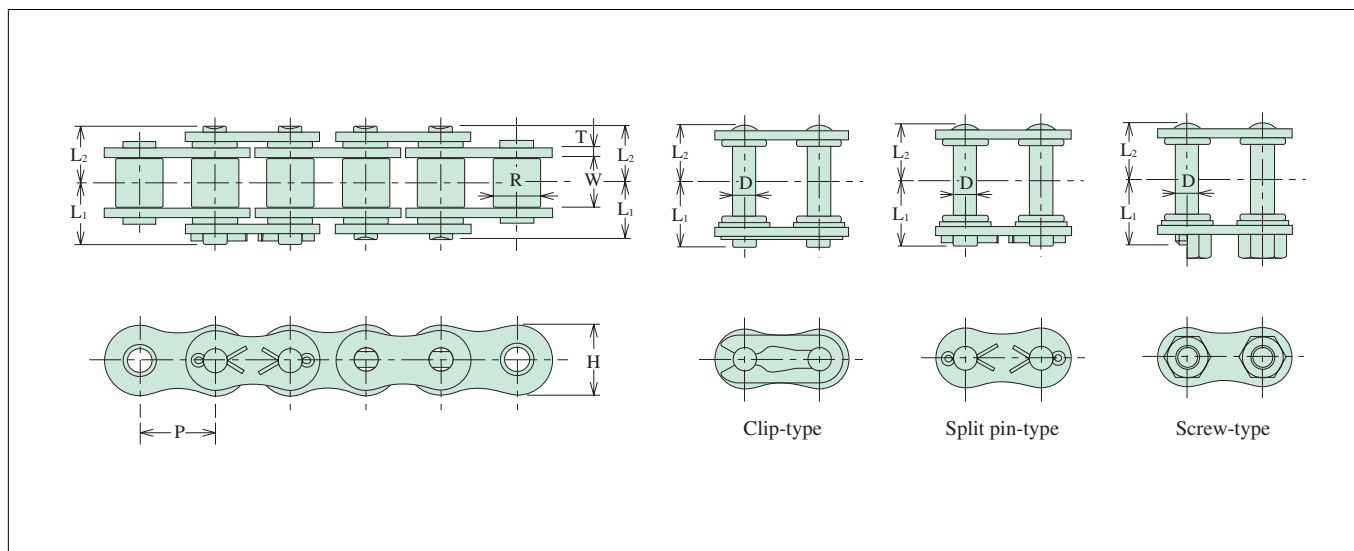


## Lubeless Chains (O-ring Chain)

Loss of oil coverage between pins and bushes is one factor controlling the lifespan of a chain. O-ring chains are equipped with O-rings to prevent this loss of oil coverage. Therefore, these chains are suitable for use in situations where it is difficult or impossible to oil the chain, in environments where oiling (lubricant oil) is not tolerated, or in very dusty environments.



Chain No.	Dimensions - mm								Minimum Ultimate Strength		Maximum Allowable Load		Weight kg/m
	Pitch P	Roller		Pin		Plate							
		Width W	Dia. R	Dia. D	Length L1, L2	Height H	Thickness T	kN	kgf	kN	kgf		
40BO	12.70	7.94	7.94	3.96	9.70	9.70	12.00	1.50	18.10	1850	3.33	340	0.67
50BO	15.875	9.50	10.16	5.08	11.45	11.45	15.00	2.00	31.40	3200	5.88	600	1.11
60BO	19.05	12.70	11.91	5.95	14.30	14.30	17.80	2.40	44.60	4550	8.23	840	1.60
80BO	25.40	15.88	15.88	7.93	18.70	18.70	23.00	3.20	70.60	7200	13.70	1400	2.72
100BO	31.75	19.05	19.05	9.53	22.10	22.10	29.70	4.00	116.00	11800	20.50	2100	4.27
120BO	38.10	25.40	22.23	11.10	31.50	28.30	35.30	4.80	157.00	16000	28.40	2900	6.18
140BO	44.45	25.40	25.40	12.70	34.70	30.75	42.20	5.60	204.00	20800	37.20	3800	7.97
160BO	50.80	31.75	28.58	14.28	41.00	36.65	48.20	6.40	258.00	26300	49.00	5000	10.32
180BO	57.15	35.72	35.71	17.46	46.00	41.05	54.20	7.20	332.00	33900	56.80	5800	13.99
200BO	63.50	38.10	39.69	19.84	50.30	44.80	60.30	8.00	425.00	43300	66.60	6800	17.93
240BO	76.20	47.63	47.63	23.81	61.30	54.85	72.40	9.60	629.00	64170	92.10	9400	25.48
C2040BO	25.40	7.94	7.94	3.96	11.45	9.70	12.00	1.50	16.70	1700	3.33	340	0.51
C2050BO	31.75	9.53	10.16	5.08	13.60	11.45	15.00	2.00	27.50	2800	5.88	600	0.84
C2060BO	38.10	12.70	11.91	5.95	18.65	15.55	17.00	3.20	44.60	4550	8.23	840	1.43
C2080BO	50.80	15.88	15.88	7.94	19.35	19.35	23.00	4.00	70.60	7200	13.70	1400	2.44

Note: ※ 1. Offset links are not available.

2. Clip-type connecting links are supplied for 40BO-80BO, Split pin-type for 100BO and C2040BO-C2080BO and Screw-type for 120BO-240BO.

### Caution

O-ring chains have lubricant oil seal between pin and bush. Caution must be taken not to spill the sealed oil when assembling or disassembling chain. The chain is worn out rapidly in case that the oil leaks out.