

由于本公司持续的产品升级造成的内容变更,恕不另行通知
The content changes caused by company's continuous product upgrades,will not be notified.

版本version:KL20-393



科力尔电机集团股份有限公司

KELI MOTOR GROUP CO.,LTD.

罩极电机产品目录

SHADED POLE MOTOR CATALOG



官方公众号



官方网址

地址: 湖南省祁阳县黎家坪镇南正北路49号
NO.49 Nanzheng North Road Lijiaping Qiyang Hunan

电话: 0086 755 23699106

Tel: 0086 755 23699106

传真: 0086 755 81858899

Fax: 0086 755 81858899

邮箱: market@kelimotor.com

Email: market@kelimotor.com

网址: <https://www.kelimotor.com/>

Http: <https://www.kelimotor.com/>

邮编: 426181

P.C.: 426181



目录

CONTENTS

| | | |
|----|--------------------------------|----|
| 01 | 事业部介绍 DIVISION INTRODUCTION | 01 |
| 02 | 产品应用 Product Applications. | 03 |
| 03 | 产品介绍 Product Descriptions. | 07 |



求真务实 · 精益求精 · 勇于创新

Seeking truth and being pragmatic
Keep improving · Be brave to innovate



技术沉淀30年

30

产品远销至50个国家

50

电机累计发货6亿台

600000000

事业部介绍

DIVISION INTRODUCTION

科力尔始创于1992年，迄今已成为中国最大的微特电机研发、制造和出口企业之一，其中罩极电机产销量全国第一，并于2017年8月17日在深圳证券交易所挂牌上市，股票代码:002892。

家电事业部主要设计、研发、生产和销售高性能罩极电机。产品广泛应用于厨房电器、家用电器和监控与护理电器等领域中。具体电器产品有微波炉、电磁炉、烤箱、冰箱、咖啡机、暖风机、洗衣机、饮水机、中央空调、医疗雾化器、空气净化器等。罩极电机产销量连续多年全国排名第一，远销国内外享誉全球，是细分行业的龙头企业。合作伙伴有世界500强企业通用电气、伊莱克斯、惠而浦、松下、阿瑟力克及国内大型电器集团美的、海尔、海信、格兰仕等。

紧凑的结构布局、灵活的供电方式、超低的噪音和震动设计以及高等级的耐高温和防护性能，使得我们的产品深得国内外客户的信赖和赞誉，质优价廉、及时交付是我们的核心竞争力。

Established in 1992, Keli motor has become one of the largest micro motor R&D, manufacturer and exporter in China, it's No.1 in the sales and production capacity of shaded pole motor. The Company has been listed in Shenzhen Stock Exchange Market since August 17th, 2017, with Stock code 002892.

The home appliance division mainly designs, develops, produces and sells high-performance shaded pole motors. These products are widely used in kitchen appliances household appliances, monitoring & care appliances and other fields, including microwave ovens, induction cooking, ovens, refrigeration, coffee machines, heaters, washing machines, water dispensing, central air conditioners, medical nebulizers, air purification. The production and sales of our shaded pole motors have ranked No.1 in share in China for many years. We have earned a reputation for excellence both at home and abroad. Keli is an industry global leader in the shaded pole motor segment. Our customer list includes the world's top 500 companies: including General Electric, Electrolux Whirlpool, Panasonic, Arcelik. Domestic electrical appliance groups such as Midea, Haier, Hisense, and Galanz.

At home and abroad, performance characteristics such as the compact structure, flexible power supply, ultra-low noise and vibration design, high temperature resistance and insulation protection have won trust and praise from our customers. High quality design, competitive pricing, and timely delivery are our competitive core competencies.

产品应用 PRODUCT APPLICATION

产品广泛应用于厨房电器、家用电器和监控与护理电器等领域中。

These products are widely used in kitchen appliances, household appliances, monitoring & care appliances and other fields.



• 冰箱
Refrigeration



• 烤箱
Oven



• 洗衣机
Washing Machine



• 电壁炉
Electric Fireplace



• 微波炉
Microwave Oven



• 风扇
Fan



• 空调
Air Conditioning



• 抽油烟机
Range Hoods

产品应用 PRODUCT APPLICATION

产品广泛应用于厨房电器、家用电器和监控与护理电器等领域中。

These products are widely used in kitchen appliances, household appliances, monitoring & care appliances and other fields.



• 雾化器
Nebulizer



• 商用通风设备
Ventilation Equipment



• 消毒柜
Disinfection Cabinet



• 空气净化器
Air Purifier



• 空气炸锅机
Air Fryer



• 暖风机
Heater



• 燃气热水器
Gas Water Heater



• 排气扇
Exhaust Fan

产品介绍

PRODUCT DESCRIPTION

YJ48系列

YJ48 SERIES



性能参数

Technical Data

- 电压: 100-240V
- Voltage: 100-240v
- 频率: 50/60Hz
- Frequency: 50/60Hz
- 绝缘等级: H
- Insulation class: H
- 寿命: 3000小时以上(含油轴承)
- Life: more than 3000 hours (sleeve bearing)

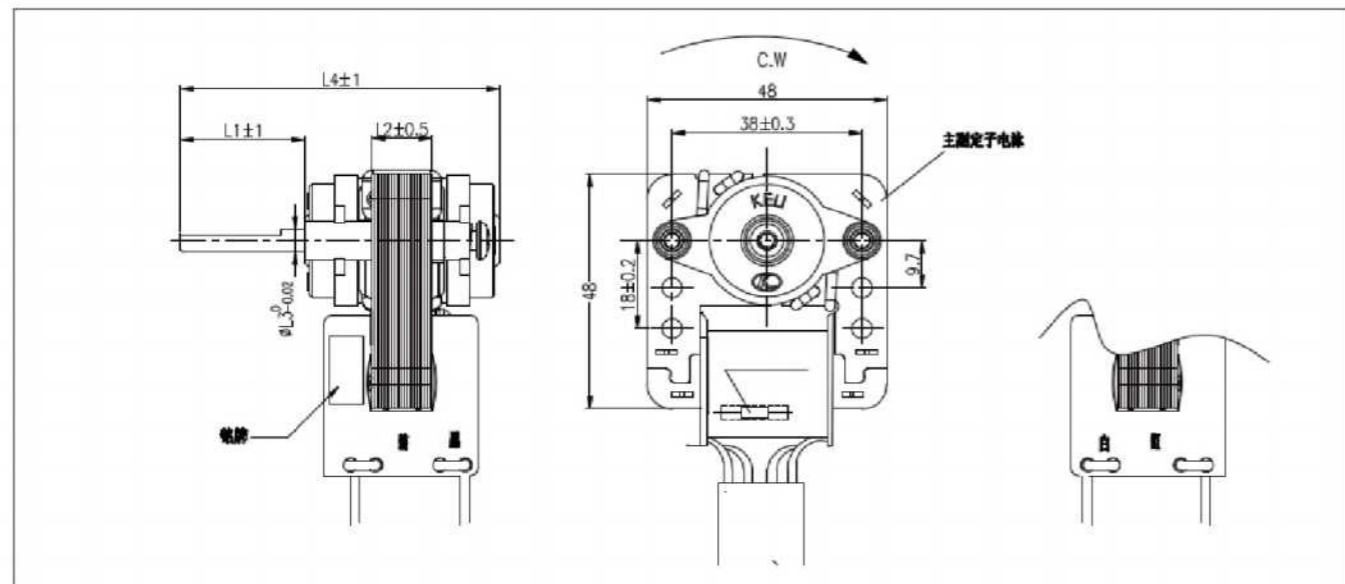
产品应用

Product Application

加湿器
humidifier

外形尺寸

Dimensions



技术参数

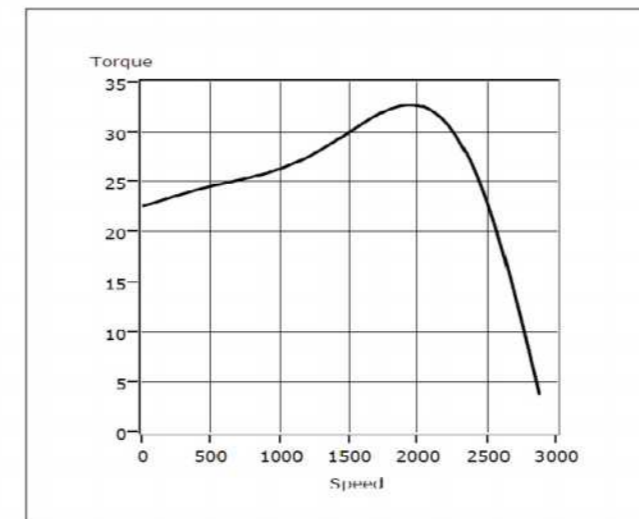
Technical Parameters

| 型号 Model | 尺寸 / Dimensions | | | | 参考性能 / Reference Performance | | | | |
|-------------|-----------------|------|------------|-------|------------------------------|---------------------------|--------------------------------|------------------------------|-------------------------------|
| | L1 | L2 | L3 | L4 | 空载转速 No-load (RPM) | 空载功率 Free power (W) | 负载转速 On load speed (RPM) | 负载功率 On load power (W) | 负载转矩 On load Tor (g.cm) |
| YJ48-08 | 25-45 | 8 | Φ3.17 / Φ4 | 55-68 | 2600 / 3200 | 8 | 2500 | 9 | 40 |
| YJ48-10 | 25-45 | 10 | Φ3.17 / Φ4 | 57-70 | 2600 / 3200 | 9 | 2500 | 10 | 45 |
| YJ48-12 | 25-45 | 12 | Φ3.17 / Φ4 | 60-75 | 2600 / 3200 | 11 | 2550 | 12 | 50 |
| YJ48-16 | 25-45 | 15.5 | Φ3.17 / Φ4 | 60-80 | 2600 / 3200 | 13 | 2600 | 15 | 60 |
| YJ48-20 | 25-45 | 20 | Φ3.17 / Φ4 | 65-85 | 2600 / 3200 | 15 | 2650 | 18 | 80 |
| YJ48-25 | 25-45 | 25 | Φ3.17 / Φ4 | 68-90 | 2600 / 3200 | 18 | 2650 | 22 | 130 |

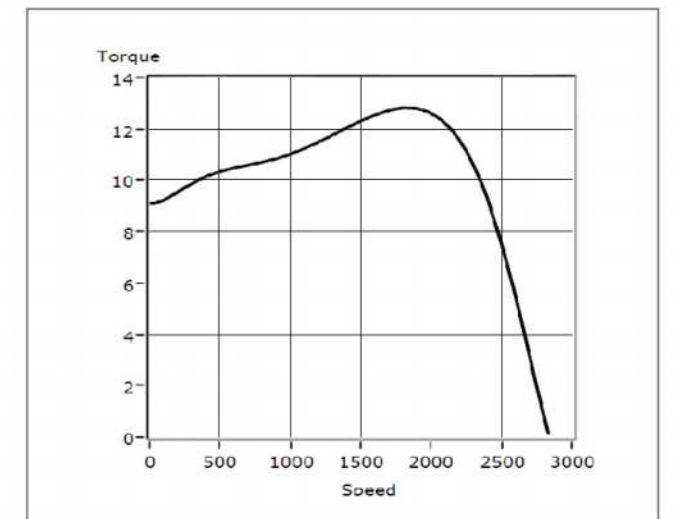
T-S 曲线

T-S Curve

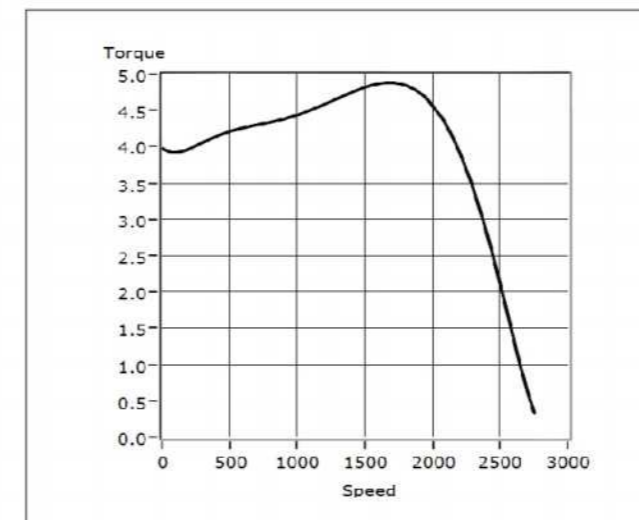
● YJ48-20



● YJ48-12



● YJ48-08



YJ48系列

YJ48 SERIES



性能参数

Technical Data

- 电压:100-240V
- Voltage:100-240v
- 频率:50/60Hz
- Frequency: 50/60Hz
- 绝缘等级:A/E/B
- Insulation class: A/E/B
- 寿命:10000小时以上
- Life: more than 10000 hours

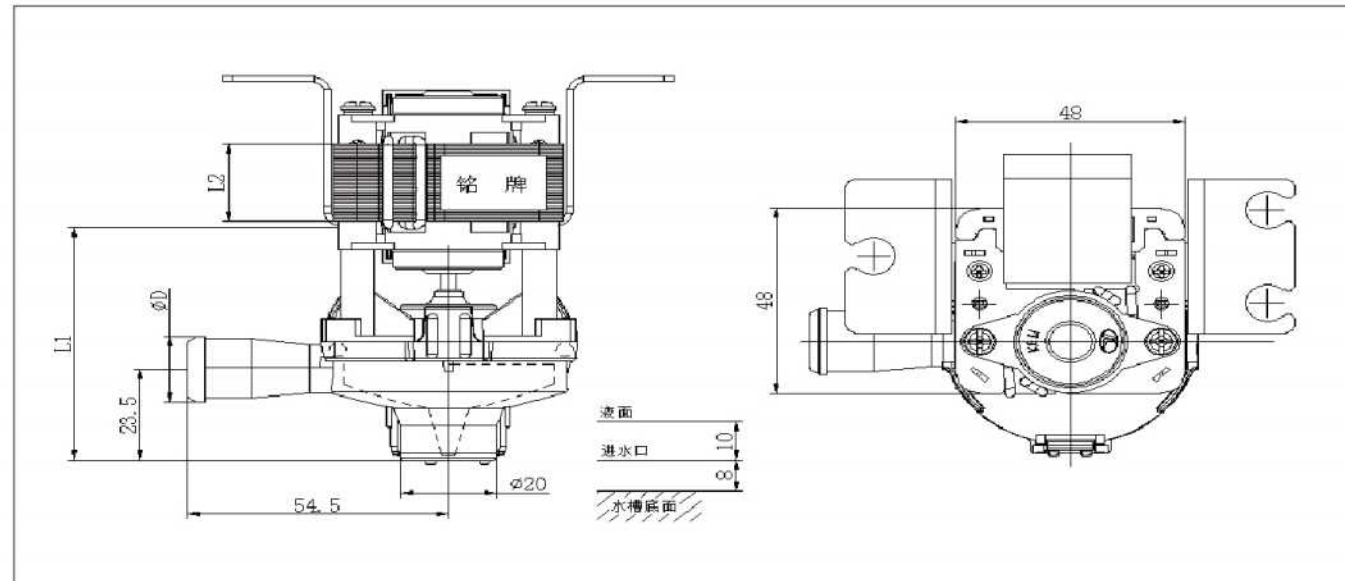
产品应用

Product Application

- 中央空调
central air conditioning
- 移动空调
portable air conditioning

外形尺寸

Dimensions



技术参数

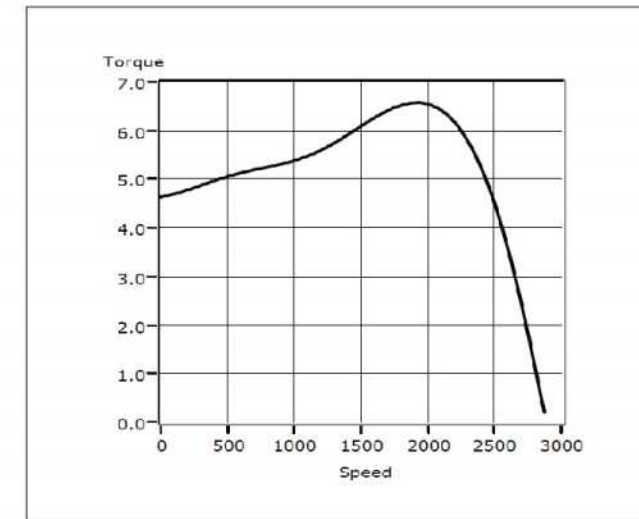
Technical Parameters

| 型号 Model | 尺寸 /Dimensions | | | 参考性能 /Reference Performance | | | | | | | |
|-------------|----------------|------|-------|-----------------------------|---------------------------|--------------------------------|------------------------------|-------------------------------|-------------------------------|---------------------------------|---------------------------------|
| | L1 | L2 | ΦD | 空载转速 No-load (RPM) | 空载功率 Free power (W) | 负载转速 On load speed (RPM) | 负载功率 On load power (W) | 负载转矩 On load Tor (g.cm) | 工作流量 Work flow (ml/Min) | 额定扬程 Rated lift (cm) Min. | 极限扬程 Limit lift (cm) Min. |
| YJ48-16 | 60/80 | 15.5 | 14/17 | 2800 | 6 | 2500 | 9 | 100 | 400 | 700 | 1000 |
| YJ48-20 | 60/80 | 20 | 14/17 | 2800 | 7 | 2500 | 8 | 150 | 500 | 1200 | 1300 |

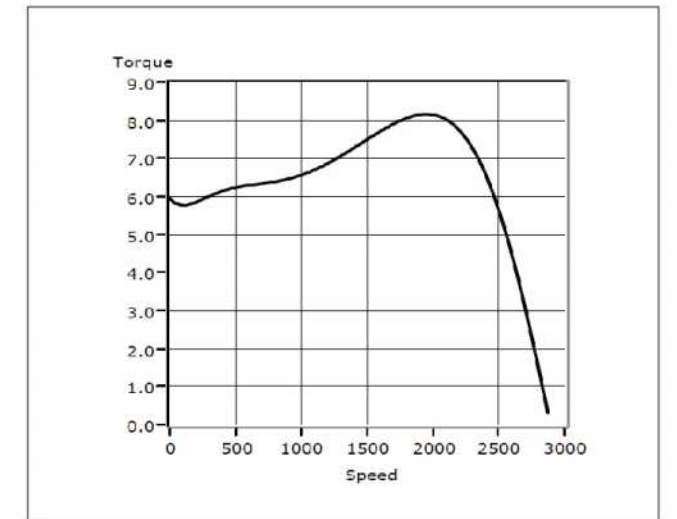
T-S 曲线

T-S Curve

● YJ48-16

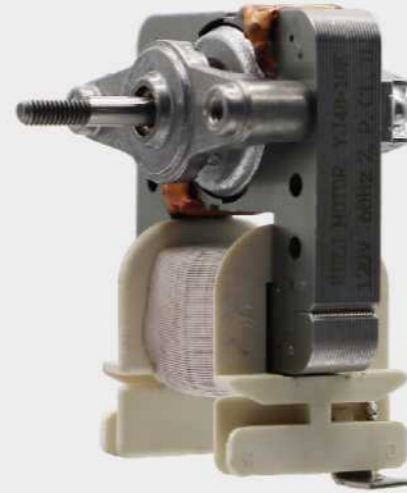


● YJ48-20



YJ48系列

YJ48 SERIES



性能参数

Technical Data

- 电压: 100-240V
- Voltage: 100-240v
- 频率: 50/60Hz
- Frequency: 50/60Hz
- 绝缘等级: H
- Insulation class: H
- 寿命: 1500小时以上(含油轴承)
- Life: more than 1500 hours (sleeve bearing)

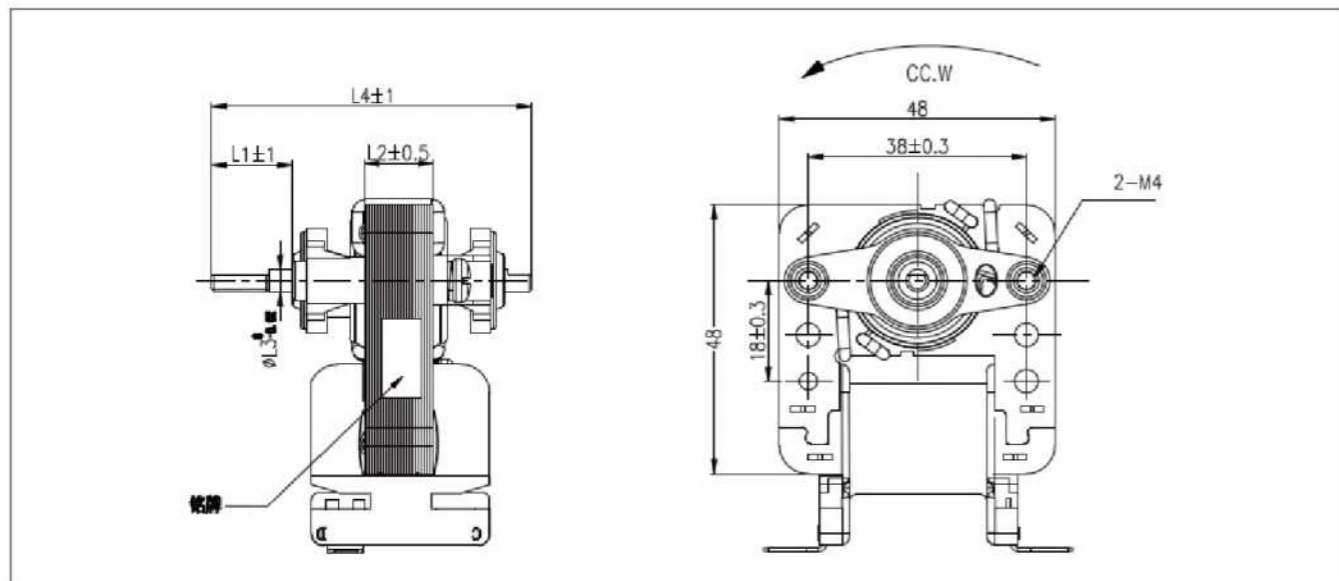
产品应用

Product Application

烤箱
Oven

外形尺寸

Dimensions



技术参数

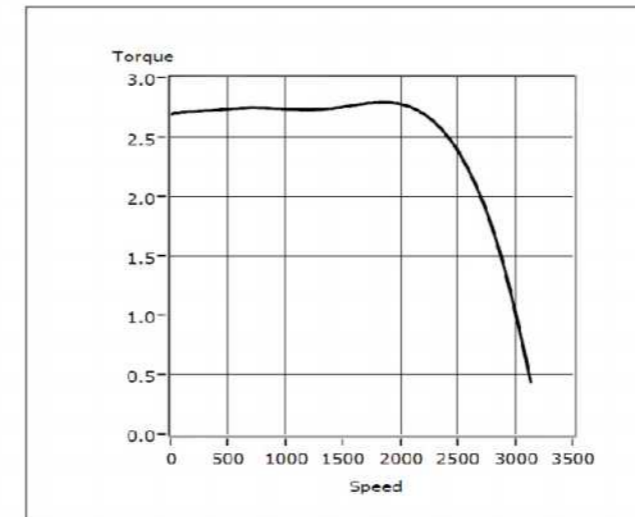
Technical Parameters

| 型号 Model | 尺寸 / Dimensions | | | | 参考性能 / Reference Performance | | | | |
|-------------|-----------------|------|------------|-------|------------------------------|---------------------------|--------------------------------|------------------------------|-------------------------------|
| | L1 | L2 | L3 | L4 | 空载转速 No-load (RPM) | 空载功率 Free power (W) | 负载转速 On load speed (RPM) | 负载功率 On load power (W) | 负载转矩 On load Tor (g.cm) |
| YJ48-8 | 12-45 | 8 | Φ3.17 / Φ4 | 49-88 | 2600 | 8 | 2100 | 9 | 45 |
| YJ48-10 | 12-45 | 10 | | 49-88 | 2600 | 9 | 2200 | 10 | 50 |
| YJ48-12 | 12-45 | 12 | | 49-88 | 2700 | 10 | 2200 | 12 | 55 |
| YJ48-16 | 12-45 | 15.5 | | 49-88 | 2800 | 12 | 2300 | 15 | 60 |
| YJ48-20 | 12-45 | 20 | | 49-88 | 2800 | 14 | 2300 | 18 | 80 |
| YJ48-25 | 12-45 | 20 | | 49-88 | 2800 | 18 | 2450 | 22 | 130 |

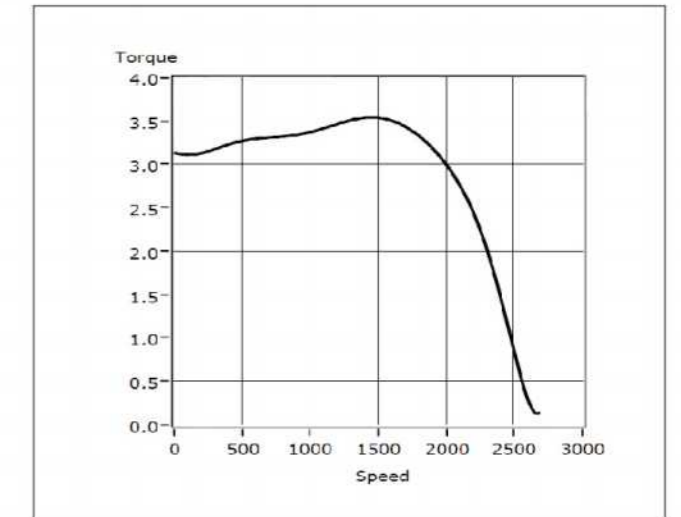
T-S 曲线

T-S Curve

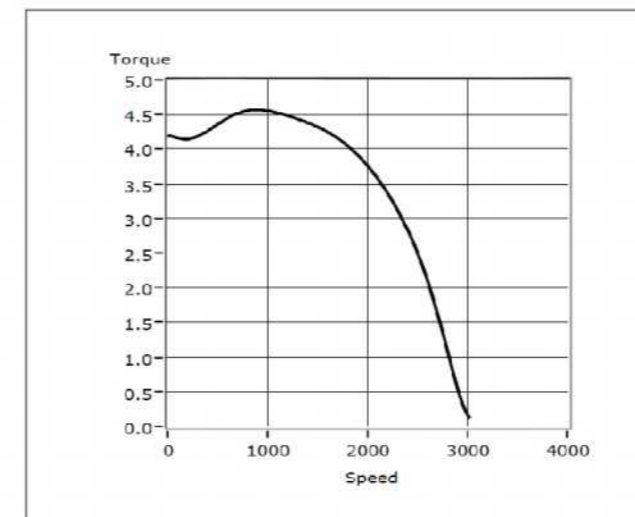
● YJ48-10



● YJ48-12

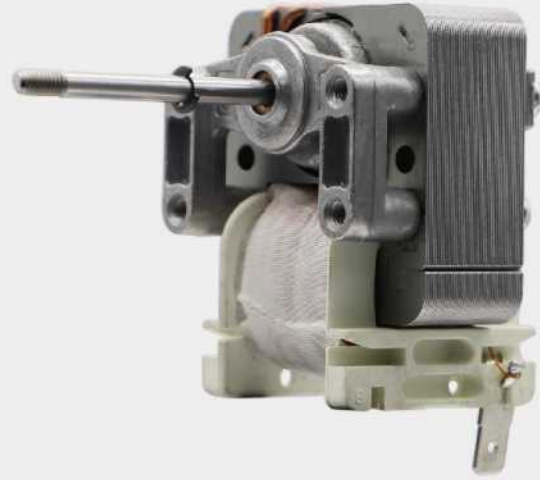


● YJ48-16



YJ48系列

YJ48 SERIES



性能参数

Technical Data

- 电压: 220-240V
- Voltage: 220-240v
- 频率: 50/60Hz
- Frequency: 50/60Hz
- 绝缘等级: H
- Insulation class: H
- 寿命: 1000小时以上(含油轴承)
- Life: more than 1000 hours (sleeve bearing)

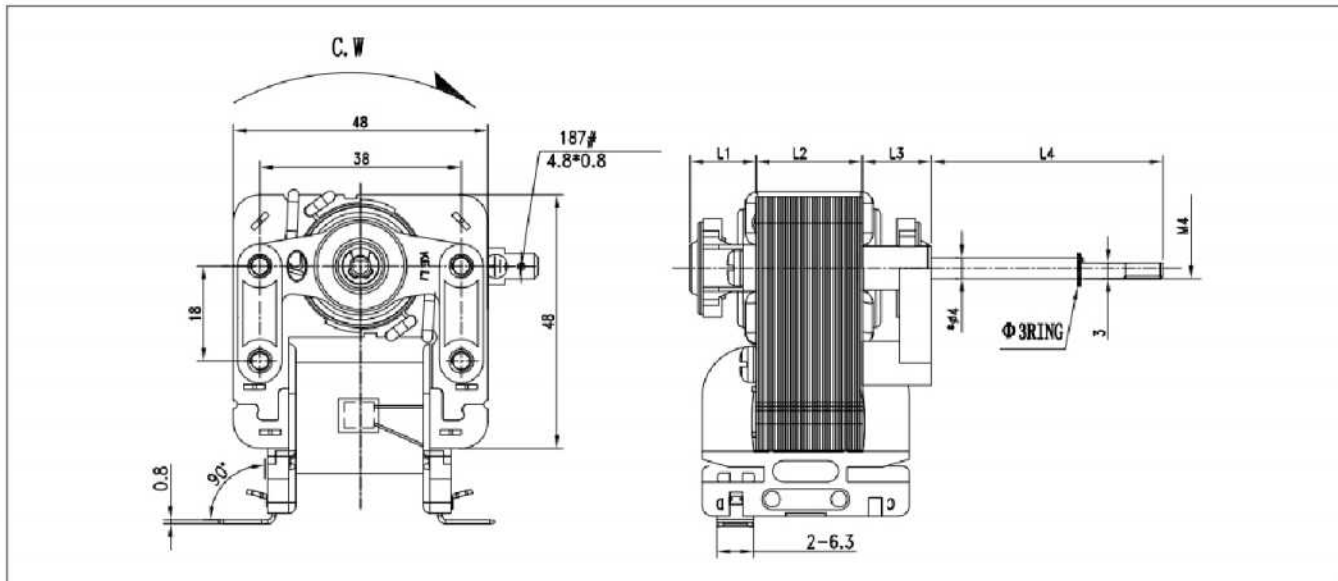
产品应用

Product Application

空气炸锅机
air fryer

外形尺寸

Dimensions



技术参数

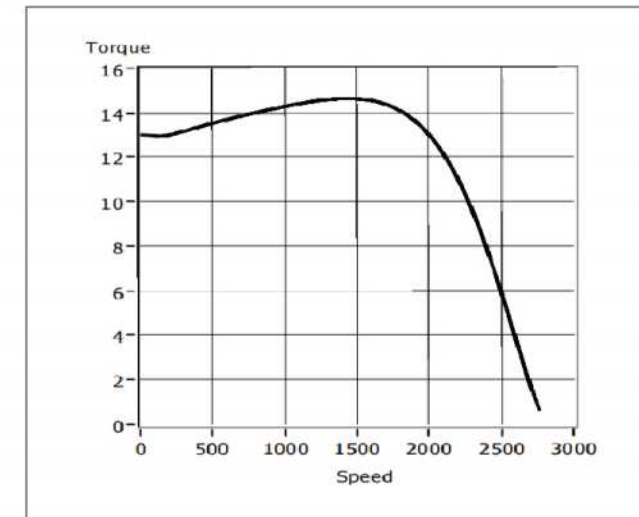
Technical Parameters

| 型号 Model | 尺寸 /Dimensions | | | | 参考性能 /Reference Performance | | | | |
|-------------|----------------|------|------|-------|-----------------------------|---------------------------|--------------------------------|------------------------------|-------------------------------|
| | L1 | L2 | L3 | L4 | 空载转速 No-load (RPM) | 空载功率 Free power (W) | 负载转速 On load speed (RPM) | 负载功率 On load power (W) | 负载转矩 On load Tor (g.cm) |
| YJ48-16 | 12.5 | 15.5 | 13.5 | 30-60 | 2800/3300 | 18 | 2200 | 22 | 120 |
| YJ48-20 | 12.5 | 20 | 13.5 | 30-60 | 2800/3400 | 23 | 2400 | 26 | 160 |

T-S 曲线

T-S Curve

- YJ48-20



YJ55系列

YJ55 SERIES



性能参数

Technical Data

- 电压:100-240V
- 频率:50/60Hz
- 绝缘等级:E/B/F/H
- 寿命:5000小时以上(含油轴承)
- Voltage: 100-240V
- Frequency: 50/60Hz
- Insulation class: E/B/F/H
- Life: more than 5000 hours (sleeve bearing)

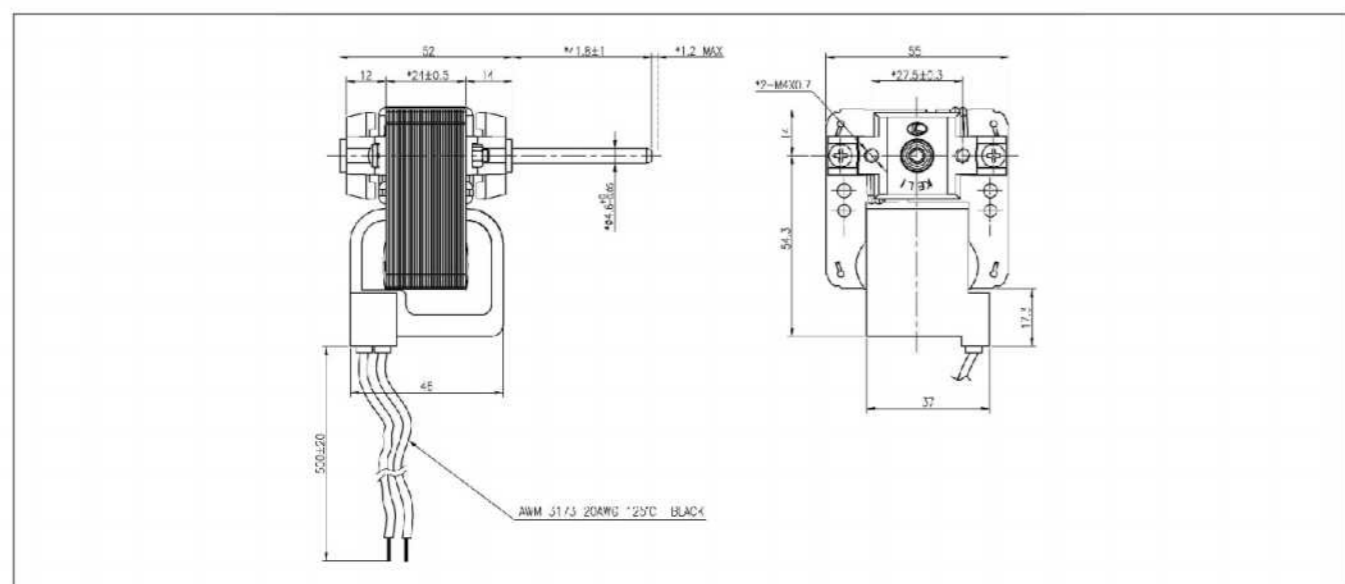
产品应用

Product Application

- 冰箱
refrigerator
- 冰柜
freezer

外形尺寸

Dimensions



技术参数

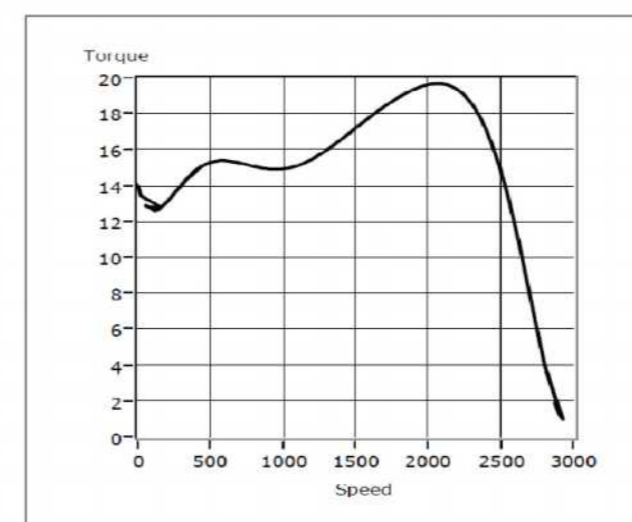
Technical Parameters

| 型号 Model | 参考性能 /Reference Performance | | | | |
|-------------|-----------------------------|---------------------------|--------------------------------|------------------------------|-------------------------------|
| | 空载转速 No-load (RPM) | 空载功率 Free power (W) | 负载转速 On load speed (RPM) | 负载功率 On load power (W) | 负载转矩 On load Tor (g.cm) |
| YJ55-24 | 2600 | 18 | 2200 | 22 | 180 |

T-S 曲线

T-S Curve

- YJ55-24



YJ58系列

YJ58 SERIES



性能参数

Technical Data

- 电压: 100-240V
- Voltage: 100-240 v
- 频率: 50/60Hz
- Frequency: 50/60Hz
- 绝缘等级: A/E/B/F/H
- Insulation class: A/E/B/F/H
- 寿命: 3000小时以上 (含油轴承)
- Life: more than 3000 hours (sleeve bearing)
- 5000小时以上 (滚珠轴承)
- more than 5000 hours (ball bearing)

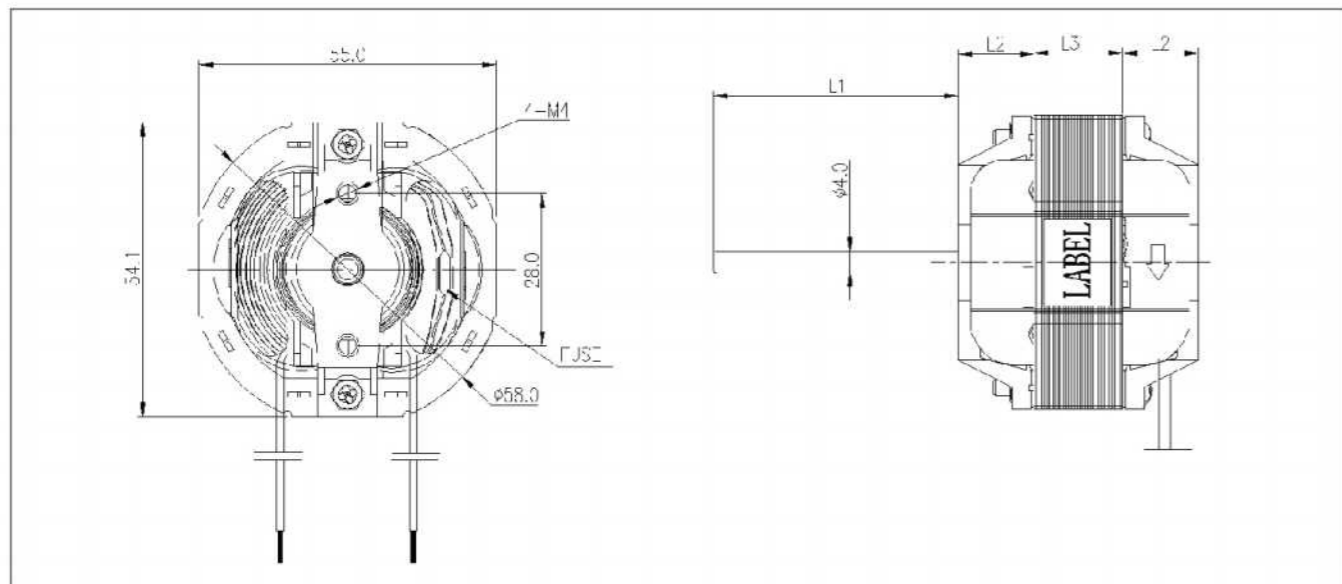
产品应用

Product Application

- 排风扇
exhaust fan
- 暖风机
heater

外形尺寸

Dimensions



技术参数

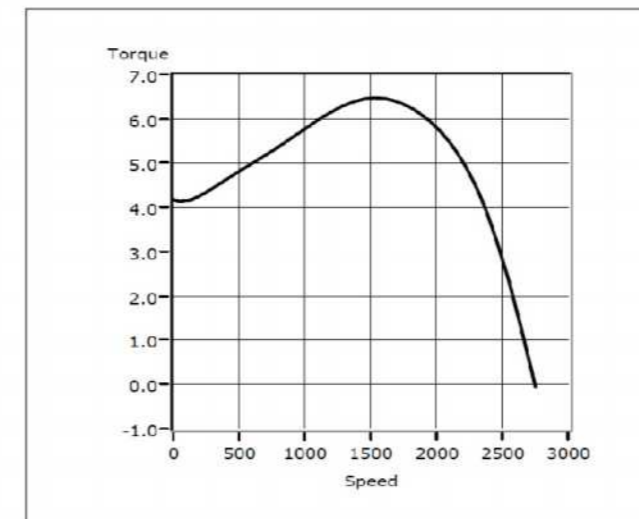
Technical Parameters

| 型号 Model | 尺寸 / Dimensions | | | 参考性能 / Reference Performance | | | | |
|-------------|-----------------|----------------------|------|------------------------------|---------------------------|--------------------------------|------------------------------|-------------------------------|
| | L1 | L2 | L3 | 空载转速 No-load (RPM) | 空载功率 Free power (W) | 负载转速 On load speed (RPM) | 负载功率 On load power (W) | 负载转矩 On load Tor (g.cm) |
| YJ58-10 | 10-60 | 13.0 Or 13.5 Or 14.0 | 10.5 | 2800/3400 | 10 | 2000 | 12 | 50 |
| YJ58-12 | 10-60 | 13.0 Or 13.5 Or 14.0 | 12.5 | 2800/3400 | 12 | 2050 | 15 | 70 |
| YJ58-16 | 10-60 | 13.0 Or 13.5 Or 14.0 | 16.5 | 2800/3400 | 17 | 2200 | 22 | 100 |
| YJ58-20 | 10-60 | 13.0 Or 13.5 Or 14.0 | 20.5 | 2800/3400 | 22 | 2300 | 24 | 130 |
| YJ58-25 | 10-60 | 13.0 Or 13.5 Or 14.0 | 25.5 | 2800/3400 | 28 | 2400 | 28 | 150 |
| YJ58-30 | 10-60 | 13.0 Or 13.5 Or 14.0 | 30.5 | 2800/3400 | 35 | 2350 | 32 | 190 |
| YJ58-35 | 10-60 | 13.0 Or 13.5 Or 14.0 | 35.5 | 2800/3400 | 40 | 2200 | 35 | 210 |

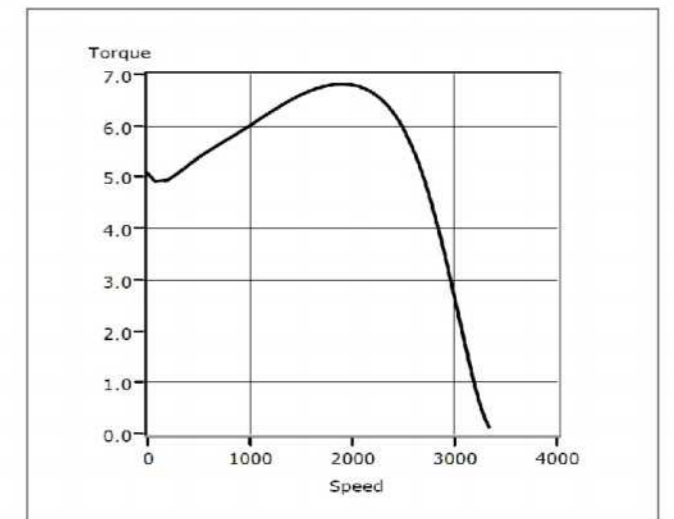
T-S 曲线

T-S Curve

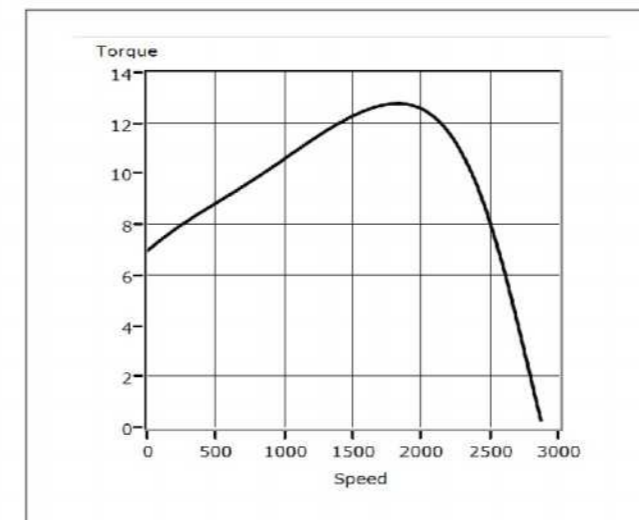
● YJ58-10



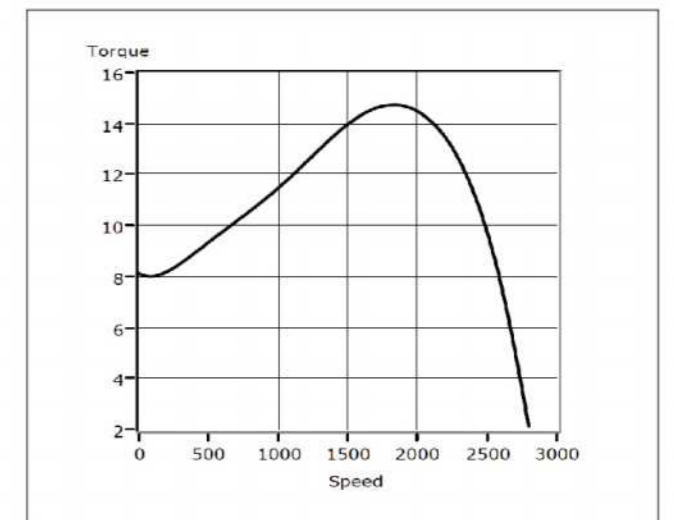
● YJ58-12



● YJ58-16



● YJ58-20



YJ61系列

YJ61 SERIES



性能参数

Technical Data

- 电压:100-400V
- Voltage: 100-400v
- 频率:50/60Hz
- Frequency: 50/60Hz
- 绝缘等级:H/N
- Insulation class: H/N
- 寿命:3000小时以上(含油轴承)
- Life: more than 3000 hours (sleeve bearing)
- 6000小时以上(滚珠轴承)
- more than 6000 hours (ball bearing)

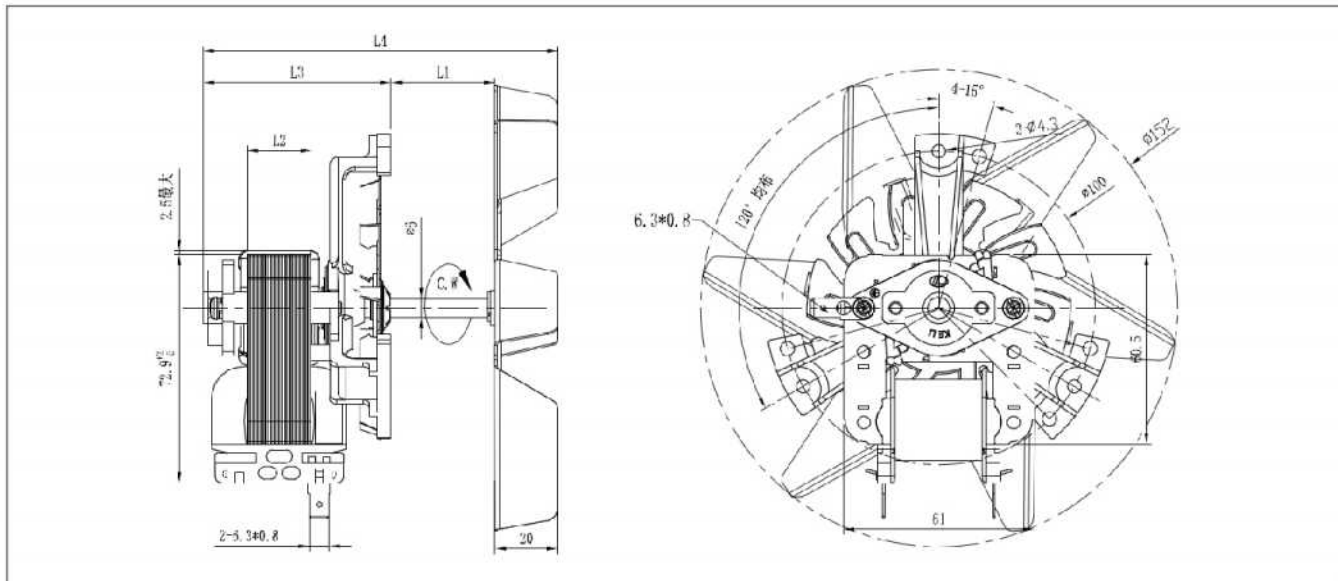
产品应用

Product Application

烤箱
oven

外形尺寸

Dimensions



技术参数

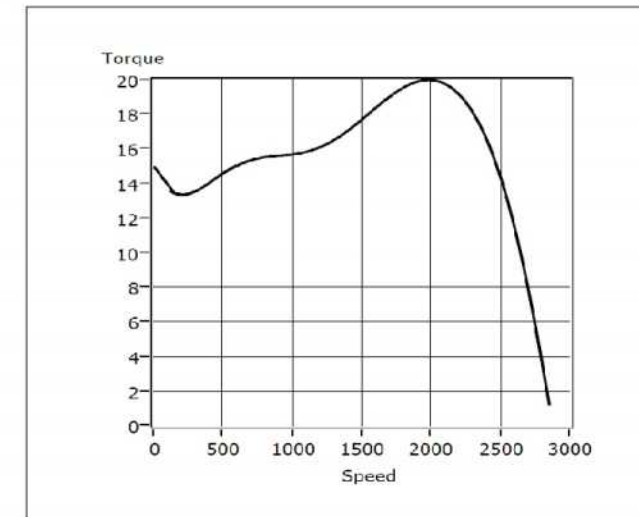
Technical Parameters

| 型号 Model | 尺寸 /Dimensions | | | | 参考性能 /Reference Performance | | | | |
|-------------|----------------|------|----|--------|-----------------------------|---------------------------|--------------------------------|------------------------------|-------------------------------|
| | L1 | L2 | L3 | L4 | 空载转速 No-load (RPM) | 空载功率 Free power (W) | 负载转速 On load speed (RPM) | 负载功率 On load power (W) | 负载转矩 On load Tor (g.cm) |
| YJ61-16 | 15-45 | 15.5 | 50 | 90-120 | 2600/3200 | 21 | 1200 | 28 | 220 |
| YJ61-20 | 15-40 | 20 | 60 | 95-120 | 2600/3200 | 25 | 1500 | 32 | 260 |

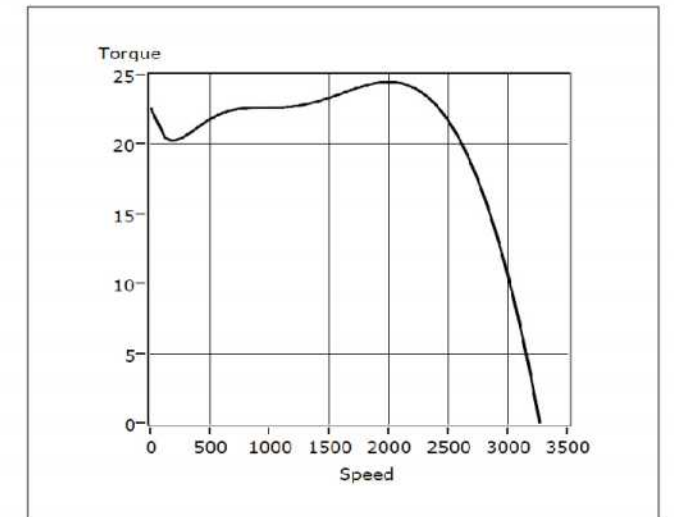
T-S 曲线

T-S Curve

● YJ61-16

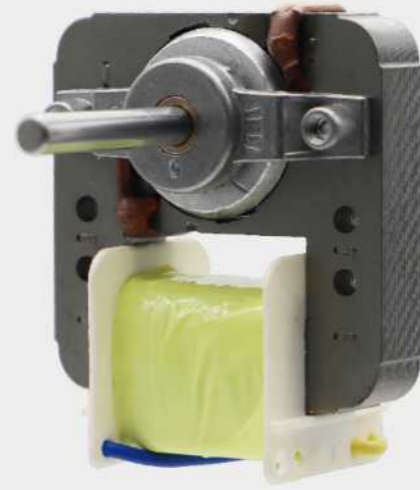


● YJ61-20



YJ61系列

YJ61 SERIES



性能参数

Technical Data

- 电压: 100-240V
- Voltage: 100-240v
- 频率: 50/60Hz
- Frequency: 50/60Hz
- 绝缘等级: A/E/B/F/H
- Insulation class: A/E/B/F/H
- 寿命: 3000小时以上(含油轴承)
- Life: more than 3000 hours (sleeve bearing)
- 5000小时以上(滚珠轴承)
- more than 5000 hours (ball bearing)

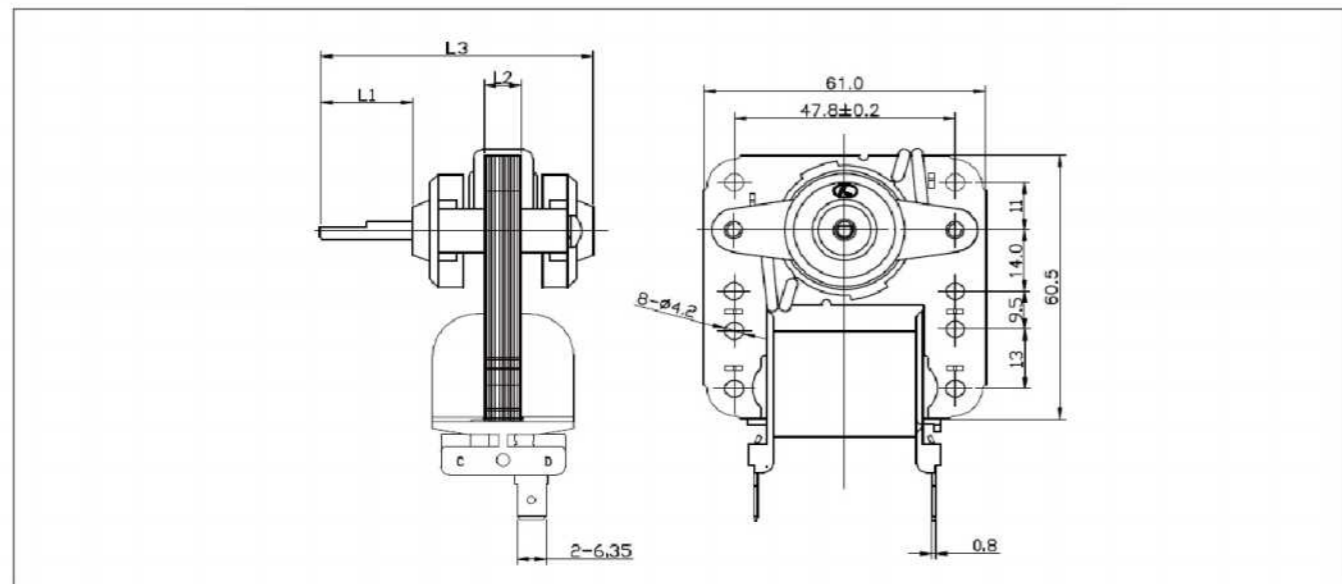
产品应用

Product Application

- 风扇
fan
- 换气扇
ventilation fan

外形尺寸

Dimensions



技术参数

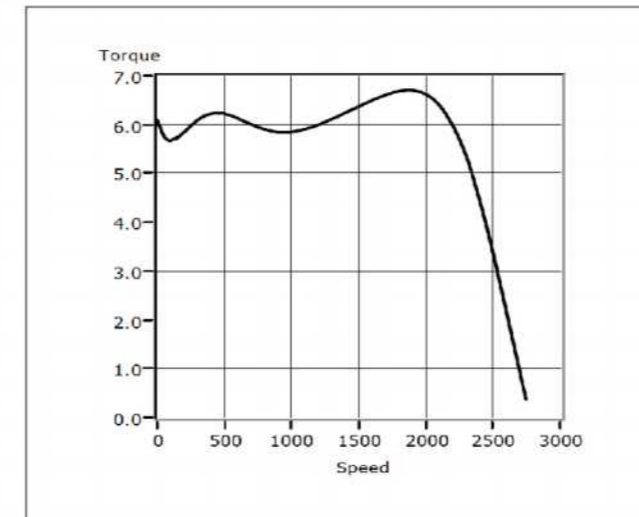
Technical Parameters

| 型号 Model | 尺寸 /Dimensions | | | 参考性能 /Reference Performance | | | | |
|-------------|----------------|------|--------|-----------------------------|---------------------------|--------------------------------|------------------------------|-------------------------------|
| | L1 | L2 | L3 | 空载转速 No-load (RPM) | 空载功率 Free power (W) | 负载转速 On load speed (RPM) | 负载功率 On load power (W) | 负载转矩 On load Tor (g.cm) |
| YJ61-08 | 20-45 | 8 | 50-100 | 2800/3200 | 6 | 1600 | 8 | 60 |
| YJ61-09 | 20-45 | 9.5 | 50-100 | 2800/3200 | 8 | 1800 | 10 | 90 |
| YJ61-10 | 20-45 | 10.5 | 50-100 | 2800/3200 | 9 | 2000 | 12 | 120 |
| YJ61-12 | 20-45 | 12 | 50-100 | 2800/3200 | 12 | 2100 | 15 | 140 |
| YJ61-14 | 20-45 | 13.5 | 50-100 | 2800/3200 | 13 | 2200 | 18 | 180 |

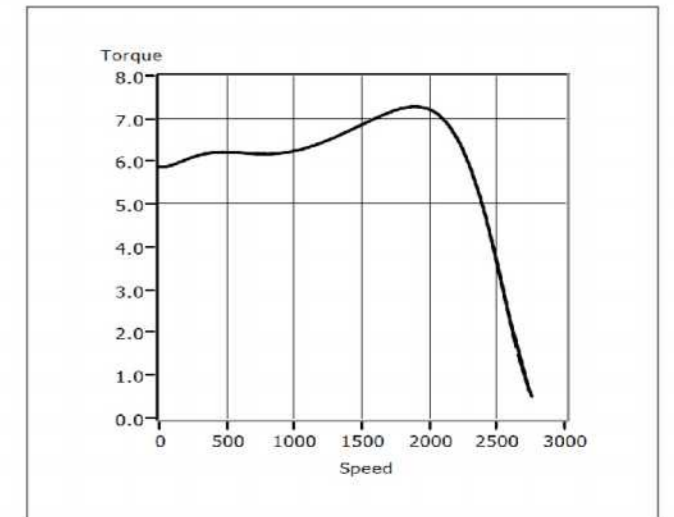
T-S 曲线

T-S Curve

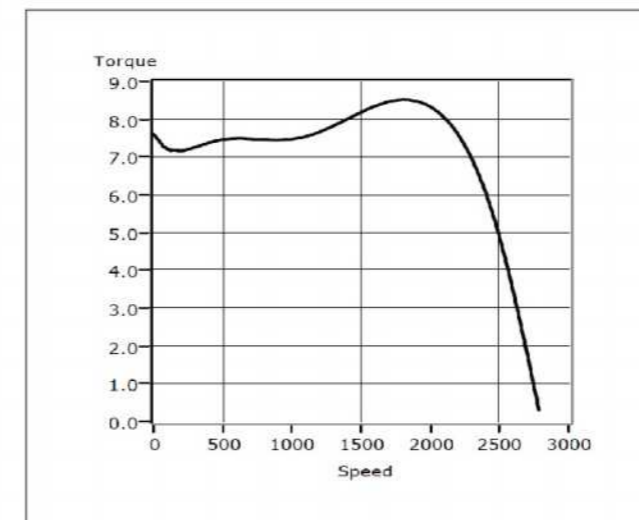
● YJ61-08



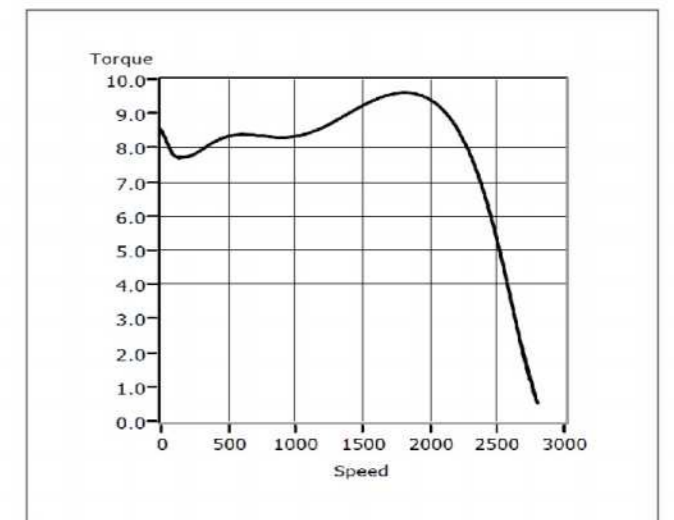
● YJ61-09



● YJ61-10

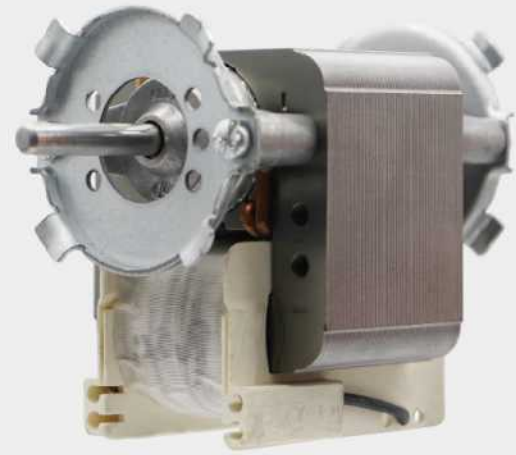


● YJ61-12



YJ61系列

YJ61 SERIES



性能参数

Technical Data

- 电压: 100-240V
- Voltage: 100-240V
- 频率: 50/60Hz
- Frequency: 50/60Hz
- 绝缘等级: B/F/H
- Insulation class: B/F/H
- 寿命: 3000小时以上(含油轴承)
- Life: more than 3000 hours (sleeve bearing)
- 10000小时以上(滚珠轴承)
- more than 10000 hours (ball bearing)

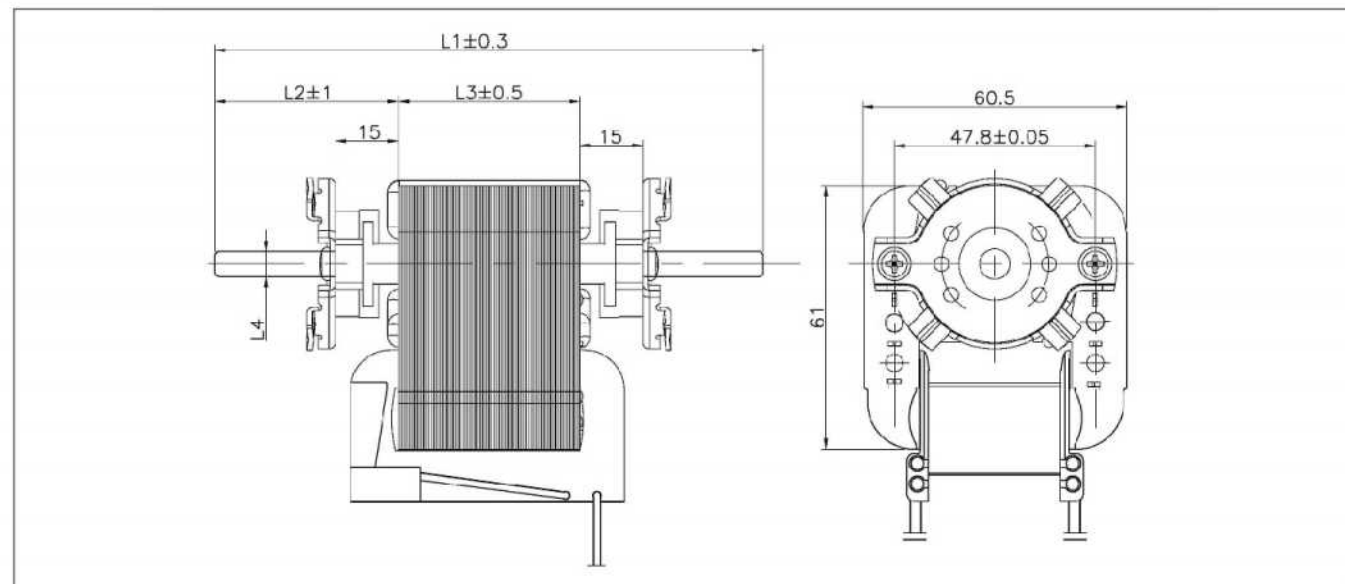
产品应用

Product Application

- 风幕
air curtain
- 壁炉
fireplace

外形尺寸

Dimensions



技术参数

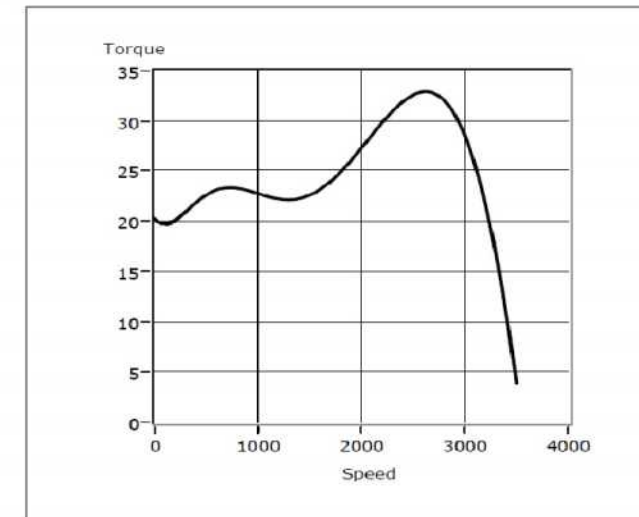
Technical Parameters

| 型号 Model | 尺寸 /Dimensions | | | | 参考性能 /Reference Performance | | | | | |
|-------------|----------------|------|------|-------|-----------------------------|---------------------------|--------------------------------|------------------------------|-------------------------------|-------------------------------|
| | L1 | L2 | L3 | L4 | 空载转速 No-load (RPM) | 空载功率 Free power (W) | 负载转速 On load speed (RPM) | 负载功率 On load power (W) | 负载转矩 On load Tor (g.cm) | 风速 air speed (m/s) Min. |
| YJ61-20 | 20.5-40.5 | 20 | 49.5 | Ø5 | 2800/3200 | 25 | 800-1000 | 35 | 240 | 6 |
| YJ61-25 | 20.5-40.5 | 20 | 49.5 | Ø5.53 | 2800/3200 | 30 | 1200-1600 | 40 | 360 | 4.5 |
| YJ61-30 | 20.5-40.5 | 20 | 49.5 | Ø6 | 2800/3200 | 35 | 1400-1800 | 45 | 500 | 5 |
| YJ61-40 | 135 | 47.3 | 40.5 | Ø6.35 | 2800/3200 | 65 | 2000-2400 | 80 | 700 | 6 |

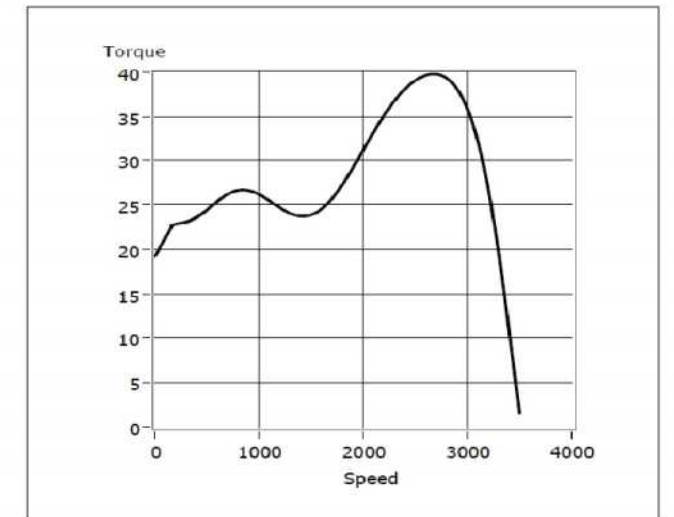
T-S 曲线

T-S Curve

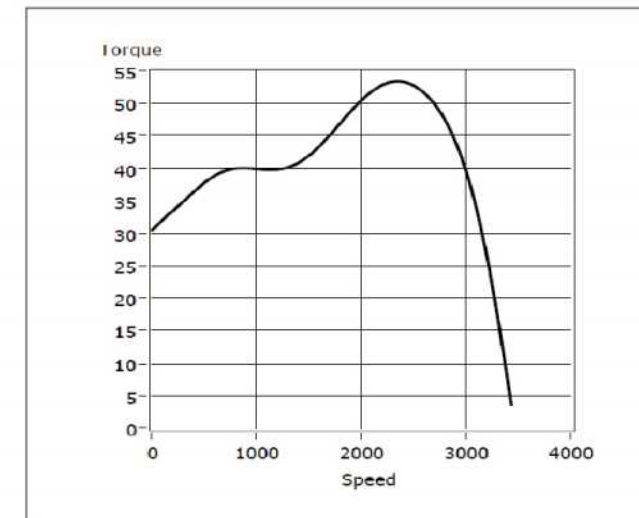
● YJ61-20



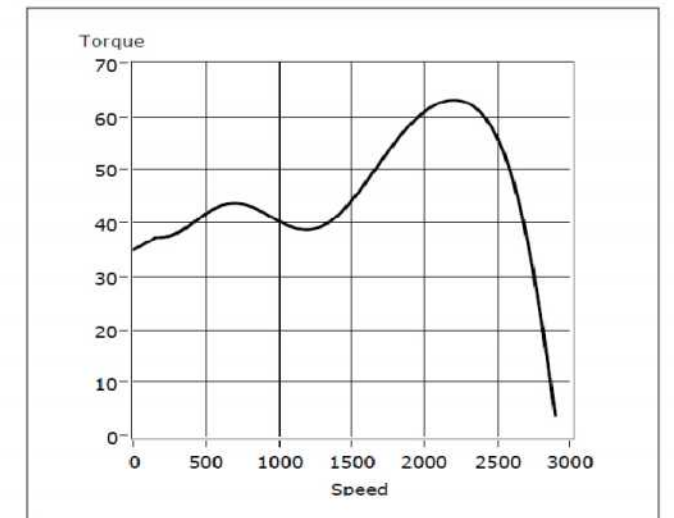
● YJ61-25



● YJ61-30



● YJ61-40



YJ62系列 YJ62 SERIES



性能参数

Technical Data

- 电压:100-240V
- 频率:50/60Hz
- 绝缘等级:A/E/B/F/H
- 寿命:3000小时以上(含油轴承)
- Voltage: 100-240v
- Frequency: 50/60Hz
- Insulation class: A/E/B/F/H
- Life: more than 3000 hours (sleeve bearing)

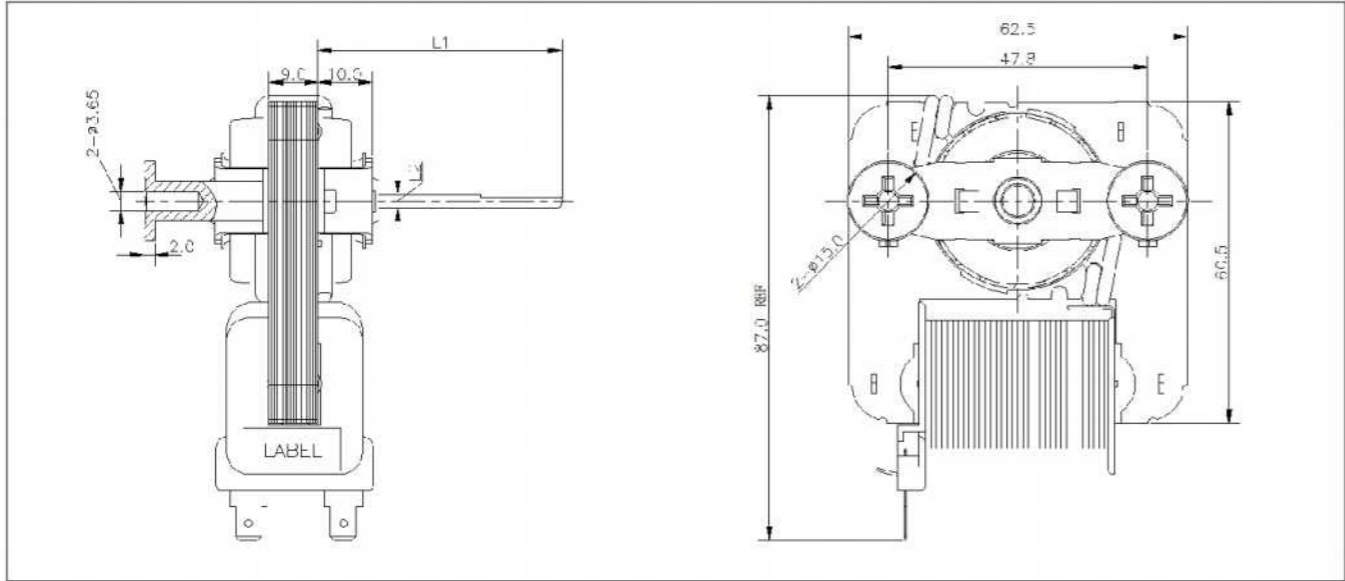
产品应用

Product Application

微波炉
microwave oven

外形尺寸

Dimensions



技术参数

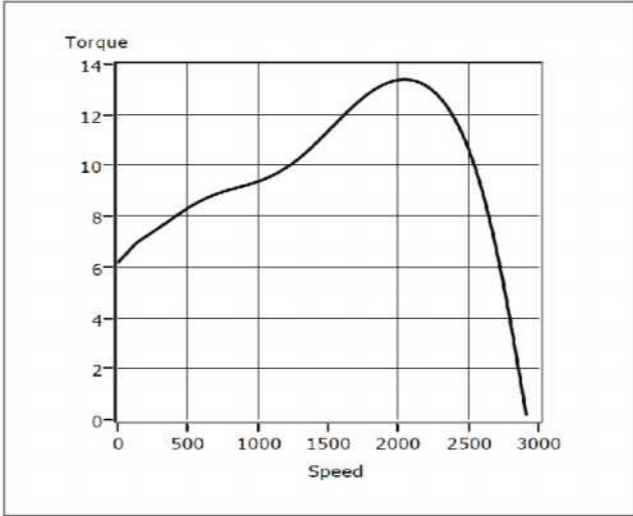
Technical Parameters

| 型号 Model | 尺寸 /Dimensions | | 参考性能 /Reference Performance | | | | |
|-------------|----------------|---------------|-----------------------------|---------------------------|--------------------------------|------------------------------|-------------------------------|
| | L1 | L2 | 空载转速 No-load (RPM) | 空载功率 Free power (W) | 负载转速 On load speed (RPM) | 负载功率 On load power (W) | 负载转矩 On load Tor (g.cm) |
| YJ55-24 | 10-60 | φ2.5 Or φ3.17 | 2800/3200 | 12 | 2500 | 15 | 100 |

T-S 曲线

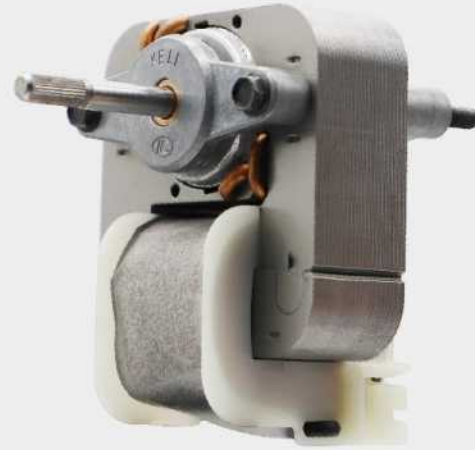
T-S Curve

● YJ62-09



YJ63系列

YJ63 SERIES



性能参数

Technical Data

- 电压: 100-240V
- Voltage: 100-240v
- 频率: 50/60Hz
- Frequency: 50/60Hz
- 绝缘等级: B/F/H
- Insulation class: B/F/H
- 寿命: 3000小时以上(含油轴承)
- Life: more than 3000 hours (sleeve bearing)
- 10000小时以上(滚珠轴承)
- more than 10000 hours (ball bearing)

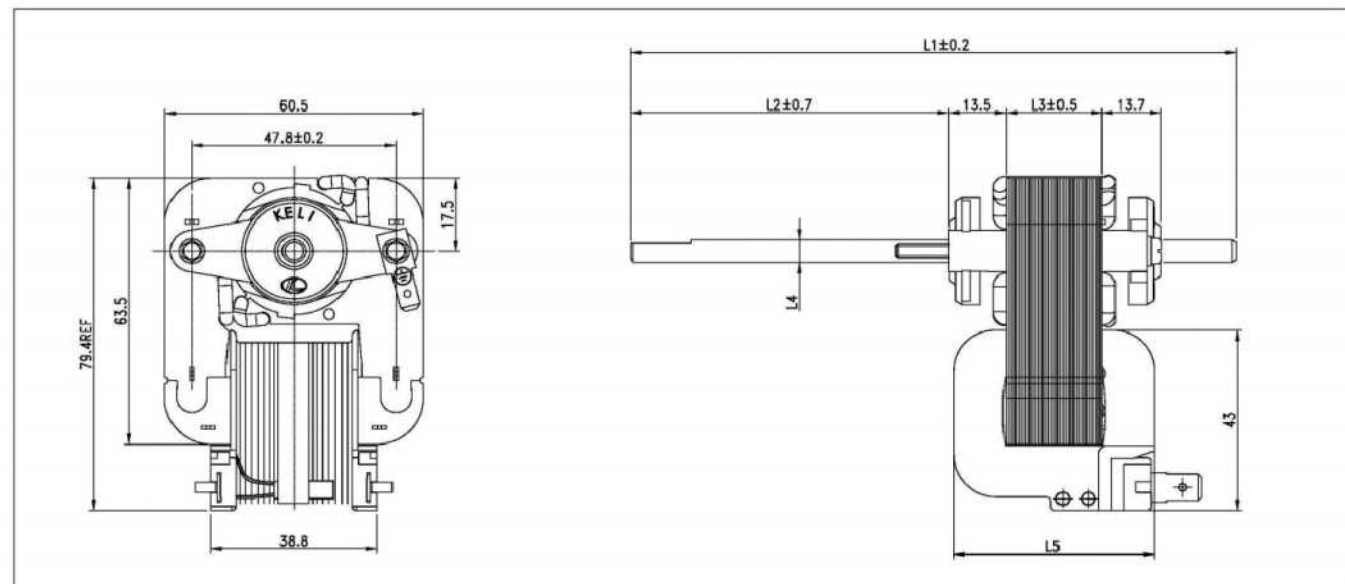
产品应用

Product Application

抽水泵
water pump

外形尺寸

Dimensions



技术参数

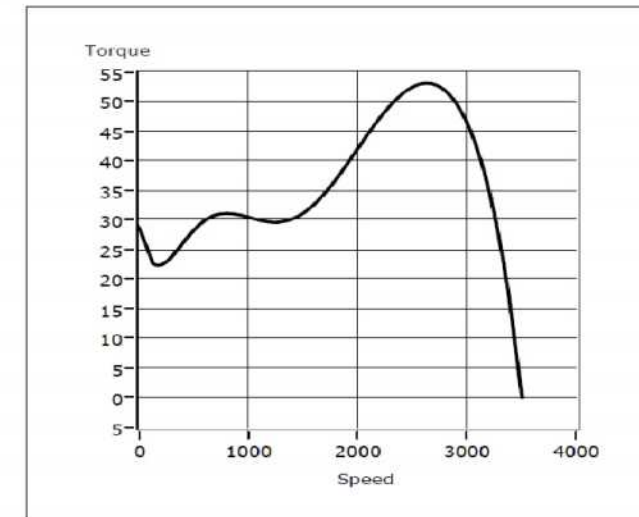
Technical Parameters

| 型号 Model | 尺寸 /Dimensions | | | | | 参考性能 /Reference Performance | | | | | |
|-------------|----------------|----|------|----------|----|-----------------------------|---------------------------|--------------------------------|------------------------------|-------------------------------|------------------------|
| | L1 | L2 | L3 | L4 | L5 | 空载转速 No-load (RPM) | 空载功率 Free power (W) | 负载转速 On load speed (RPM) | 负载功率 On load power (W) | 负载转矩 On load Tor (g.cm) | 最大扬程 (m) Maximum |
| YJ63-22 | 142 | 76 | 22.5 | ∅5 | 47 | 2800/3200 | 45 | 2500 | 52 | 580 | 580 |
| YJ63-30 | 150 | 76 | 30.5 | ∅5.53、∅6 | 55 | 2800/3200 | 62 | 2600 | 70 | 630 | 630 |

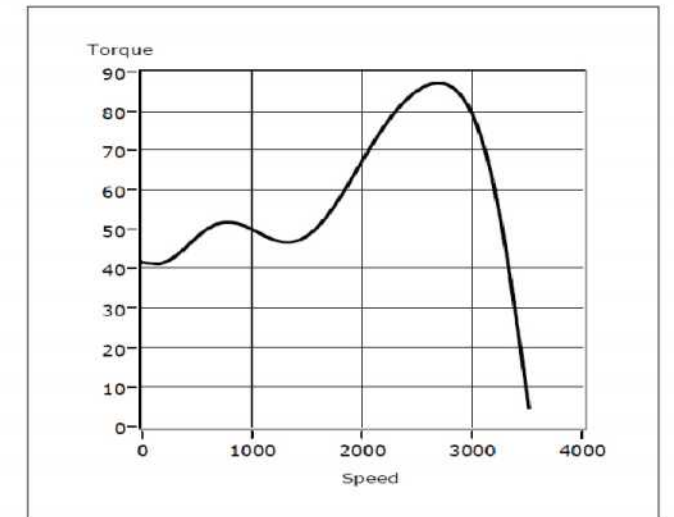
T-S 曲线

T-S Curve

● YJ63-22



● YJ63-30



YJ64系列 YJ64 SERIES



性能参数

Technical Data

- 电压: 100-240V
- Voltage of: 100-240V
- 频率: 50/60Hz
- Frequency: 50/60Hz
- 绝缘等级: F/H
- Insulation class: F/H
- 寿命: 3000小时以上(含油轴承)
10000小时以上(滚珠轴承)
- Life: more than 3000 hours (sleeve bearing)
more than 10000 hours (ball bearing)

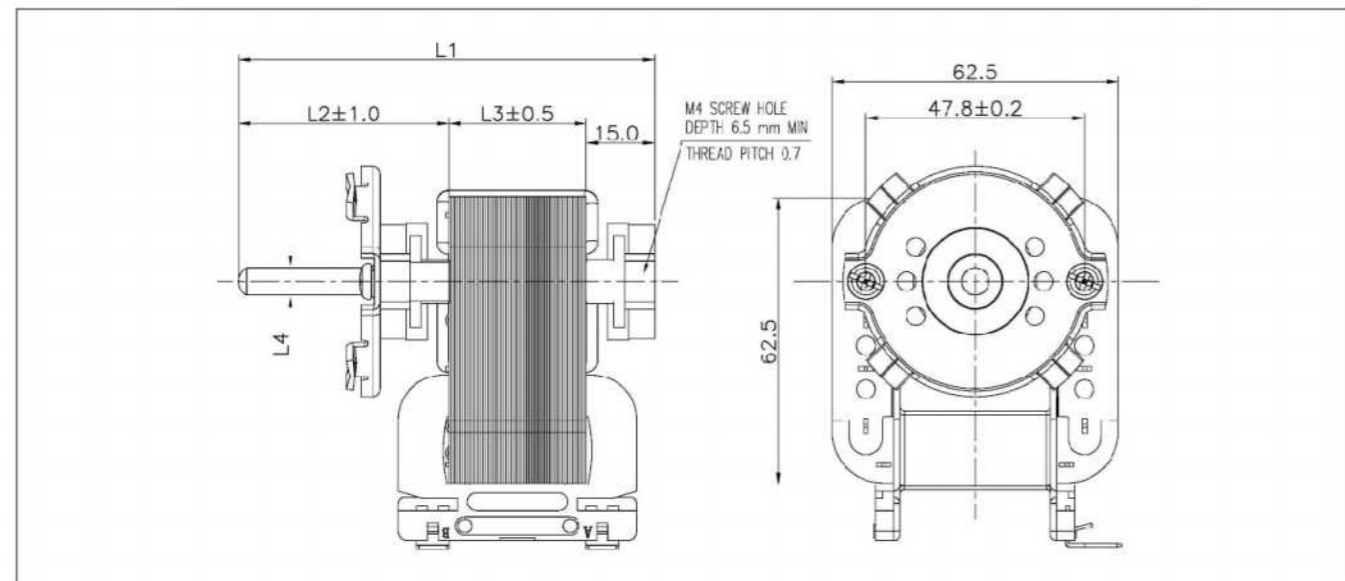
产品应用

Product Application

- 风幕
air curtain
- 壁炉
fireplace

外形尺寸

Dimensions



技术参数

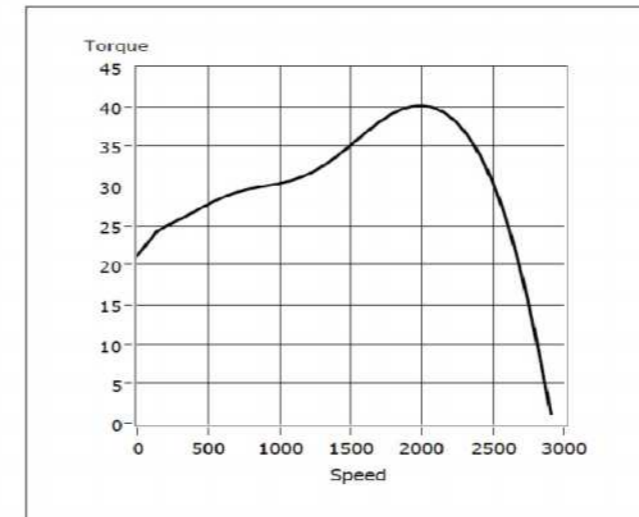
Technical Parameters

| 型号 Model | 尺寸 / Dimensions | | | | 参考性能 / Reference Performance | | | | | |
|-------------|-----------------|----|----|-------|------------------------------|---------------------------|--------------------------------|------------------------------|-------------------------------|-------------------------------|
| | L1 | L2 | L3 | L4 | 空载转速 No-load (RPM) | 空载功率 Free power (W) | 负载转速 On load speed (RPM) | 负载功率 On load power (W) | 负载转矩 On load Tor (g.cm) | 风速 air speed (m/s) Min. |
| YJ64-20 | 83 | 38 | 20 | Ø5 | 2800/3200 | 18 | 1700-2100 | 28 | 220 | 5.5 |
| YJ64-25 | 88 | 43 | 25 | | 2800/3200 | 22 | 2000-2400 | 35 | 280 | 6 |
| YJ64-30 | 93 | 48 | 30 | Ø5.53 | 2800/3200 | 28 | 2200-2600 | 40 | 350 | 6.5 |
| YJ64-35 | 98 | 53 | 35 | Ø6 | 2800/3200 | 38 | 2400-2800 | 45 | 420 | 7.5 |
| YJ64-38 | 101 | 56 | 38 | Ø6.35 | 2800/3200 | 42 | 2600-3000 | 50 | 520 | 8 |
| YJ64-51 | 114 | 69 | 51 | | 2800/3200 | 49 | 2800-3200 | 60 | 760 | 9 |

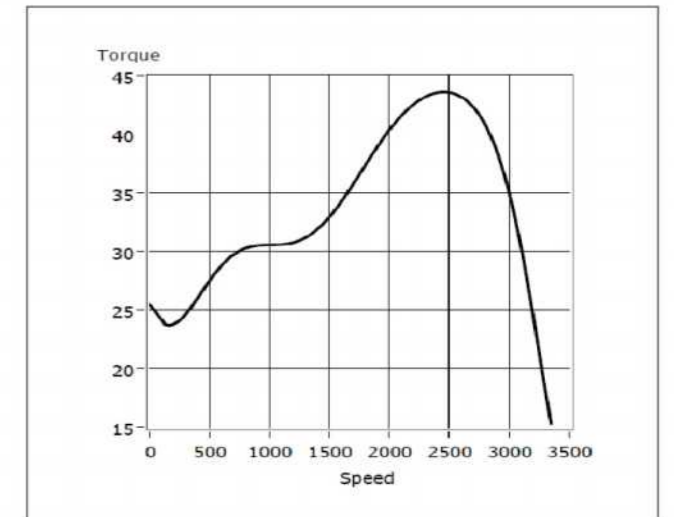
T-S 曲线

T-S Curve

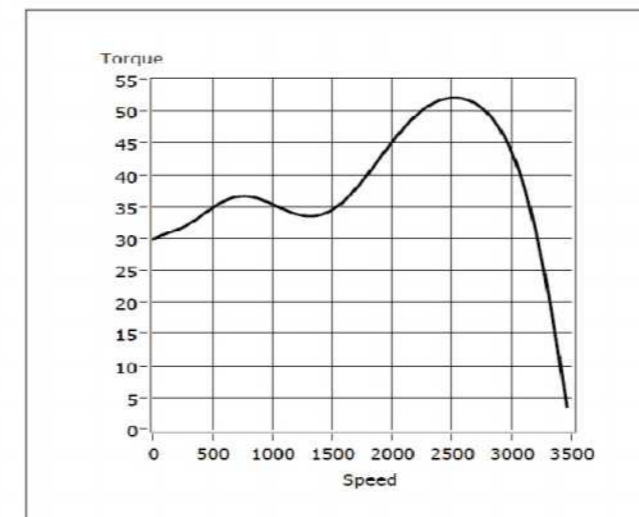
● YJ64-20



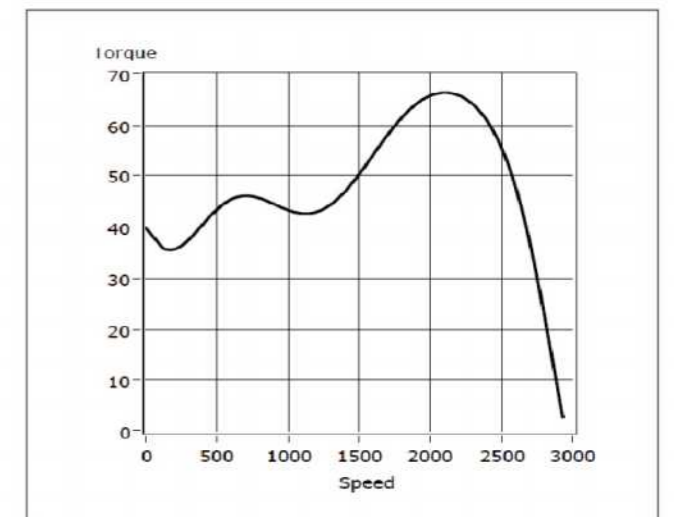
● YJ64-25



● YJ64-30



● YJ64-35



YJ64系列 YJ64 SERIES



性能参数

Technical Data

- 电压: 100-240V
- Voltage: 100-240v
- 频率: 50/60Hz
- Frequency: 50/60Hz
- 绝缘等级: B/F/H
- Insulation class: B/F/H
- 寿命: 5000小时以上 (滚珠轴承)
- Life: more than 5000 hours (sleeve bearing)

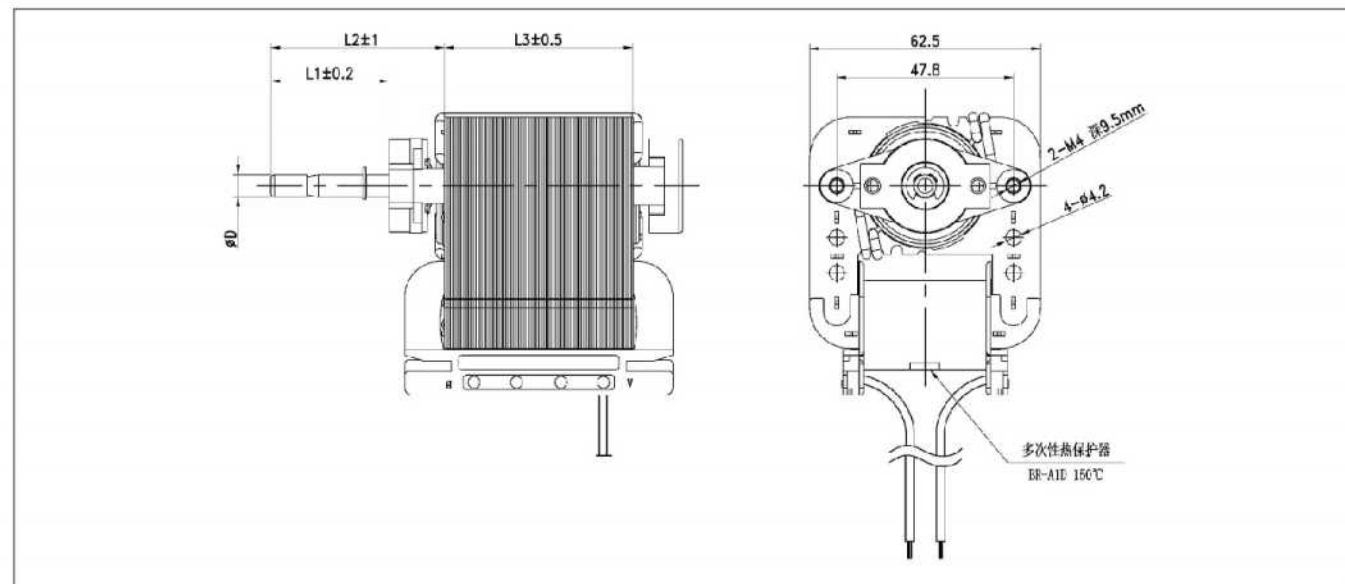
产品应用

Product Application

风幕
air curtain

外形尺寸

Dimensions



技术参数

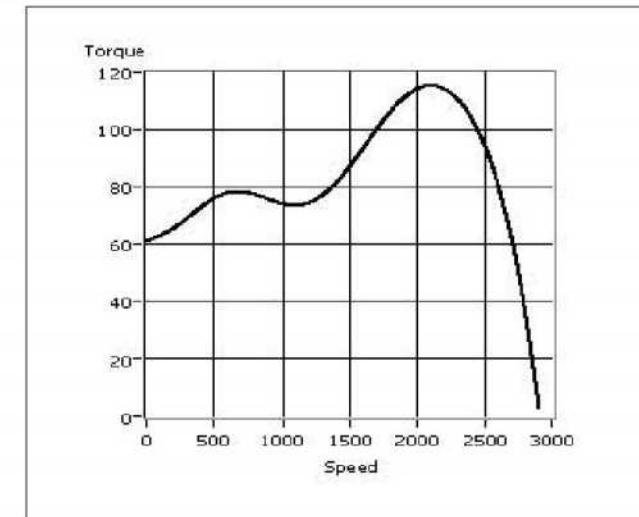
Technical Parameters

| 型号 Model | 尺寸 /Dimensions | | | | 参考性能 /Reference Performance | | | | |
|-------------|----------------|-------|----|--------|-----------------------------|---------------------------|--------------------------------|------------------------------|-------------------------------|
| | L1 | L2 | L3 | ΦD | 空载转速 No-load (RPM) | 空载功率 Free power (W) | 负载转速 On load speed (RPM) | 负载功率 On load power (W) | 负载转矩 On load Tor (g.cm) |
| YJ64-51 | 20-50 | 35-65 | 51 | 5 or 6 | 2800 / 3200 | 85 | 2600 | 100 | 910 |

T-S 曲线

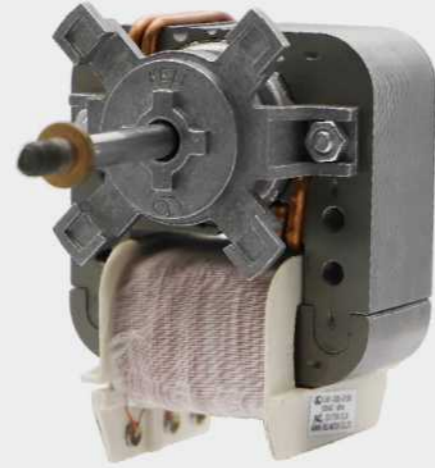
T-S Curve

● YJ64-51



YJ64系列

YJ64 SERIES



性能参数

Technical Data

- 电压: 100-400V
- 频率: 50/60Hz
- 绝缘等级: H / N
- 寿命: 3000小时以上(含油轴承)
6000小时以上(滚珠轴承)
- Voltage: 100-400v
- Frequency: 50/60Hz
- Insulation class: H / N
- Life: more than 3000 hours (sleeve bearing)
more than 6000 hours (ball bearing)

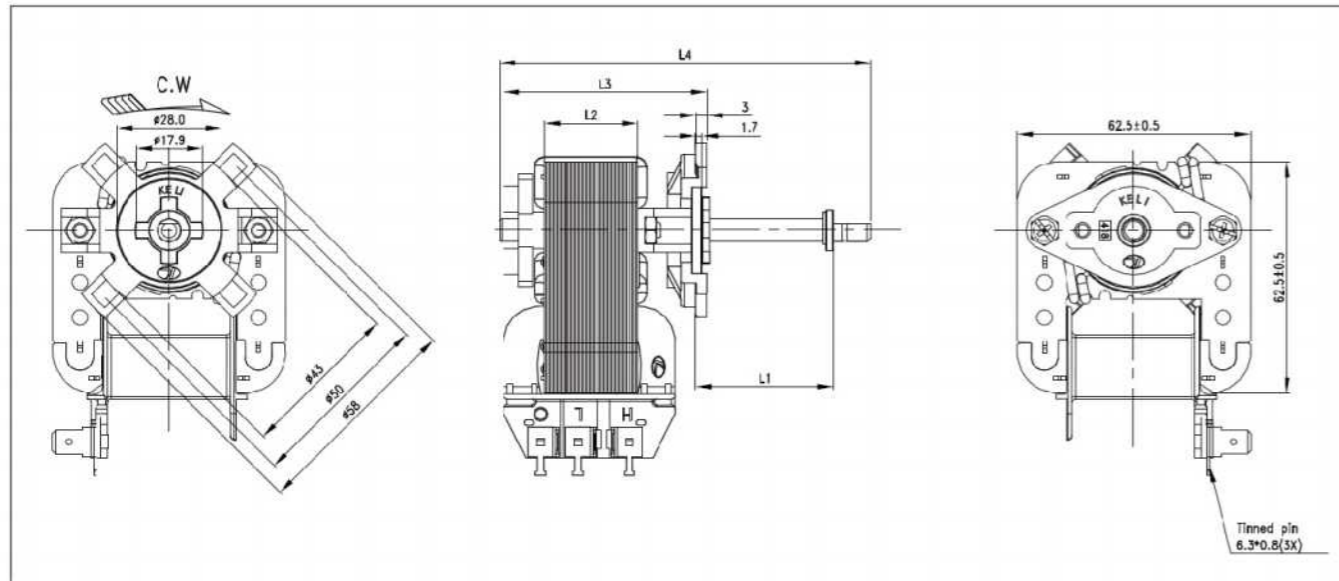
产品应用

Product application

烤箱
oven

外形尺寸

Dimensions



技术参数

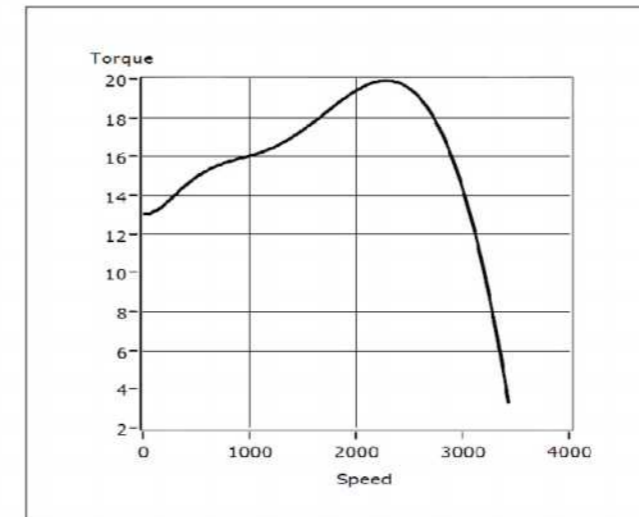
Technical Parameters

| 型号 Model | 尺寸 / Dimensions | | | | 参考性能 / Reference Performance | | | | |
|-------------|-----------------|------|------|----------|------------------------------|---------------------------|--------------------------------|------------------------------|-------------------------------|
| | L1 | L2 | L3 | L4 | 空载转速 No-load (RPM) | 空载功率 Free power (W) | 负载转速 On load speed (RPM) | 负载功率 On load power (W) | 负载转矩 On load Tor (g.cm) |
| YJ64-16 | 15-45 | 15.5 | 40.5 | 65.5-110 | 2800/3200 | 18 | 1700 | 25 | 220 |
| YJ64-20 | 15-50 | 20 | 45 | 70-110 | 2800/3200 | 22 | 1900 | 30 | 260 |
| YJ64-25 | 15-45 | 25 | 55 | 75-110 | 2800/3200 | 28 | 2100 | 35 | 330 |

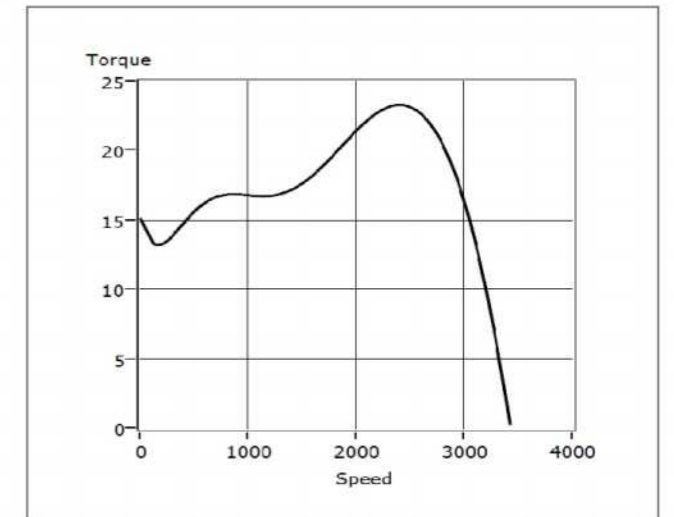
T-S 曲线

T-S Curve

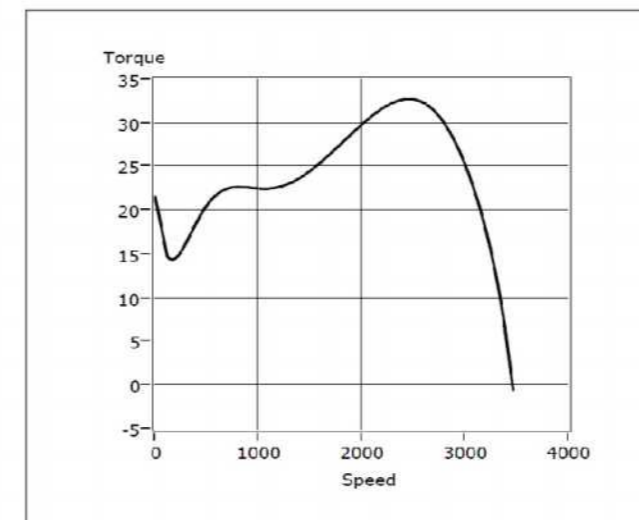
● YJ64-16



● YJ64-20



● YJ64-25



YJ64系列 YJ64 SERIES



性能参数

Technical Data

- 电压:100-240V
- 频率:50/60Hz
- 绝缘等级:B/F/H
- 寿命:5000小时以上(滚珠轴承)
- Voltage: 100-240v
- Frequency: 50/60Hz
- Insulation class: B/F/H
- Life: more than 5000 hours (ball bearing)

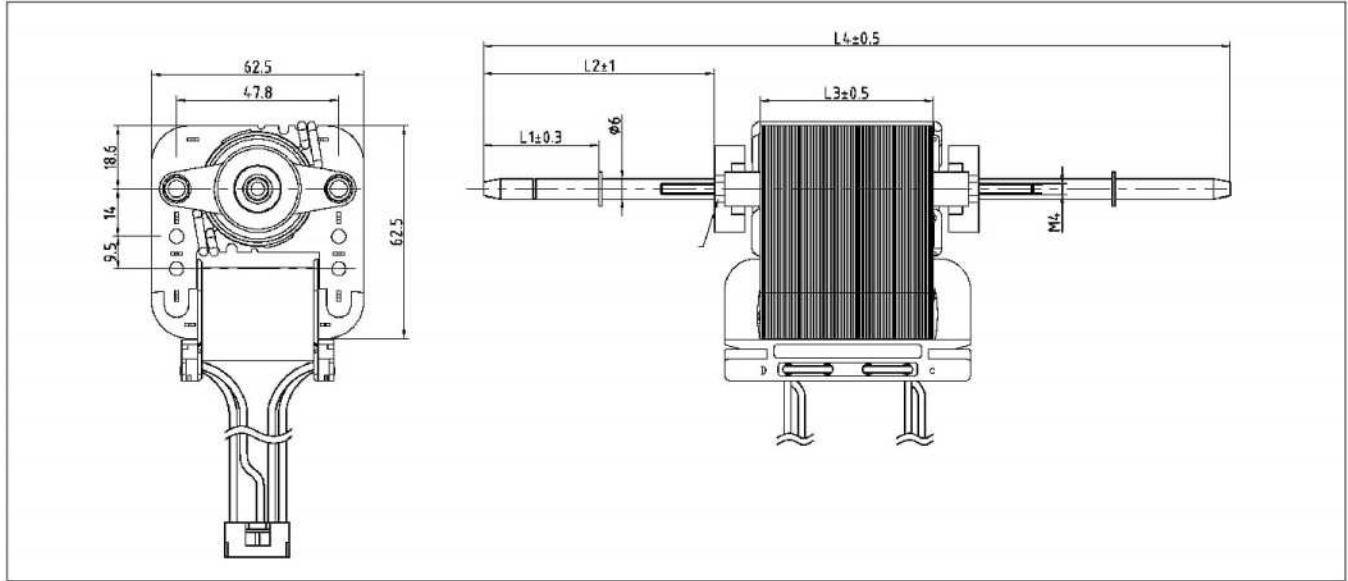
产品应用

Product application

空气净化器
air purifier

外形尺寸

Dimensions



技术参数

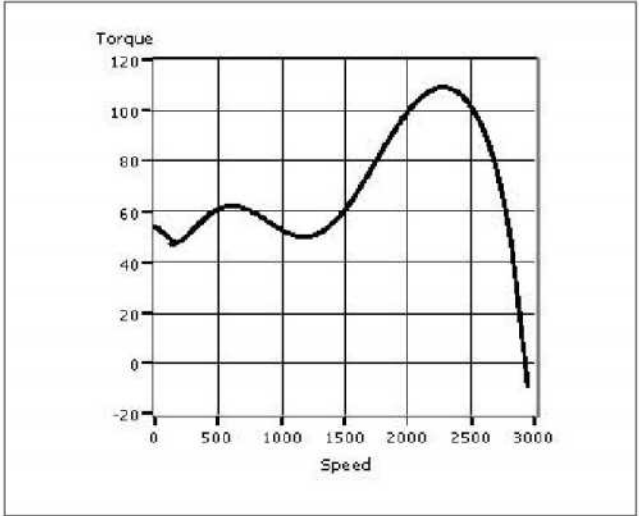
Technical Parameters

| 型号 Model | 尺寸 /Dimensions | | | | 参考性能 /Reference Performance | | | | |
|-------------|----------------|-------|----|---------|-----------------------------|---------------------------|--------------------------------|------------------------------|-------------------------------|
| | L1 | L2 | L3 | L4 | 空载转速 No-load (RPM) | 空载功率 Free power (W) | 负载转速 On load speed (RPM) | 负载功率 On load power (W) | 负载转矩 On load Tor (g.cm) |
| YJ64-51 | 15-50 | 40-80 | 51 | 200-300 | 2800/3200 | 85 | 2600 | 10 | 910 |

T-S 曲线

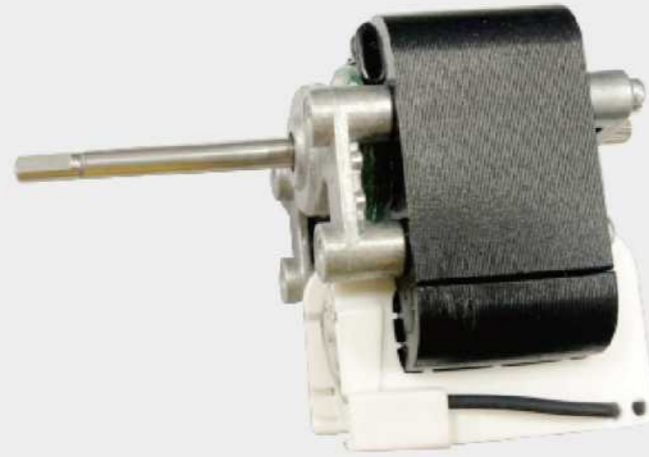
T-S Curve

● YJ64-51



YJ64系列

YJ64 SERIES



性能参数

Technical Data

- 电压: 100-240V
- Voltage of: 100-240V
- 频率: 50/60Hz
- Frequency: 50/60Hz
- 绝缘等级: B/F/H
- Insulation class: B/F/H
- 寿命: 3000小时以上(含油轴承)
- Life: more than 3000 hours (sleeve bearing)
- 10000小时以上(滚珠轴承)
- more than 10000 hours (ball bearing)

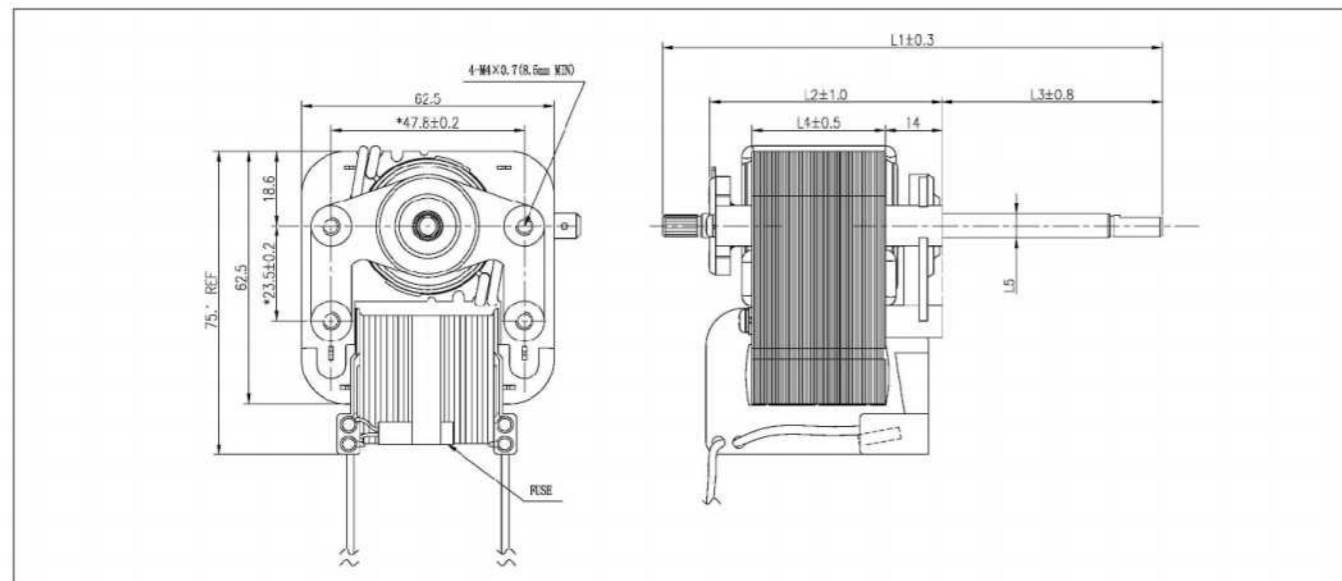
产品应用

Product application

抽水泵
water pump

外形尺寸

Dimensions



技术参数

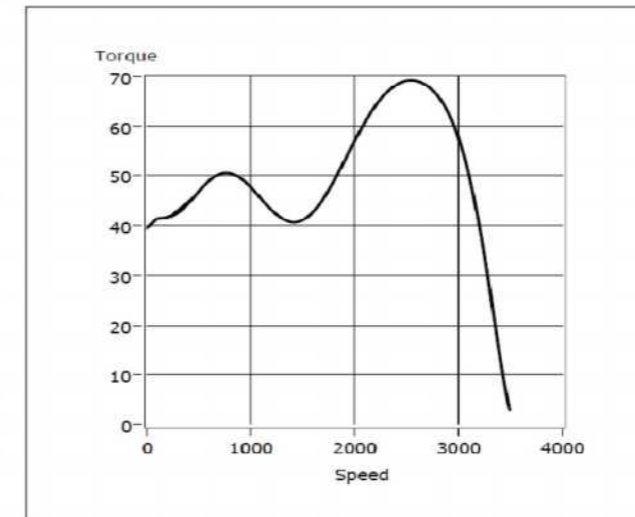
Technical Parameters

| 型号 Model | 尺寸 / Dimensions | | | | | 参考性能 / Reference Performance | | | | | |
|-------------|-----------------|------|----|------|----------------|------------------------------|---------------------------|--------------------------------|------------------------------|-------------------------------|-------------------------------|
| | L1 | L2 | L3 | L4 | L5 | 空载转速 No-load (RPM) | 空载功率 Free power (W) | 负载转速 On load speed (RPM) | 负载功率 On load power (W) | 负载转矩 On load Tor (g.cm) | 负载转矩 On load Tor (g.cm) |
| YJ64-30 | 122 | 54.4 | 52 | 30 | Ø5 Ø5.53、Ø6 | 2800/3200 | 51 | 2550 | 60 | 610 | 6.5 |
| YJ64-33 | 125 | 57.4 | 55 | 33 | | 2800/3200 | 55 | 2600 | 65 | 650 | 7 |
| YJ64-35 | 127 | 59.4 | 57 | 35.5 | | 2800/3200 | 59 | 2600 | 68 | 680 | 7.5 |

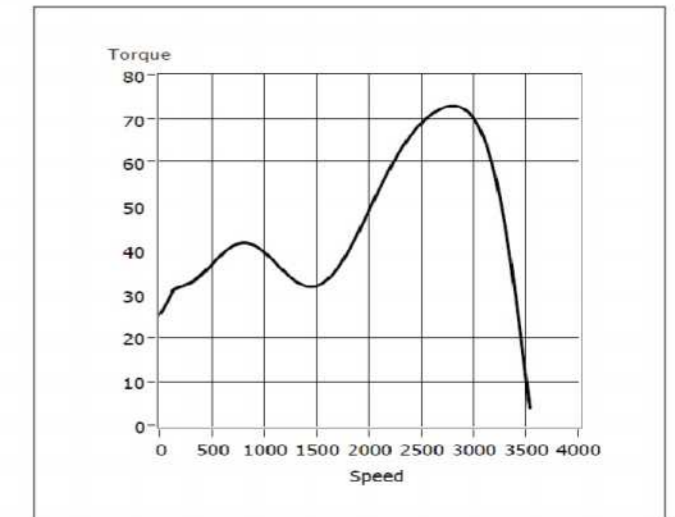
T-S 曲线

T-S Curve

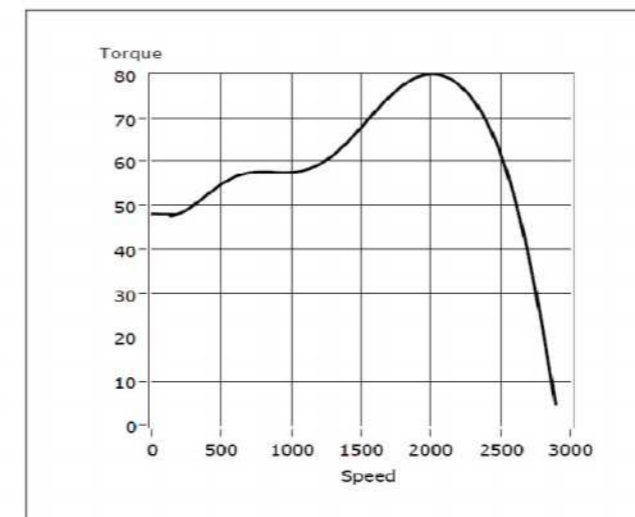
● YJ64-30



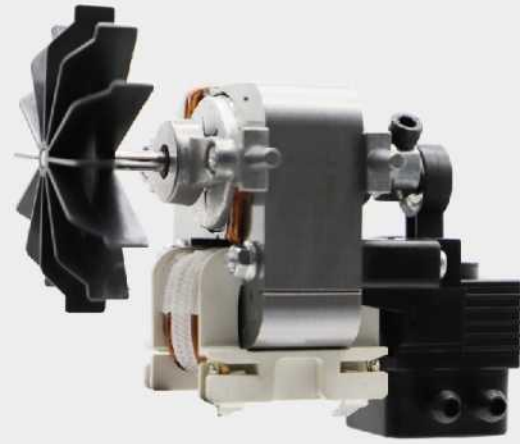
● YJ64-33



● YJ64-35



YJ64系列 YJ64 SERIES



性能参数

Technical Data

- 电压:100-240V
- Voltage of: 100-240V
- 频率:50/60Hz
- Frequency: 50/60Hz
- 绝缘等级:B/F/H
- Insulation class: B/F/H
- 寿命:1000小时以上(含油轴承)
2000小时以上(滚珠轴承)
- Life: more than 1000 hours (sleeve bearing)
more than 2000 hours (ball bearing)

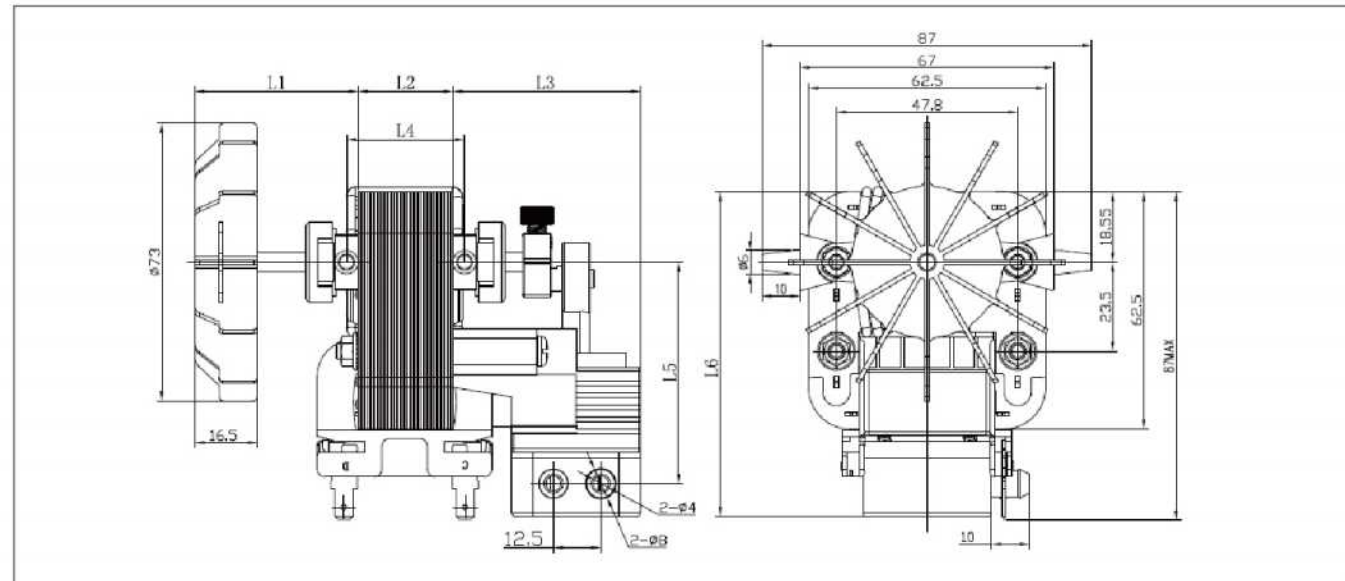
产品应用

Product application

- 雾化器
Nebulizer
- 吸痰器
sputum aspirator

外形尺寸

Dimensions



技术参数

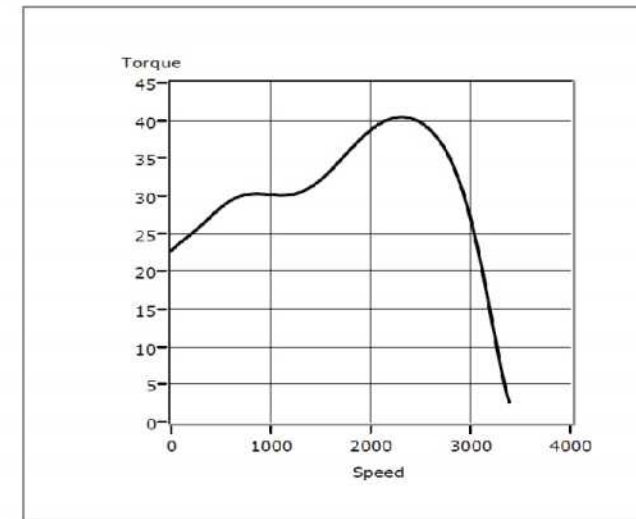
Technical Parameters

| 型号 Model | 尺寸 /Dimensions | | | | | | 参考性能 /Reference Performance | | | | | | | | |
|-------------|----------------|----|------|----|--------------------|----------------------|-----------------------------|------------------------------|-----------------------------------|---------------------------------|----------------------------------|------------------------------------|--------------------------------------|--------------------------------------|--|
| | L1 | L2 | L3 | L4 | L5 | L6 | 空载转速 No-load (RPM) | 空载功率 Free power (W) | 负载转速 On load speed (RPM) | 负载功率 On load power (W) | 负载转矩 On load Tor (g.cm) | 工作流量 Working flow (L/Min) | 工作压力 working pressure (bar) | 最大压力 maximum pressure (bar) | |
| YJ64-20 | 20.5-40.5 | 38 | 49.5 | 26 | 56 Or 58.5 Or 63.2 | 78.5 Or 85.5 Or 87.5 | 2800/3200 | 32 | 2500 | 40 | 230 | 6.5 | 0.8 | 1.5 | |
| YJ64-25 | 20.5-40.5 | 43 | 49.5 | 31 | 56 Or 58.5 Or 63.2 | 78.5 Or 85.5 Or 87.5 | 2800/3200 | 42 | 2500 | 50 | 370 | 5.5 | 1.3 | 2.2 | |
| YJ64-30 | 20.5-40.5 | 48 | 49.5 | 36 | 56 Or 58.5 Or 63.2 | 78.5 Or 85.5 Or 87.5 | 2800/3200 | 50 | 2500 | 60 | 550 | 4.5 | 1.6 | 2.8 | |

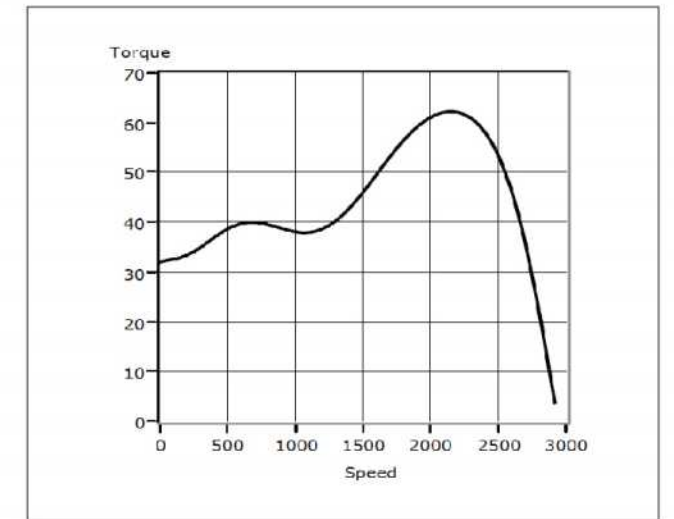
T-S 曲线

T-S Curve

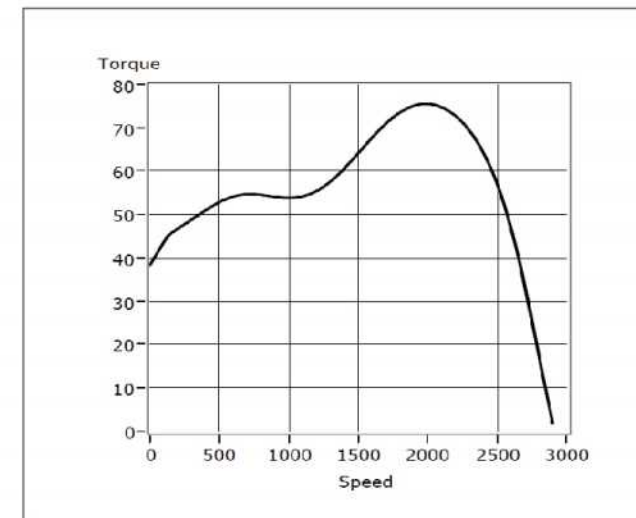
● YJ64-20



● YJ64-25



● YJ64-30



YJ72系列 YJ72 SERIES



性能参数

Technical Data

- 电压:100-240V
- 频率:50/60Hz
- 绝缘等级:H
- 寿命:3000小时以上(含油轴承)
6000小时以上(滚珠轴承)
- Voltage: 100-240v
- Frequency: 50/60Hz
- Insulation class: H
- Life: more than 3000 hours (sleeve bearing)
more than 6000 hours (ball bearing)

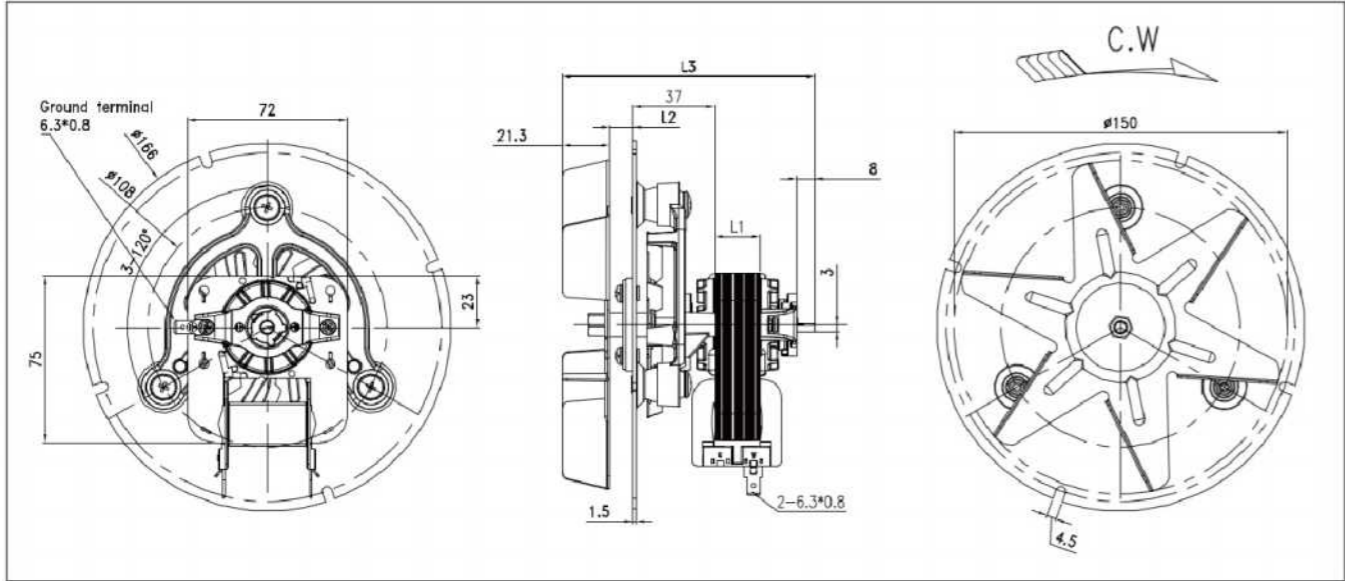
产品应用

Product application

烤箱
Oven

外形尺寸

Dimensions



技术参数

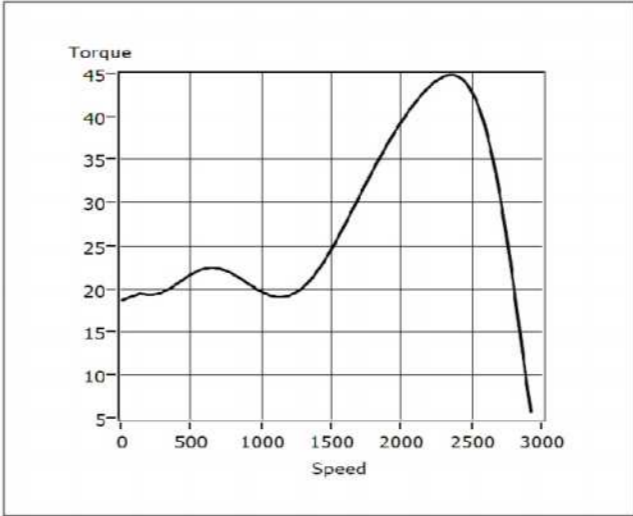
Technical Parameters

| 型号 Model | 尺寸 /Dimensions | | | 参考性能 /Reference Performance | | | | |
|-------------|----------------|-------|---------|-----------------------------|---------------------------|--------------------------------|------------------------------|-------------------------------|
| | L1 | L2 | L3 | 空载转速 No-load (RPM) | 空载功率 Free power (W) | 负载转速 On load speed (RPM) | 负载功率 On load power (W) | 负载转矩 On load Tor (g.cm) |
| YJ72-20 | 20.5 | 10-30 | 115-135 | 2800 / 3200 | 41 | 2200 | 50 | 480 |
| YJ72-25 | 25.5 | 10-25 | 120-135 | 2800 / 3200 | 51 | 2400 | 60 | 530 |
| YJ72-30 | 30.5 | 10-20 | 125-135 | 2800 / 3200 | 59 | 2600 | 70 | 660 |

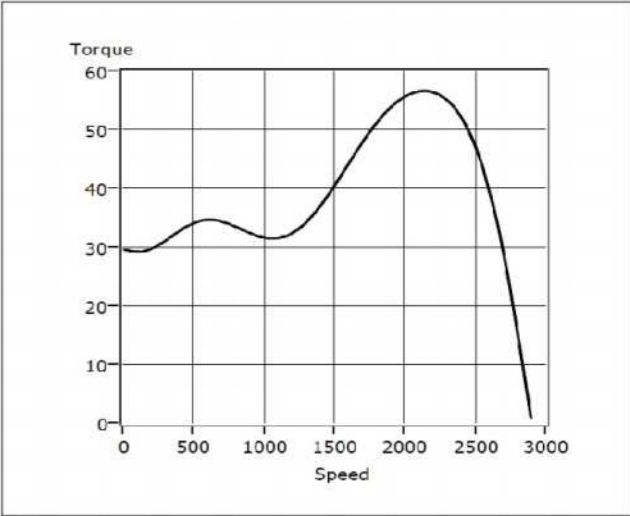
T-S 曲线

T-S Curve

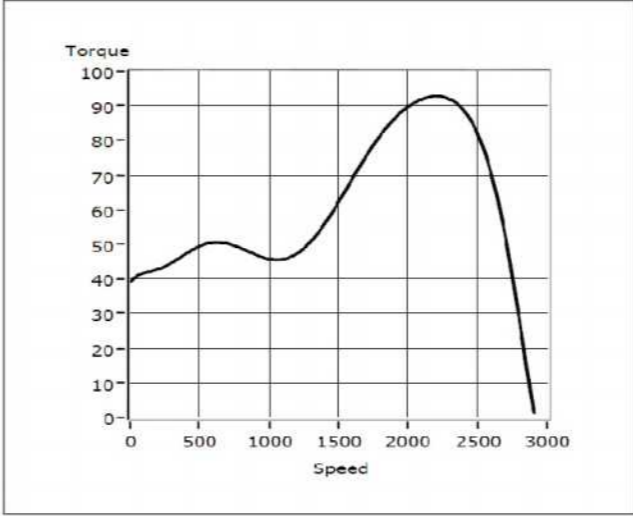
● YJ72-20



● YJ72-25



● YJ72-30



YJ72系列

YJ72 SERIES



性能参数

Technical Data

- 电压: 100-240V
- Voltage: 100-240v
- 频率: 50/60Hz
- Frequency: 50/60Hz
- 绝缘等级: H
- Insulation class: H
- 寿命: 5000小时以上(含油轴承)
1000小时以上(滚珠轴承)
- Life: more than 5000 hours (sleeve bearing)
more than 1000 hours (ball bearing)

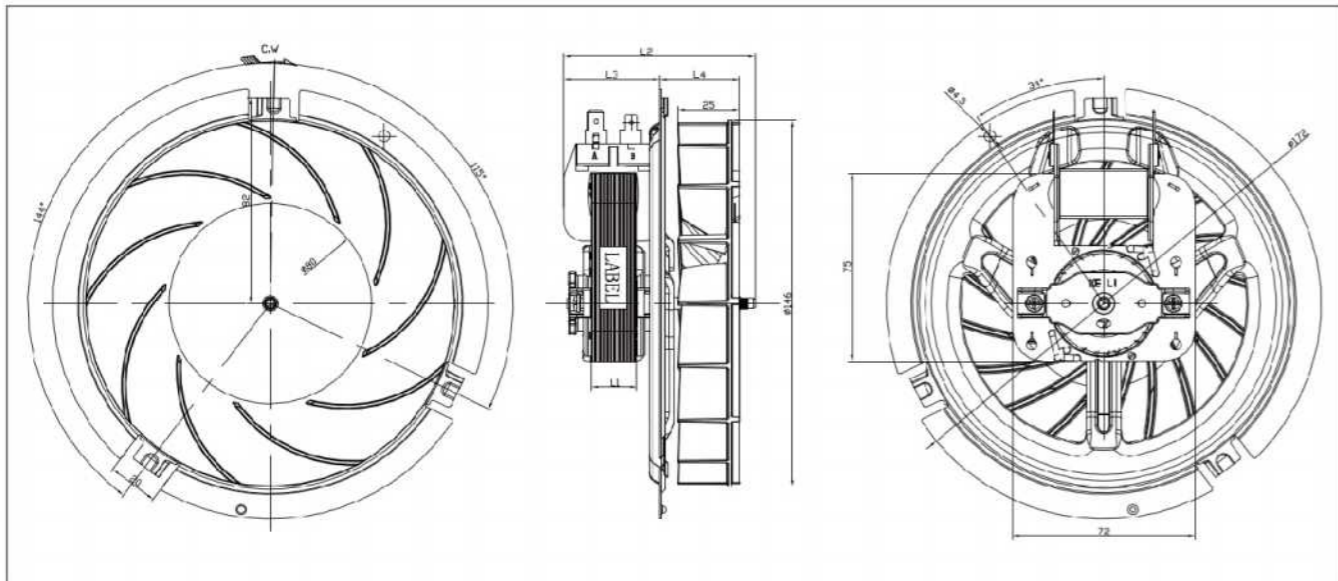
产品应用

Product application

烤箱
Oven

外形尺寸

Dimensions



技术参数

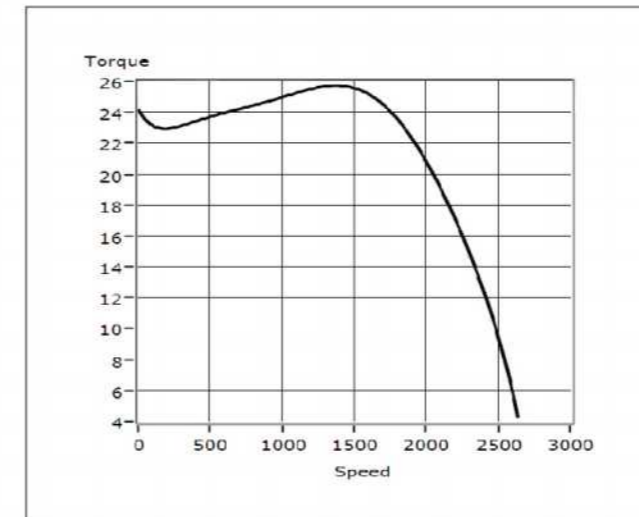
Technical Parameters

| 型号 Model | 尺寸 / Dimensions | | | | 参考性能 / Reference Performance | | | | |
|-------------|-----------------|-------|------|--------|------------------------------|---------------------------|--------------------------------|------------------------------|-------------------------------|
| | L1 | L2 | L3 | L4 | 空载转速 No-load (RPM) | 空载功率 Free power (W) | 负载转速 On load speed (RPM) | 负载功率 On load power (W) | 负载转矩 On load Tor (g.cm) |
| YJ72-14 | 13.5 | 65-90 | 33.5 | 28-50 | 2800/3200 | 27 | 1800 | 36 | 180 |
| YJ72-18 | 18 | 70-90 | 38 | 75-110 | 2800/3200 | 36 | 2200 | 45 | 330 |

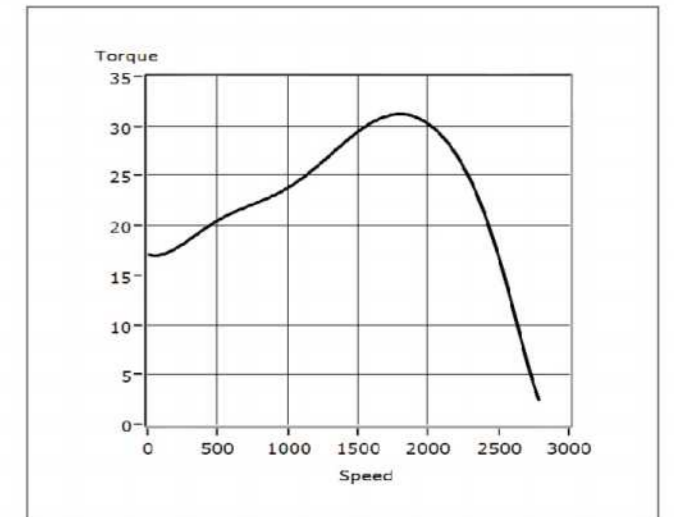
T-S 曲线

T-S Curve

● YJ72-14



● YJ72-18



YJ80系列

YJ80 SERIES



性能参数

Technical Data

- 电压: 100-240V
- Voltage of 100-240V
- 频率: 50/60Hz
- Frequency: 50/60Hz
- 绝缘等级: B/F
- Insulation class: B/F
- 寿命: 3000小时以上(含油轴承)
- Life: more than 3000 hours (sleeve bearing)
- 10000小时以上(滚珠轴承)
- more than 10000 hours (ball bearing)

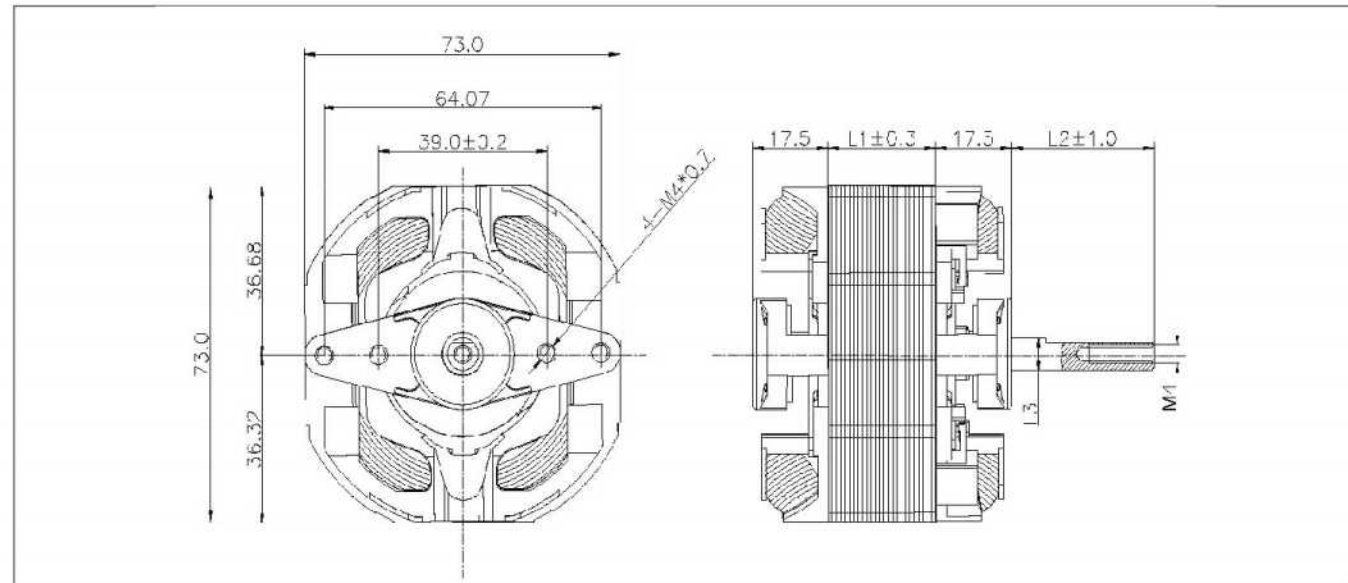
产品应用

Product application

- 换气扇
ventilation fan
- 风扇
fan

外形尺寸

Dimensions



技术参数

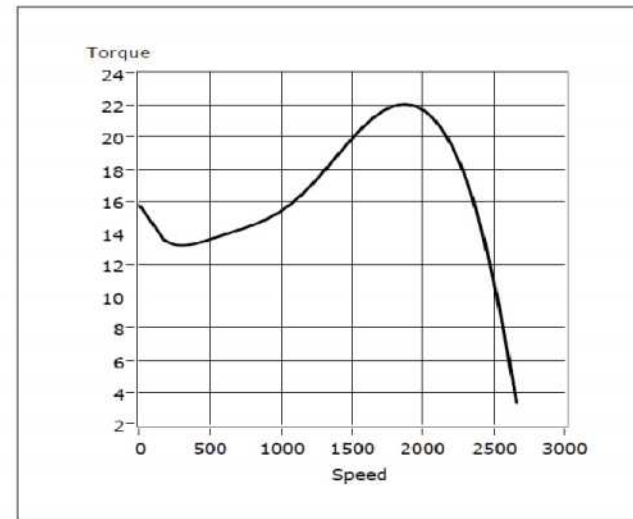
Technical Parameters

| 型号 Model | 尺寸 / Dimensions | | | 参考性能 / Reference Performance | | | | | |
|-------------|-----------------|------|-------|------------------------------|---------------------------|--------------------------------|------------------------------|-------------------------------|--------------------------|
| | L1 | L2 | L3 | 空载转速 No-load (RPM) | 空载功率 Free power (W) | 负载转速 On load speed (RPM) | 负载功率 On load power (W) | 负载转矩 On load Tor (g.cm) | 风速 air speed (m/s) |
| YJ80-13 | 13.5 | 37 | Ø7、Ø8 | 2600/3200 | 26 | 2200 | 32 | 110 | 6 |
| YJ80-25 | 25 | 33 | | 2600/3200 | 42 | 2400 | 50 | 180 | 9 |
| YJ80-35 | 35 | 31.5 | | 2600/3200 | 95 | 2600 | 110 | 450 | 12 |

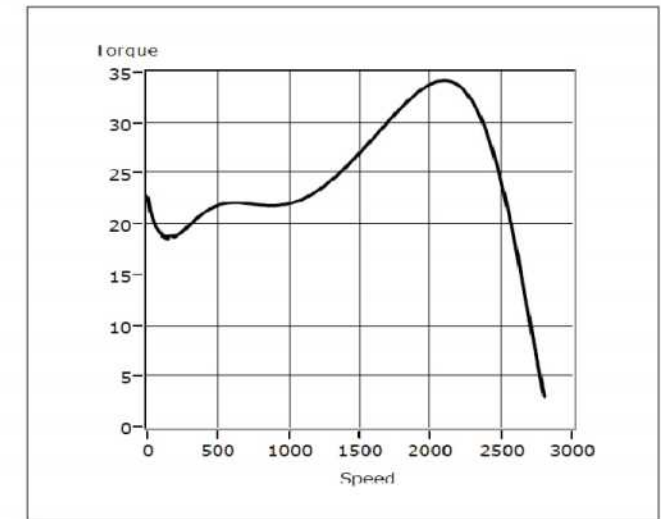
T-S 曲线

T-S Curve

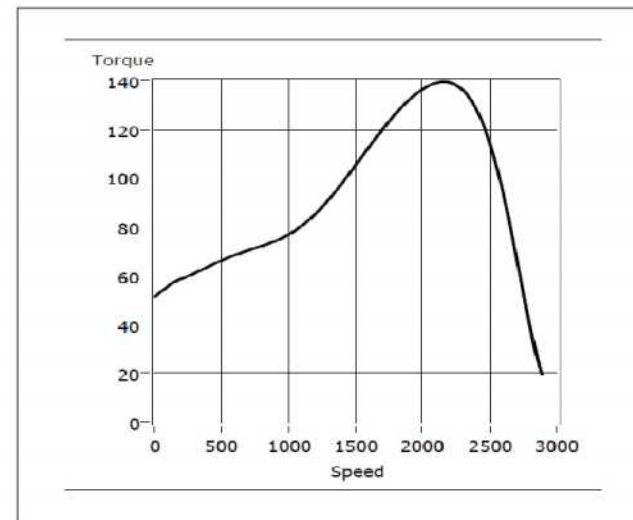
● YJ80-13



● YJ80-25



● YJ80-35



YJ82系列

YJ82 SERIES



性能参数

Technical Data

- 电压220-240V
- Voltage: 220-240v
- 频率:50/60Hz
- Frequency: 50/60Hz
- 绝缘等级:B/E
- Insulation class: B/E
- 寿命:1000小时以上(含油轴承)
- Life: more than 1000 hours (sleeve bearing)
- 2000小时以上(滚珠轴承)
- more than 2000 hours (ball bearing)

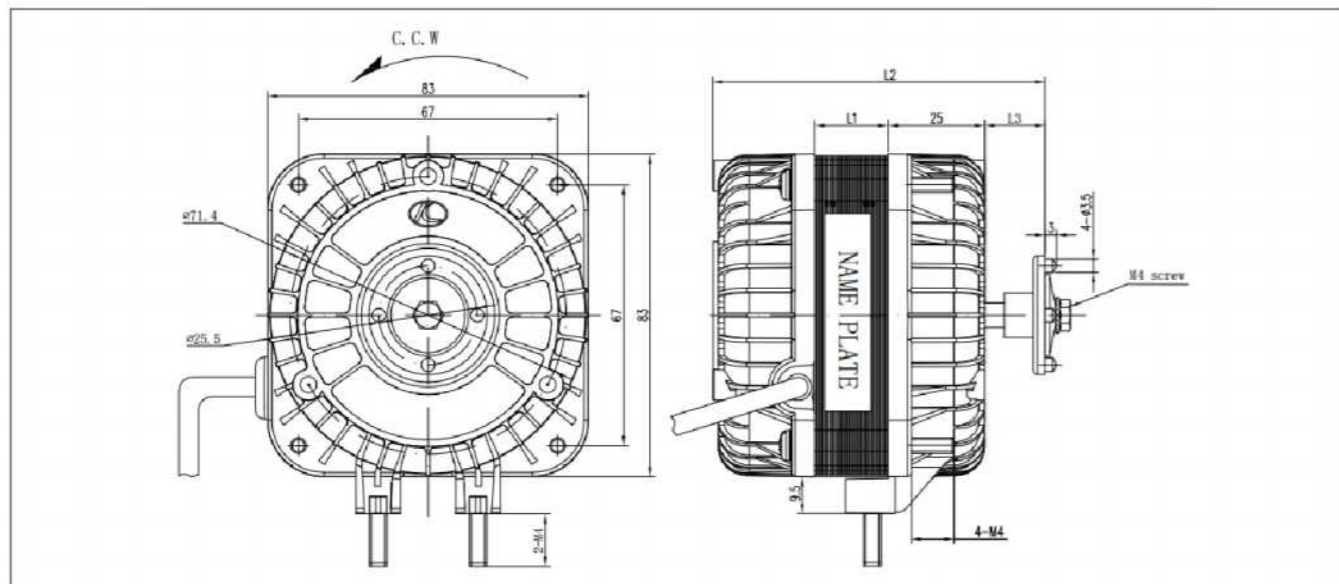
产品应用

Product application

- 暖风机
heater
- 热水器
water heater

外形尺寸

Dimensions



技术参数

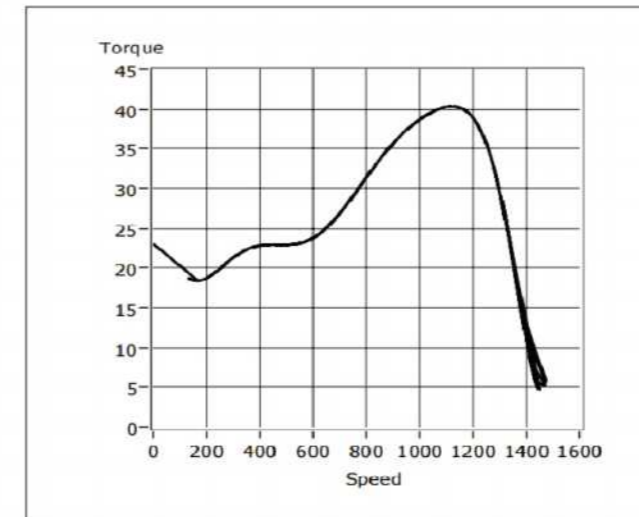
Technical Parameters

| 型号 Model | 尺寸 /Dimensions | | | 参考性能 /Reference Performance | | | | |
|-------------|----------------|--------|-------|-----------------------------|---------------------------|--------------------------------|------------------------------|-------------------------------|
| | L1 | L2 | L3 | 空载转速 No-load (RPM) | 空载功率 Free power (W) | 负载转速 On load speed (RPM) | 负载功率 On load power (W) | 负载转矩 On load Tor (g.cm) |
| YJ82-13 | 13 | 80-94 | 16-30 | 1400/1700 | 26 | 1200 | 33 | 300 |
| YJ82-19 | 19 | 86-100 | 16-30 | 1400/1700 | 32 | 1250 | 40 | 480 |
| YJ82-25 | 25 | 92-106 | 16-30 | 1400/1700 | 40 | 1300 | 48 | 650 |

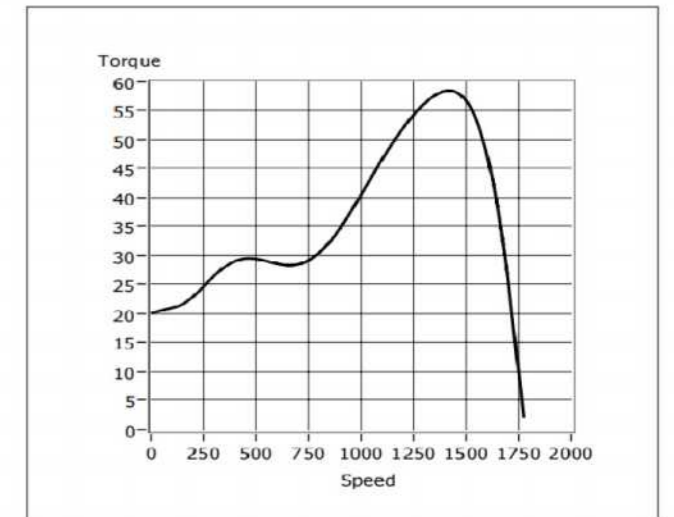
T-S 曲线

T-S Curve

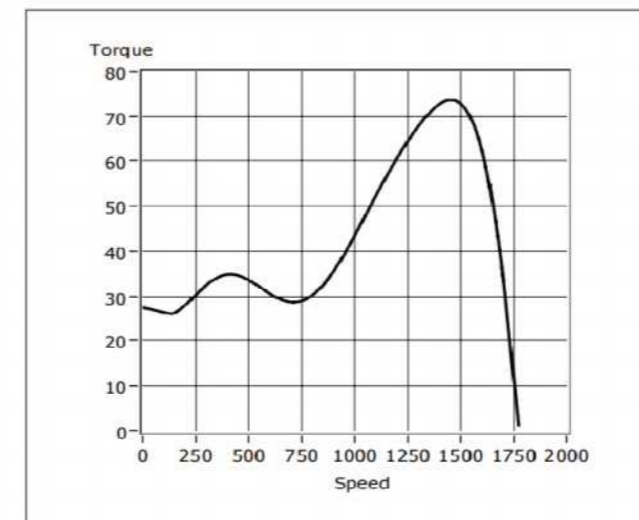
● YJ82-13



● YJ82-19



● YJ82-25



YJ83系列

YJ83 SERIES



性能参数

Technical Data

- 电压: 100-240V
- 频率: 50/60Hz
- 绝缘等级: B/F/H
- 寿命: 1000小时以上 (含油轴承)
- Voltage: 100-240v
- Frequency: 50/60Hz
- Insulation class: B/F/H
- Life: more than 1000 hours (sleeve bearing)

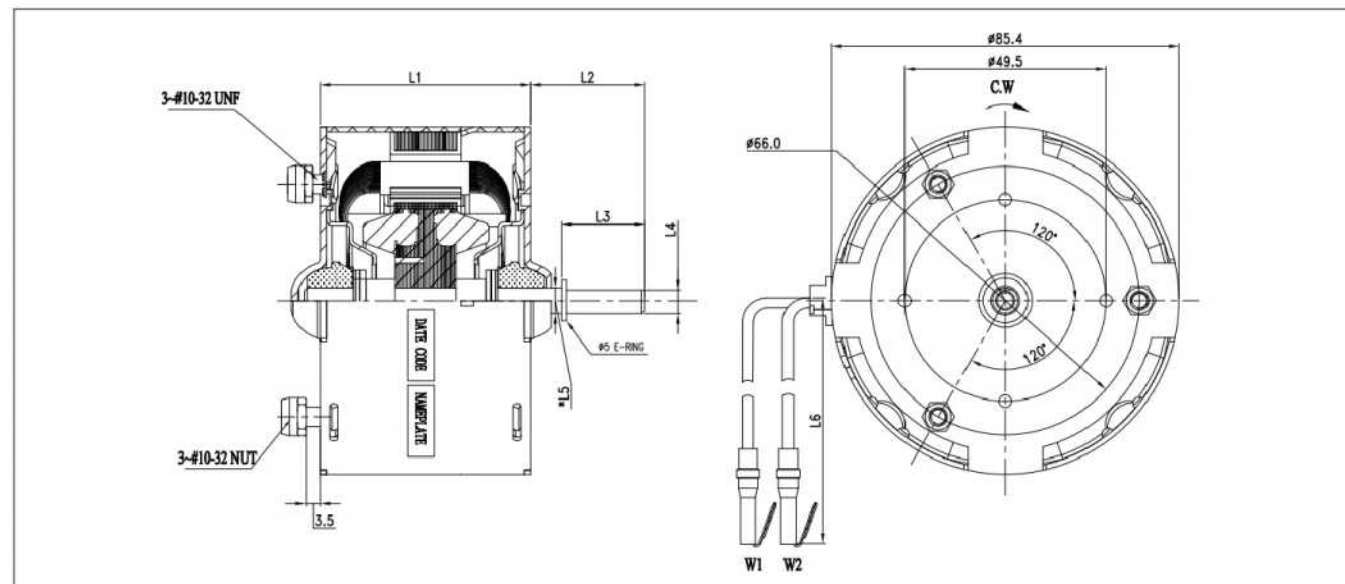
产品应用

Product application

暖风机
Heater

外形尺寸

Dimensions



技术参数

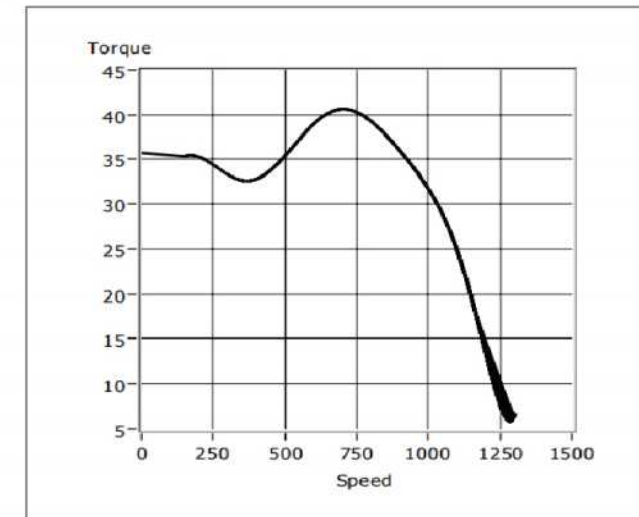
Technical Parameters

| 型号 Model | 尺寸 /Dimensions | | | | | | 参考性能 /Reference Performance | | | | |
|-------------|----------------|-------|-------|----|-------------|---------|-----------------------------|---------------------------|--------------------------------|------------------------------|-------------------------------|
| | L1 | L2 | L3 | L4 | L5 | L6 | 空载转速 No-load (RPM) | 空载功率 Free power (W) | 负载转速 On load speed (RPM) | 负载功率 On load power (W) | 负载转矩 On load Tor (g.cm) |
| YJ83-12 | 48.8 | 25-40 | 15-30 | 5 | Φ6 Or Φ6.35 | 100-400 | 1400/1700 | 31 | 1250 | 40 | 300 |
| YJ83-15 | 51.8 | 25-40 | 15-30 | 5 | Φ6 Or Φ6.35 | 100-400 | 1400/1700 | 37 | 1300 | 45 | 480 |
| YJ83-25 | 61.8 | 25-40 | 15-30 | 5 | Φ6 Or Φ6.35 | 100-400 | 1400/1700 | 42 | 1350 | 50 | 980 |
| YJ83-32 | 68.8 | 25-40 | 15-30 | 5 | Φ6 Or Φ6.35 | 100-400 | 1400/1700 | 88 | 1400 | 100 | 1500 |
| YJ83-35 | 71.8 | 25-40 | 15-30 | 5 | Φ6 Or Φ6.35 | 100-400 | 1400/1700 | 101 | 1400 | 110 | 1780 |
| YJ83-38 | 74.8 | 25-40 | 15-30 | 5 | Φ6 Or Φ6.35 | 100-400 | 2800/3200 | 185 | 2500 | 200 | 1500 |

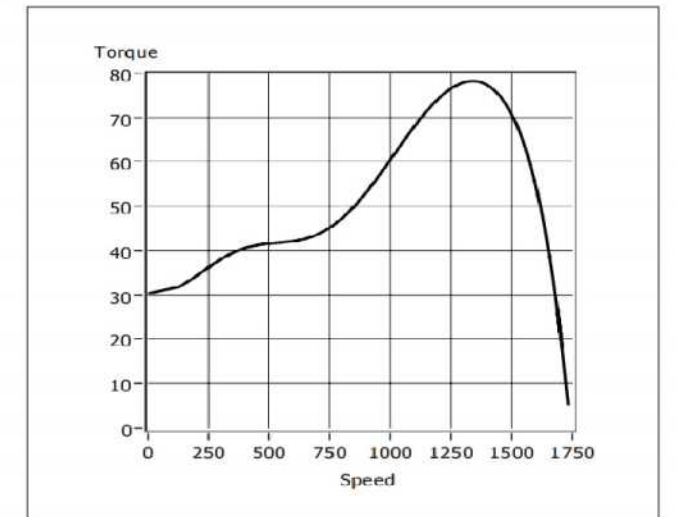
T-S 曲线

T-S Curve

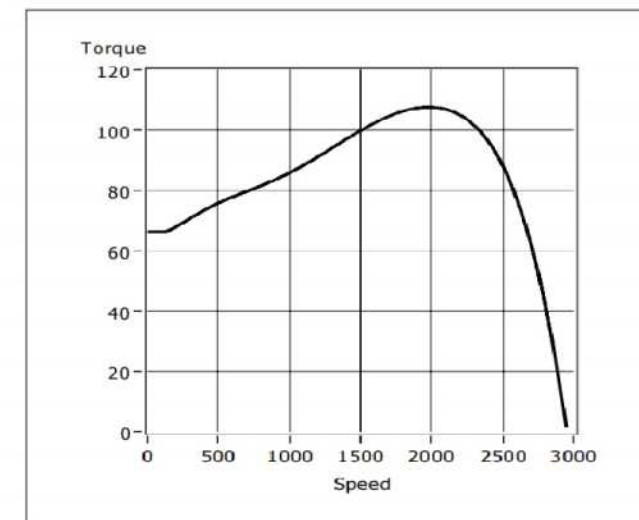
● YJ83-12



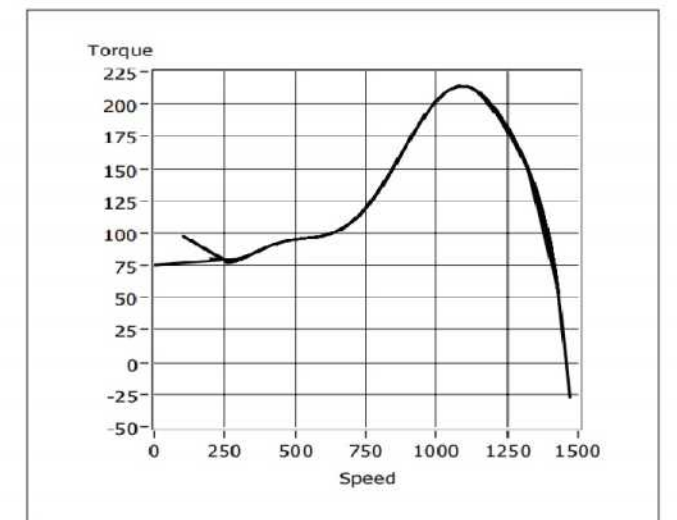
● YJ83-15



● YJ83-25



● YJ83-32



WS46系列

WS46 SERIES



性能参数

Technical Data

- 电压: 220-240V
- Voltage: 220-240V
- 频率: 50/60Hz
- Frequency: 50/60Hz
- 绝缘等级: A
- Insulation class: A
- 寿命: 1000小时以上 (含油轴承)
- Life: more than 1000 hours (sleeve bearing)

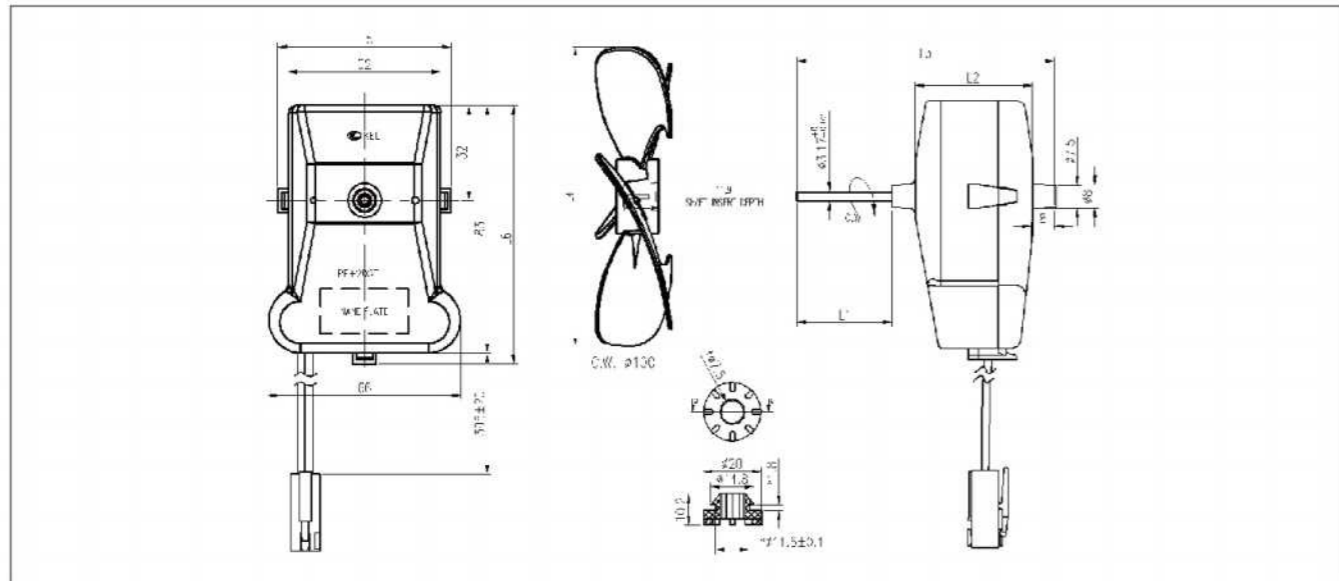
产品应用

Product application

冰箱
Refrigerator

外形尺寸

Dimensions



技术参数

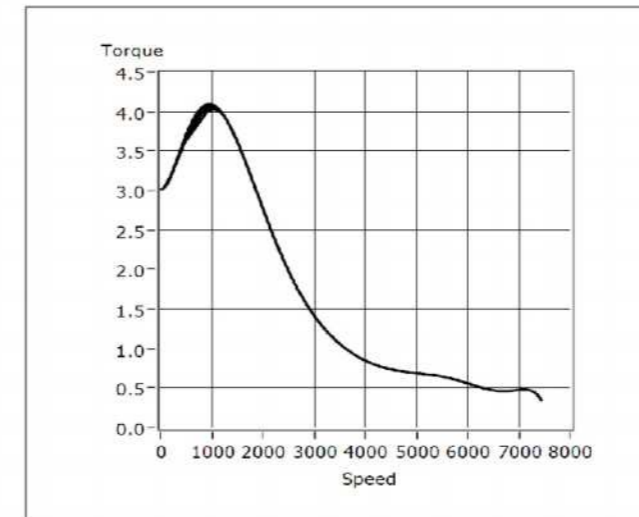
Technical Parameters

| 型号 Model | 尺寸 / Dimensions | | | | | | 参考空载性能 / Reference No-load performance | | | 参考负载性能 / Reference load performance | | | |
|-------------|-----------------|----|------|-----|----|------|--|---------------------------|-----------------------------|-------------------------------------|-------------------------------|---------------------------|-----------------------------|
| | L1 | L2 | L3 | L4 | L5 | L6 | 转速 (RPM) Speed (RPM) | 功率 (W) Power (W) | 电流 (A) Current (A) | 扭矩 (mNm) Torque (A) | 转速 (RPM) Speed (RPM) | 功率 (W) Power (W) | 电流 (A) Current (A) |
| WS46-12A | 32.5 | 40 | 88.5 | 100 | 59 | 86.5 | ≥6000 | 2.3 | 0.07 | 2.3 | 2200 | 1.9 | 0.07 |

T-S 曲线

T-S Curve

● WS46-12A



WP32系列

WP32 SERIES



性能参数

Technical Data

- 电压:12VDC
- 绝缘等级:B
- 寿命:2000小时以上(含油轴承)
- Voltage: 12 VDC
- Insulation class: B
- Life: more than 2000 hours (sleeve bearing)

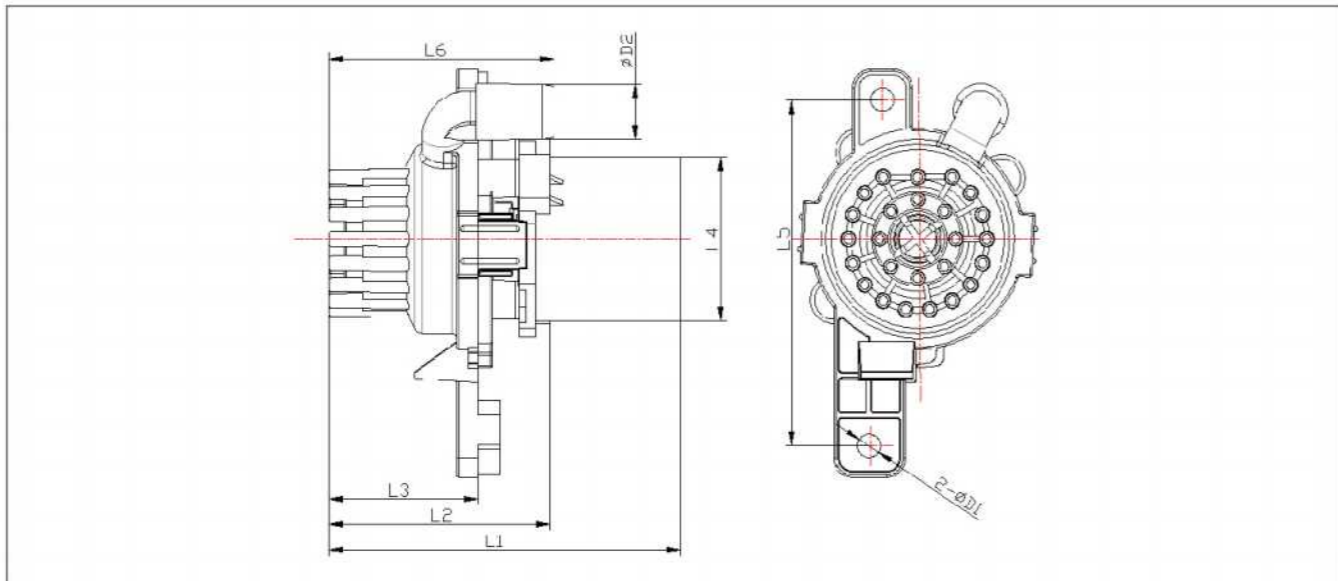
产品应用

Product application

空调水洗系统
air conditioning washing system

外形尺寸

Dimensions



技术参数

Technical Parameters

| 型号 Model | 尺寸 /Dimensions | | | | | | | |
|-------------|----------------|------|------|------|------|------|----|----|
| | L1 | L2 | L3 | L4 | L5 | L6 | D1 | D2 |
| WP32-27 | 76 | 47.5 | 31.3 | 34.5 | 72.8 | 48.9 | 5 | 12 |

| 型号 Model | 参考性能 /Reference Performance | | | | | | | |
|-------------|-----------------------------|---------------------------|-------------------------------|--------------------------------|------------------------------|----------------------------------|-----------------------------|---------------------------|
| | 空载转速 No-load (RPM) | 空载功率 Free power (W) | 负载转矩 On load Tor (g.cm) | 负载转速 On load speed (RPM) | 负载功率 On load power (W) | 最小流量 Minimum flow (mL/Min) | 最小扬程 Minimum lift (m) | 水位 Water level (mm) |
| WP32-27 | 2200 | 0.36 | 2.8 | 1500 | 0.8 | 750 | 0.2 | 10 |

GL30系列 GL30 SERIES



性能参数

Technical Data

- 电压:100-240V
- Voltage: 100-240v
- 频率:50/60Hz
- Frequency: 50/60Hz
- 绝缘等级:A/E/B/F/H/N
- Insulation class: A/E/B/F/H/N
- 寿命:10年(有必要,可以设计达到20年)
- Life: 10 years (if necessary, can be designed to reach 20 years)
- 风轮直径:30mm
- Fan wheel diameter: 30mm
- 长度:100~300mm
- length: 100 ~ 300 mm

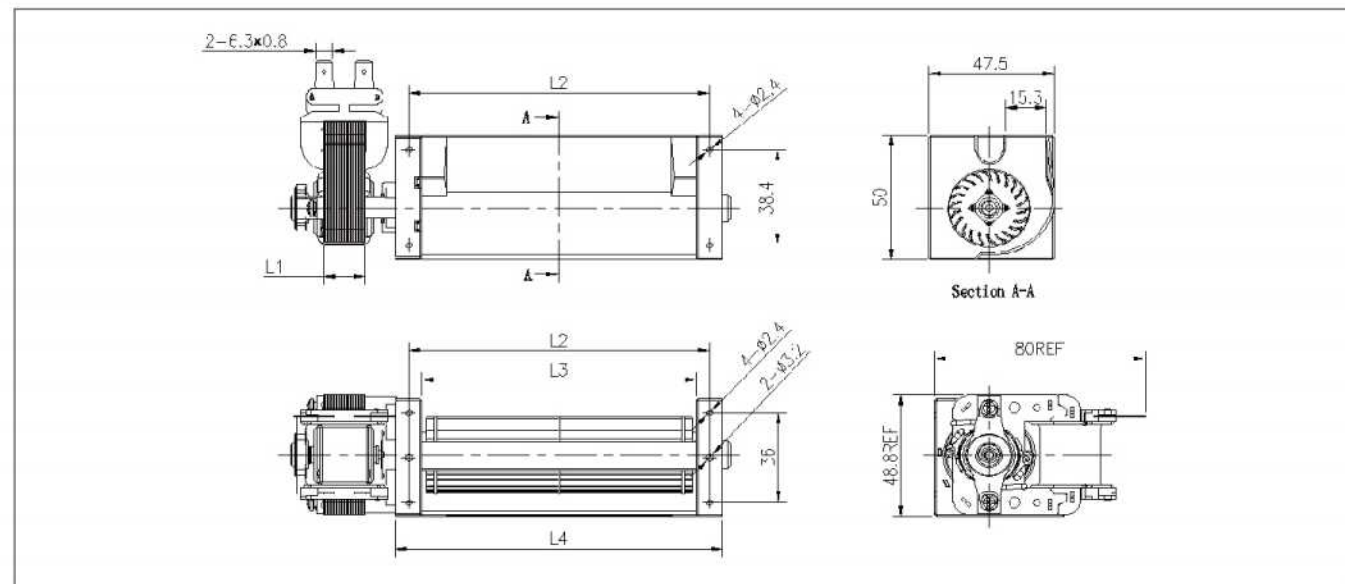
产品应用

Product application

- 烤箱
Ovens
- 冰箱
refrigerators
- 空调
air conditioners
- 壁炉
fireplaces
- 暖风机
heaters
- 通风机
ventilators

外形尺寸

Dimensions



技术参数

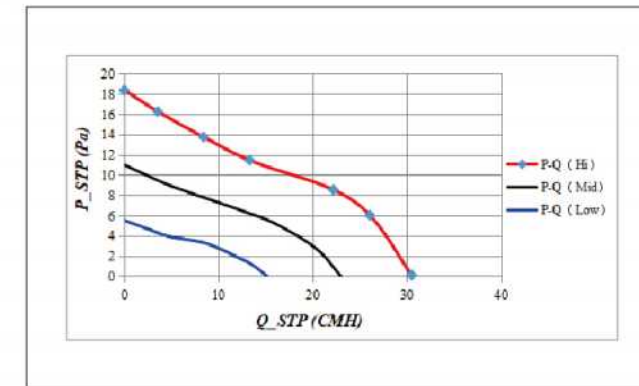
Technical Parameters

| 型号 Model | 尺寸 /Dimensions | | | | 参考性能 /Reference Performance | | | |
|-------------|----------------|-------|-------|-------|-----------------------------|-------------------------|----------------------------|--------------------|
| | L1 | L2 | L3 | L4 | 转速 Speed (RPM) | 风量 air flow (CMH) | 风压 Air pressure (Pa) | 功率 Power (W) |
| GL30×100 | 10.5~ 15.5 | 113.5 | 103.5 | 123.5 | 2000~3300 | 30 | 20 | ≤15 |
| GL30×250 | 10.5~ 15.5 | 258 | 248 | 268 | 1600~3200 | 75 | 20 | ≤20 |
| GL30×300 | 10.5~ 15.5 | 312.6 | 302.6 | 332.6 | 1600~3200 | 90 | 20 | ≤25 |

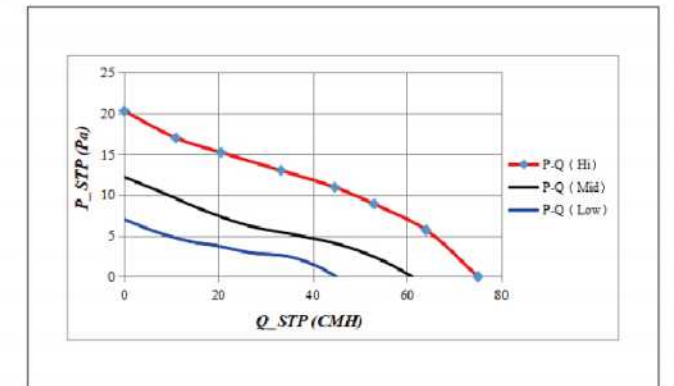
P-Q曲线

P-Q Curve

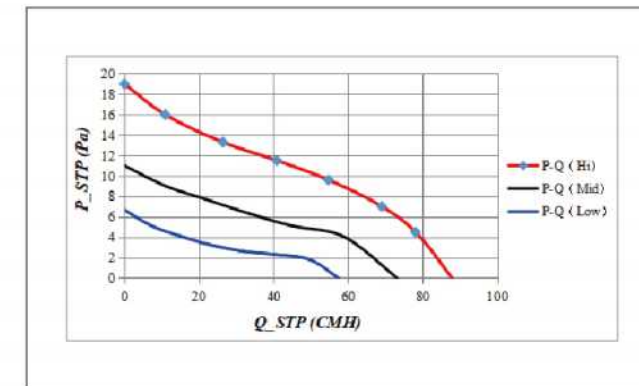
● GL30×100



● GL30×250



● GL30×300



GL45系列

GL45 SERIES



性能参数

Technical Data

- 电压:100-240V
- 频率:50/60Hz
- 绝缘等级:A/E/B/F/H/N
- 寿命:寿命:10年(有必要,可以设计达到20年)
- 风轮直径:45mm
- 长度:125~240mm
- Voltage: 100~240v
- Frequency: 50/60Hz
- Insulation class: A/E/B/F/H/N
- Life: 10 years (if necessary, can be designed to reach 20 years)
- Fan wheel diameter: 45mm
- length: 125 ~ 240 mm

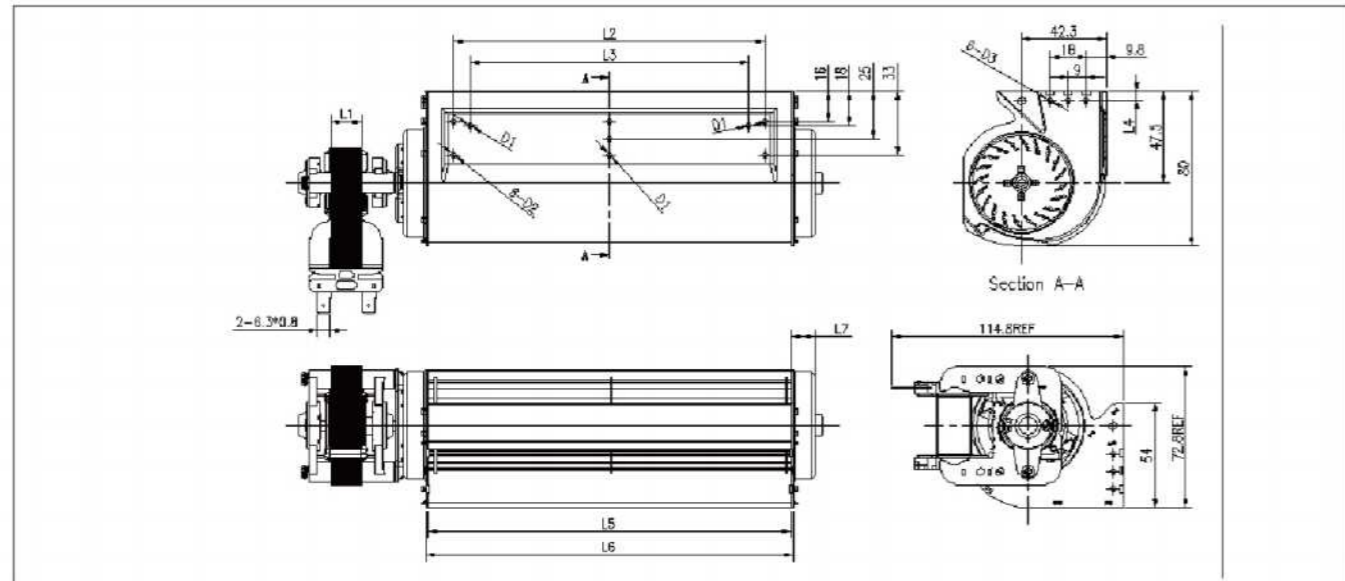
产品应用

Product application

- 烤箱
Ovens
- 冰箱
refrigerators
- 空调
air conditioners
- 壁炉
fireplaces
- 暖风机
heaters
- 通风机
ventilators

外形尺寸

Dimensions



技术参数

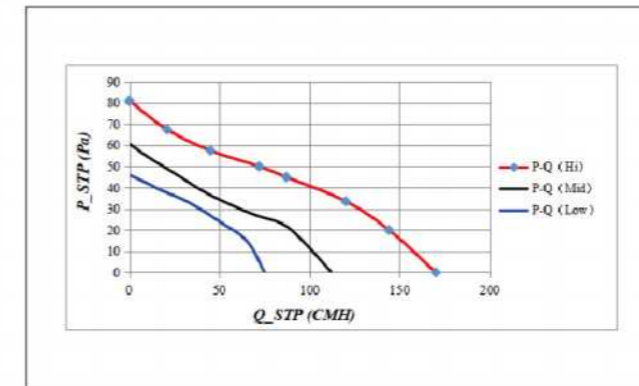
Technical Parameters

| 型号 Model | 尺寸 /Dimensions | | | | | | | | | | 参考性能 /Reference Performance | | | |
|-------------|----------------|-------|------|------------|--------------------------|--------------------------|-----------|------------|------------|------------|-----------------------------|-------------------------|-------------------------------|--------------------|
| | L1 | L2 | L3 | L4 | L5 | L6 | L7 | D1 | D2 | D3 | 转速 Speed (RPM) | 风量 air flow (CMH) | 风压 Air pressure (Pa) | 功率 Power (W) |
| GL45×125 | 10.5~25.5 | / | / | 3.4 or 5.0 | 125 | 127 | 12 | / | / | 2.3 or 3.2 | 1600~2900 | 110 | 70 | ≤25 |
| GL45×160 | 10.5~25.5 | 110 | 84.6 | 3.4 or 5.0 | 162 | 164 | 5.5 | 3.2 | 3.2 | 2.3 or 3.2 | 1400~2900 | 140 | 70 | ≤35 |
| GL45×180 | 10.5~25.5 | 154 | 138 | 3.4 or 5.0 | 180 181 182 188 | 182 183 184 190 | 5.5 or 12 | 2.8 or 3.5 | 3.0 or 3.5 | 2.3 or 3.2 | 1200~2900 | 170 | 80 | ≤45 |
| GL45×240 | 10.5~25.5 | 183.7 | 154 | 3.4 or 5.0 | 242 | 242 | 12 | 2.8 or 3.5 | 3.0 or 3.5 | 2.3 or 3.2 | 1200~2900 | 230 | 80 | ≤45 |

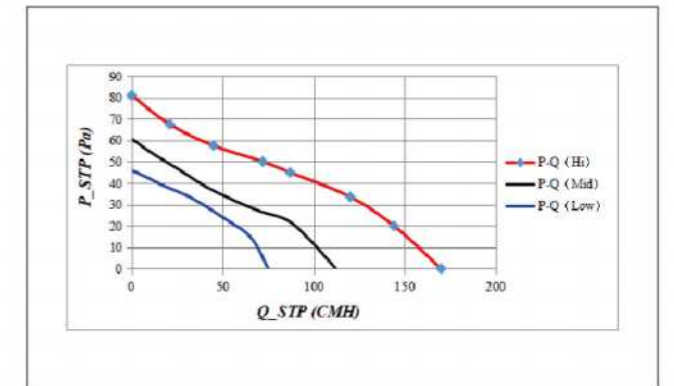
P-Q曲线

P-Q Curve

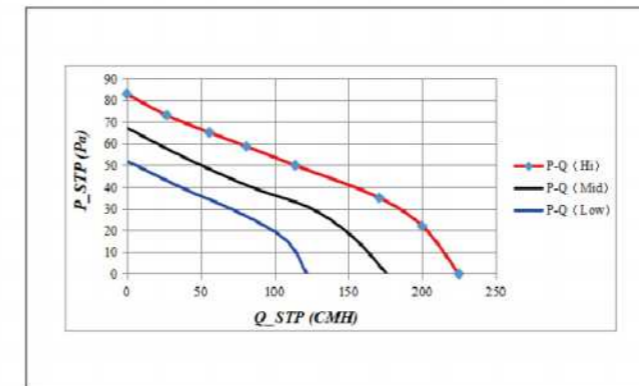
● GL45×125



● GL45×180



● GL45×240



GL60系列 GL60 SERIES



性能参数

Technical Data

- 电压: 100-240V
- Voltage: 100-240v
- 频率: 50/60Hz
- Frequency: 50/60Hz
- 绝缘等级: A/E/B/F/H/N
- Insulation class: A/E/B/F/H/N
- 寿命: 10年 (有必要, 可以设计达到20年)
- Life: 10 years (if necessary, can be designed to reach 20 years)
- 风轮直径: 60mm
- Fan wheel diameter: 60mm
- 长度: 120-360mm
- length: 120-360mm

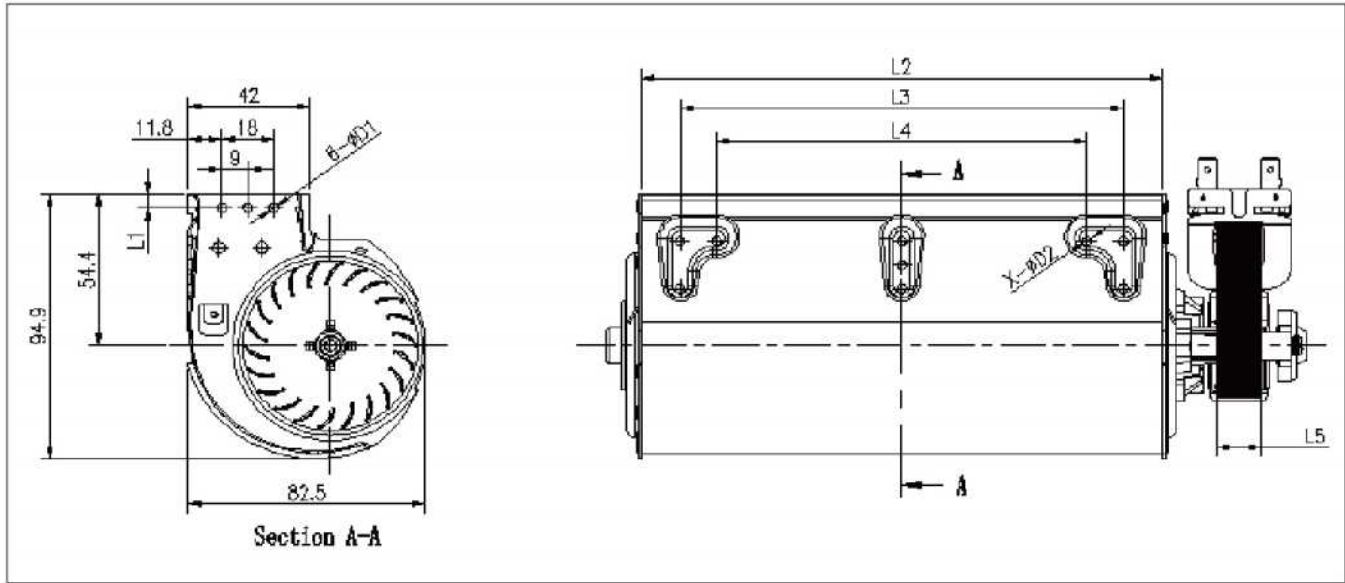
产品应用

Product application

- 烤箱
Ovens
- 冰箱
refrigerators
- 空调
air conditioners
- 壁炉
fireplaces
- 暖风机
heaters
- 通风机
ventilators

外形尺寸

Dimensions



技术参数

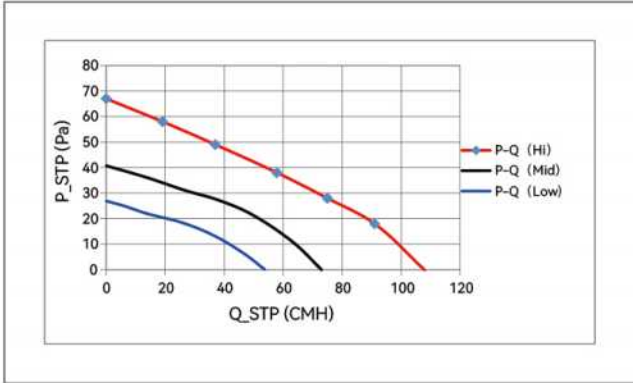
Technical Parameters

| 型号 Model | 尺寸 / Dimensions | | | | | | | | 参考性能 / Reference Performance | | | |
|-------------|-----------------|-------|------|-------|-------|------------|------------|---|------------------------------|-------------------------|----------------------------|--------------------|
| | L1 | L2 | L3 | L4 | L5 | D1 | D2 | X | 转速 speed (RPM) | 风量 air flow (CMH) | 风压 Air pressure (Pa) | 功率 Power (W) |
| GL60×120 | 3.4 Or 5.0 | 121 | 95.5 | / | 10-20 | 2.3 Or 3.2 | 3.0 | 4 | 1900 | 95 | 60 | ≤25 |
| GL60×160 | 3.4 Or 5.0 | 156 | 110 | 84.6 | 10-25 | 2.3 Or 3.2 | 3.4 | 9 | 1900 | 125 | 60 | ≤35 |
| GL60×180 | 3.4 Or 5.0 | 181 | 154 | 128.6 | 10-25 | 2.3 Or 3.2 | 3.2 Or 3.5 | 9 | 2250 | 180 | 80 | ≤45 |
| GL60×183.7 | 3.4 Or 5.0 | 183.7 | 154 | 128.6 | 10-25 | 2.3 Or 3.2 | 3.2 Or 3.5 | 9 | 2250 | 180 | 80 | ≤45 |
| GL60×200 | 3.4 Or 5.0 | 204.7 | 154 | 128.6 | 10-25 | 2.3 Or 3.2 | 3.5 | 9 | 1600 | 140 | 55 | ≤45 |
| GL60×240 | 3.4 Or 5.0 | 242 | 212 | 186.6 | 15-30 | 2.3 Or 3.2 | 3.5 | 9 | 1600 | 170 | 55 | ≤45 |
| GL60×270 | 3.4 Or 5.0 | 272 | 244 | 218.6 | 15-30 | 2.3 Or 3.2 | 3.5 | 9 | 1600 | 200 | 55 | ≤55 |
| GL60×300 | 3.4 Or 5.0 | 303 | 272 | 246.6 | 15-30 | 2.3 Or 3.2 | 3.5 | 9 | 1600 | 230 | 55 | ≤55 |
| GL60×360 | 3.4 Or 5.0 | 366 | 312 | 286.6 | 15-30 | 2.3 Or 3.2 | 3.5 | 9 | 1600 | 300 | 55 | ≤65 |

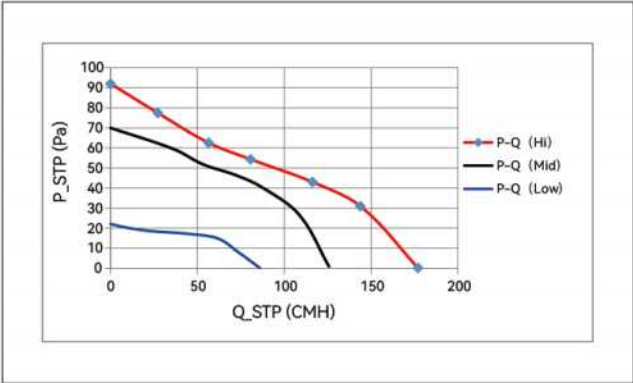
P-Q曲线

P-Q Curve

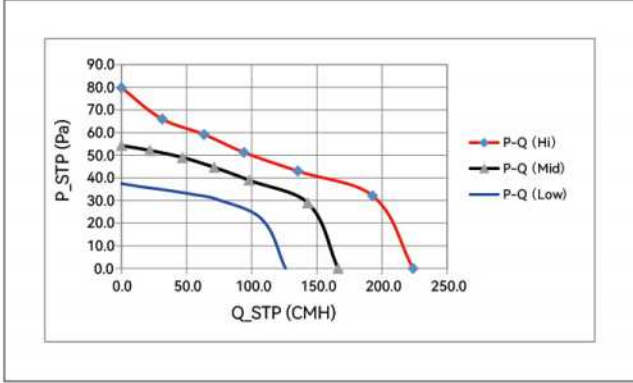
● GL60×120



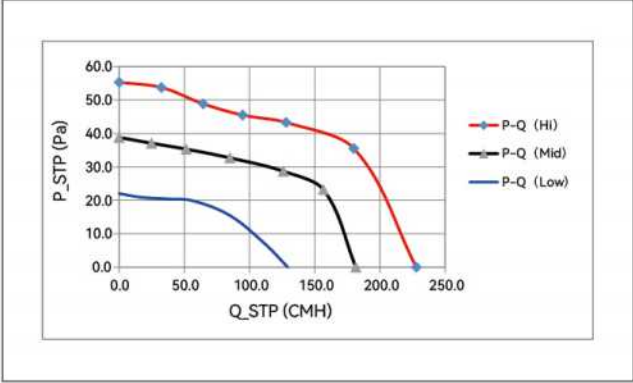
● GL60×180



● GL60×240



● GL60×300



GL65系列

GL65 SERIES



性能参数

Technical Data

- 电压: 100-240V
- 频率: 50/60Hz
- 绝缘等级: A/E/B/F/H/N
- 寿命: 10年 (有必要, 可以设计达到20年)
- 风轮直径: 60mm
- 长度: 120~360mm
- Voltage: 100-240v
- Frequency: 50/60Hz
- Insulation class: A/E/B/F/H/N
- Life: 10 years (if necessary, can be designed to reach 20 years)
- Fan wheel diameter: 60mm
- length: 120~360mm

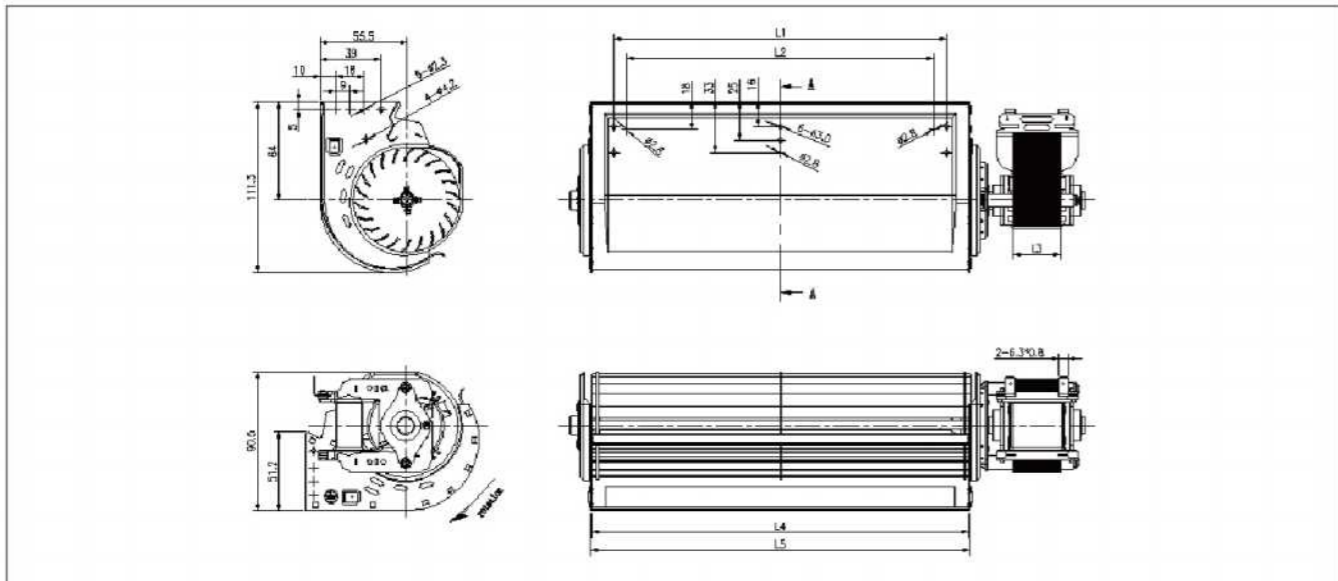
产品应用

Product application

- 烤箱
Ovens
- 冰箱
refrigerators
- 空调
air conditioners
- 壁炉
fireplaces
- 暖风机
heaters
- 通风机
ventilators

外形尺寸

Dimensions



技术参数

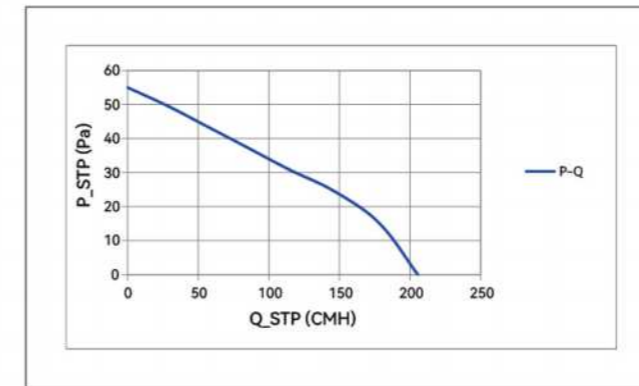
Technical Parameters

| 型号 Model | 尺寸 / Dimensions | | | | | | | | |
|-------------|-----------------|-----|------|-----|-----|----------------------|-------------------------|----------------------------|--------------------|
| | L1 | L2 | L3 | L4 | L5 | 转速 Speed (RPM) | 风量 air flow (CMH) | 风压 Air pressure (Pa) | 功率 Power (W) |
| GL65×240 | 212 | 196 | 30.5 | 240 | 242 | 1350 | 200 | 55 | ≤60 |

P-Q曲线

P-Q Curve

- GL65×240



LX97系列 LX97 SERIES



性能参数

Technical Data

- 电压:100-240V
- 频率:50/60Hz
- 绝缘等级:F/H/N
- 寿命:寿命:10年
- 风轮直径:97mm
- 高度:35mm
- Voltage: 100-240v
- Frequency: 50/60Hz
- Insulation class: /F/H/N
- Life: 10 years
- Fan wheel diameter: 97mm
- Height: 35mm

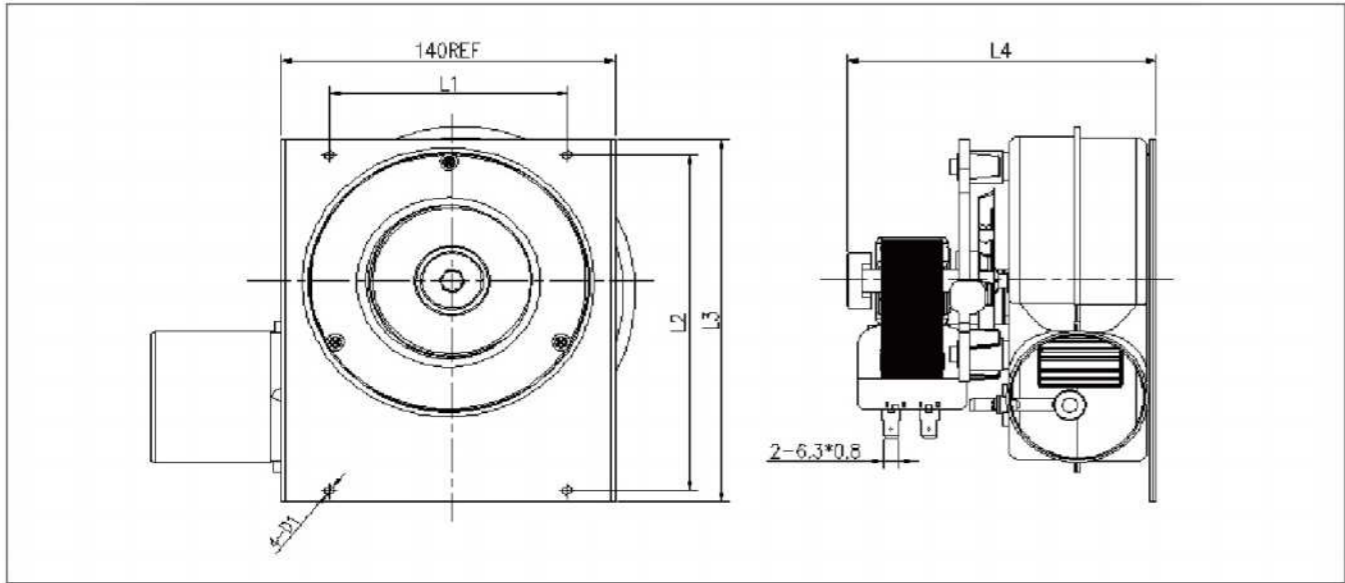
产品应用

Product application

- 壁挂炉 wall-hung furnace
- 消毒柜 disinfection cabinet
- 通风机 ventilator

外形尺寸

Dimensions



技术参数

Technical Parameters

| 型号 Model | 尺寸 /Dimensions | | | | | 参考性能 /Reference Performance | | | |
|-------------|----------------|------------|------------|------------|------------|-----------------------------|-------------------------|----------------------------|--------------------|
| | L1 | L2 | L3 | L4 | D1 | 转速 Speed (RPM) | 风量 air flow (CMH) | 风压 Air pressure (Pa) | 功率 Power (W) |
| LX97×35 | 100 | 153 or 173 | 165 or 185 | 130 or 135 | 4.0 or 6.0 | 1500-2400 | 100 | 200 | ≤55 |

P-Q曲线

P-Q Curve

- GL97×35

