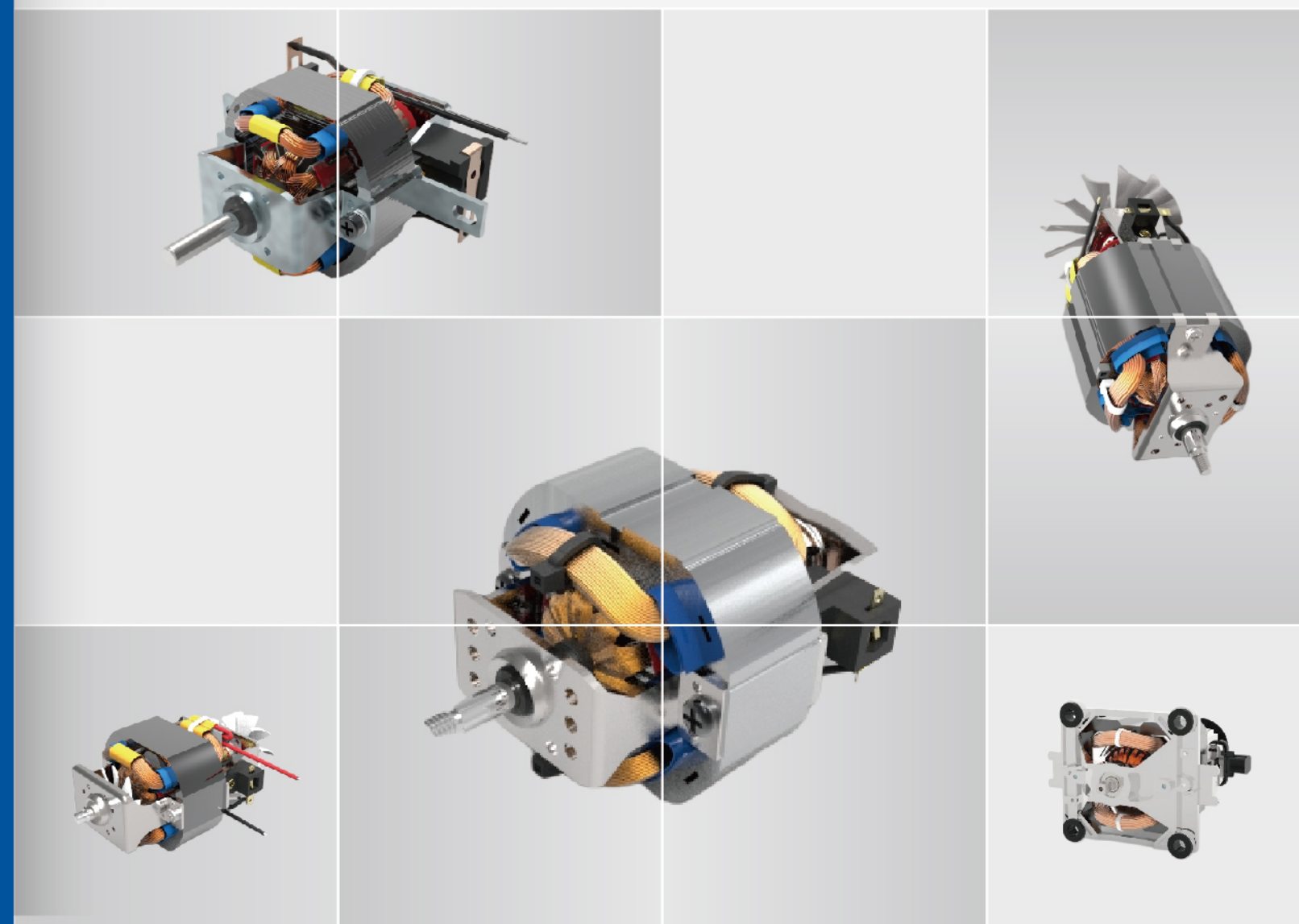




股票代码:002892

深圳市科力尔电机有限公司

SHENZHEN KELI MOTOR LTD.



深圳市科力尔电机有限公司
Shenzhen Keli Motor Ltd.

地址:深圳光明新区公明田寮聚汇工业园2栋 邮编:518132
电话:0755-2719 9886 邮箱:market@kelimotor.com
传真:0755-2719 0886 网址:https://www.kelimotor.com



官方公众号



官方网址



致力于打造电机与驱控系统的世界级的中华民族品牌

Committed to building a world-class Chinese national brand of motor and drive control system

CONTENTS

目录

01	公司介绍 BRAND HONOR, QUALIFICATION AND CERTIFICATE	P01
02	品牌荣誉、资质、证书 COMPANY PROFILE	P03
03	生产设备 PRODUCTION EQUIPMENT	P05
04	应用领域 APPLICATION FIELD	P07
05	技术概念 TECHNICAL CONCEPT	P08
06	产品优势 Product advantages	P09
07	产品介绍 PRODUCT DESCRIPTION	P11

- 46系列
- 54系列
- 63系列
- 70系列
- 76系列
- 88系列
- 95系列
- 98系列

公司介绍

COMPANY INTRODUCTION

深圳市科力尔电机有限公司成立于2009年6月, 注册资本15000万, 是科力尔电机集团股份有限公司(股票代码002892)的全资子公司。是一家专业从事各类交流直流微电机研发、生产、销售的国家高新技术企业。公司致力于专业的电机解决方案及服务, 产品广泛应用于各类厨房家电, 个人护理, 智能家居家电、电动及园林工具类等领域。产品包括有HC46-HC98, DC等三十多个系列。配备有高效率自动化产线, 现有年产量达到2000万台以上。

公司以客户需求为中心, 密切关注行业发展动态, 不断优化产品, 推陈出新, 为客户创造新的价值和增长点。产品畅销美国、欧洲、中东和东南亚等国家和地区, 与国内外众多知名企业深度合作, 如美的, 苏泊尔, 格兰仕, 伊莱克斯、通用等。公司重视产品质量管理与控制, 拥有ISO9001质量管理体系认证, 获得了3C、UL、CSA、JIS、IEC、VDE、TUV等全球不同国家或区域的产品安规认证, 同时充分运用PLM /PDM、6σ等管理工具从设计到交货进行产品全过程、全周期的设计与质量管控, 交货准时, 品质稳定。

Shenzhen Kelier Motor Co., Ltd. was established in June 2009 with a registered capital of 150 million. It is a wholly-owned subsidiary of Kelier Motor Group Co., Ltd. (stock code 002892). It is a national high-tech enterprise specializing in the research and development, production and sales of various types of AC and DC micromotors. The company is committed to professional motor solutions and services, and its products are widely used in various kitchen appliances, personal care, smart home appliances, electric and garden tools and other fields. Products include more than 30 series such as HC46-HC98 and DC. Equipped with high-efficiency automated production lines, the existing annual output has reached more than 20 million units.

The company focuses on customer needs, pays close attention to the development of the industry, continuously optimizes products, introduces new products, and creates new value and growth points for customers. The products sell well in the United States, Europe, the Middle East and Southeast Asia and other countries and regions, and have in-depth cooperation with many well-known enterprises at home and abroad, such as Midea, Supor, Galanz, Electrolux, GM, etc. The company attaches great importance to product quality management and control, has ISO9001 quality management system certification, and has obtained 3C, UL, CSA, JIS, IEC, VDE, TUV and other product safety certifications in different countries or regions around the world, and makes full use of PLM/PDM, 6σ And other management tools from design to delivery to carry out the design and quality control of the whole process and cycle of the product, the delivery is on time and the quality is stable.



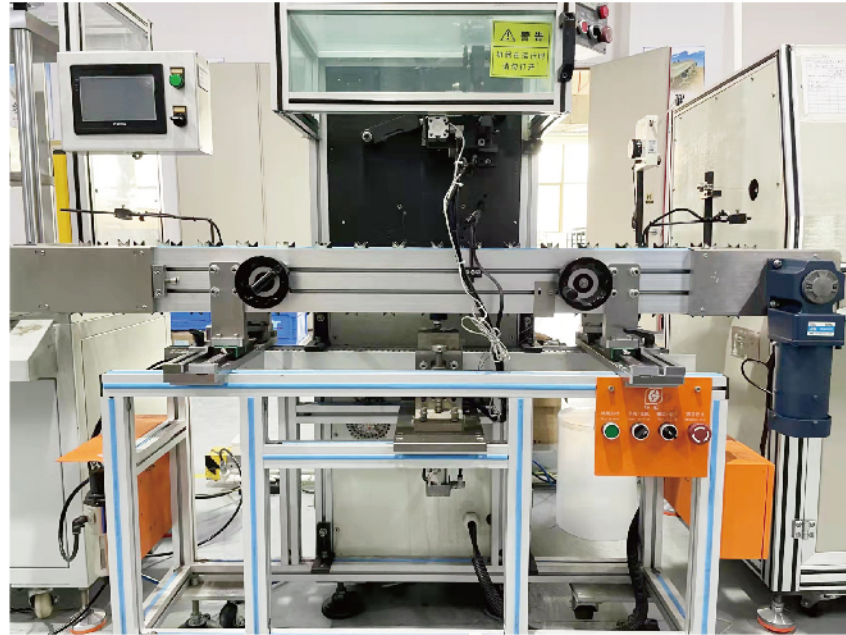
品牌证书

BRAND CERTIFICATE



生产设备

PRODUCTION EQUIPMENT



转子自动入槽纸机 /Rotor automatic slot paper machine



转子绕线机 /Rotor winding machine



自动定子入槽机以及自动绕线机 /Automatic stator slotting machine and automatic winding machine



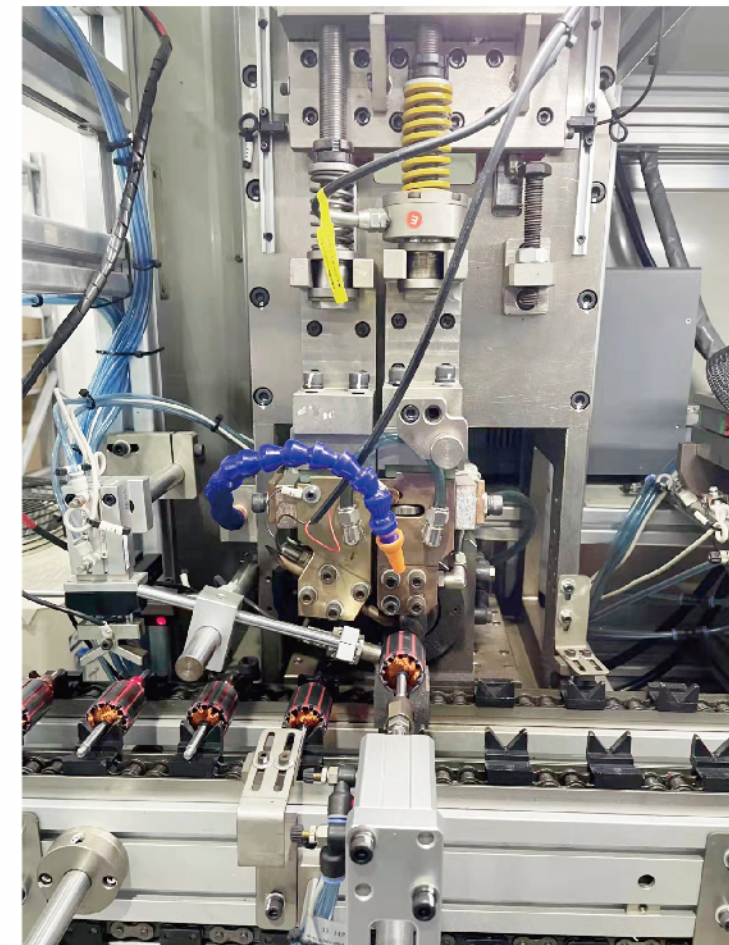
转子机械手 /Rotor manipulator



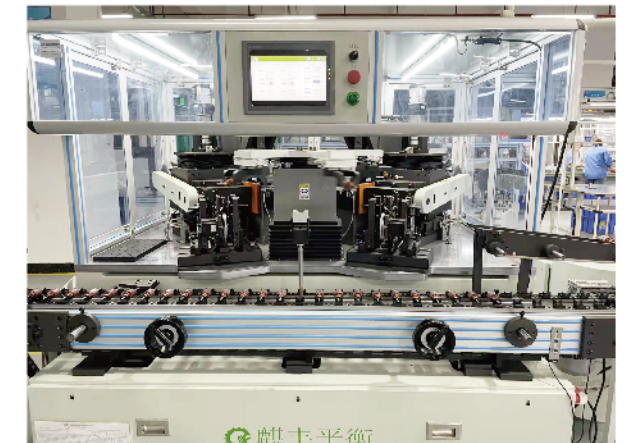
转子滴油机 /Rotor oil drip machine



定子沉浸机 /Stator immersion machine



自动点焊机 /Automatic spot welding machine



5工位自动平衡机 /5-station automatic balancing machine



总装自动线 /Assembly automatic line

应用领域

APPLICATION FIELD

广泛应用于智能厨卫家电、电动工具、美容美发等行业。

Widely used in smart kitchen and bathroom appliances, electric tools, beauty salon industry, etc.



技术概念

TECHNICAL CONCEPT

利用磁场和电流的相互作用：通电导体在磁场中产生电磁力，使导体旋转，把电能转变成机械能；因励磁绕组和电枢绕组串联，而称为单相串励电机。

Utilizing the interaction of magnetic field and current: the energized conductor generates electromagnetic force in the magnetic field, which causes the conductor to rotate and converts electrical energy into mechanical energy; because the field winding and the armature winding are connected in series, it is called a single-phase series motor.

- 根据电机的定子铁芯外径划分为46、54、63、70、76、88、95、98等系列。
According to the outer diameter of the stator core of the motor, it is divided into 46, 54, 63, 70, 76, 88, 95, 98 and other series.
- 标准机型是针对市场应用性和普及性而设计的产品，经多年生产和供应，质优价廉。
The standard model is a product designed for market applicability and popularity. After years of production and supply, it has high quality and low price.
- 我们可以根据客户的需求，提供定制设计。
We can provide customized designs according to customer needs.
- 产品安规认证：c-UL、CQC等。
Product safety certification: c-UL, CQC, etc
- 材料环保检测：RoHS、REACH等。
Material environmental protection testing: RoHS, REACH, etc
- 单相串励电机的工作电压和频率
Working voltage and frequency of single-phase series motor

Type	Country	Voltage/Frequency	Country	Voltage/Frequency
AC	USA	120V/60Hz	China	220V/50Hz
	Euro	220-240V 50-60Hz	China Taiwan	110V/60Hz
	Japan	100V 50/60Hz	Korea	220V/60Hz
DC		24V		

产品优势

PRODUCT ADVANTAGES

01

型号齐全 COMPLETE MODEL

型号系列齐全：46、54、70、76、88、95、98等

02

性能卓越 EXCELLENT PERFORMANCE

转速高、力矩大、过载能力强、噪音低、寿命长等

03

结构多样 DIVERSE STRUCTURE

可根据需求定制结构

04

质量保障 DIVERSE STRUCTURE

国际接轨的质量管理体系



科力尔
-KELI-

05

安全可靠 SAFE AND RELIABLE

产品取得3C/CE/UL等多个权威认证

06

快速选型 QUICK SELECTION

多年的累积的技术优势以及众多应用案例可快速选取合适的型号推荐给客户参考

07

交付期短 SHORT DELIVERY TIME

具备优秀强大的试产和研发团队可以快速响应客户的需求，选型、定制化、快速交样等

08

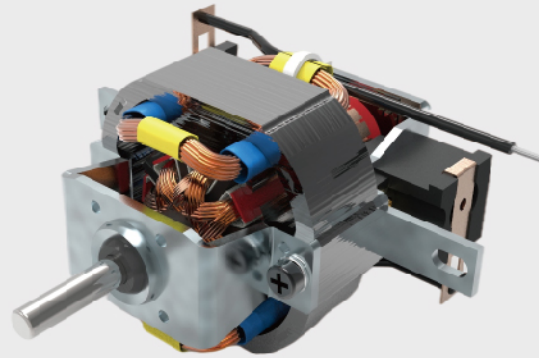
专利技术 PATENTED TECHNOLOGY

多年的电机应用方案设计、创新经验，构筑了较强的技术优势



46系列

46 SERIES



产品特点

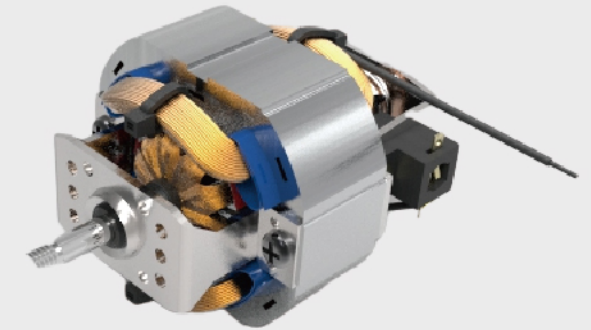
Product features

- 功率/转速和电机型号等可根据客户要求定制
- 功率/转速和电机型号等可根据客户要求定制
- 结构紧凑
- With compact structure
- 重量较轻
- Light weight

应用: 电吹风、手持搅拌器等
Application: hair drier, blender, etc

54系列

54 SERIES



产品特点

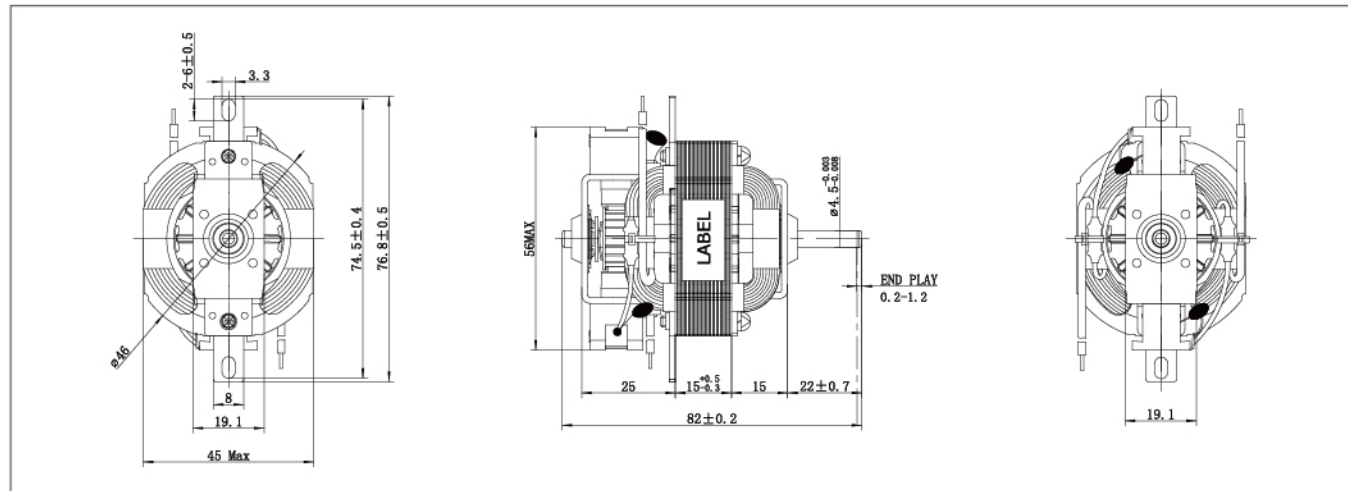
Product features

- 功率/转速和电机型号等可根据客户要求定制
- 功率/转速和电机型号等可根据客户要求定制
- 尺寸适应性好
- Good size adaptability
- 体积小
- Small volume

应用: 电吹风、搅拌机、碎纸机、果汁机、磨豆机、切片机、气泵等
Application: hair drier, blender, paper shredder, juice machine, coffee grinder, slicer, air pump, etc

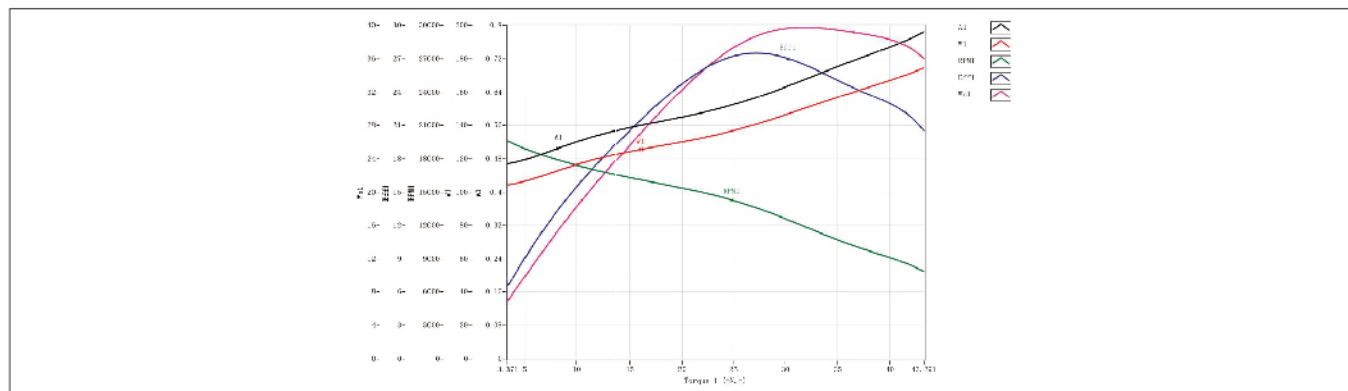
产品尺寸(电吹风)

Dimension (Hair drier)



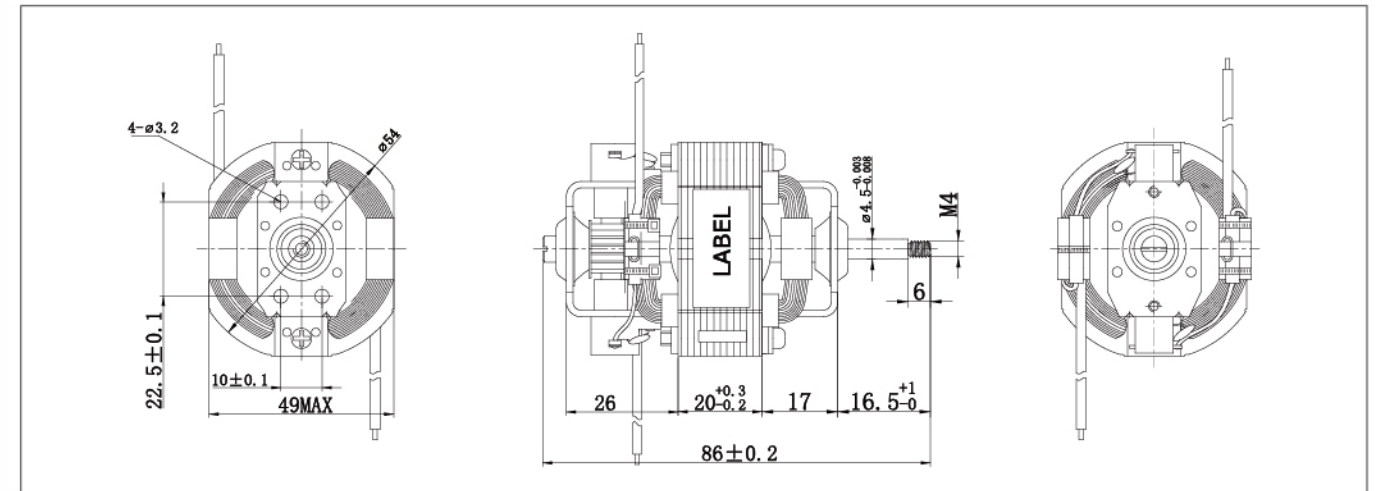
性能曲线(电吹风)

Performance curve (Hair drier)



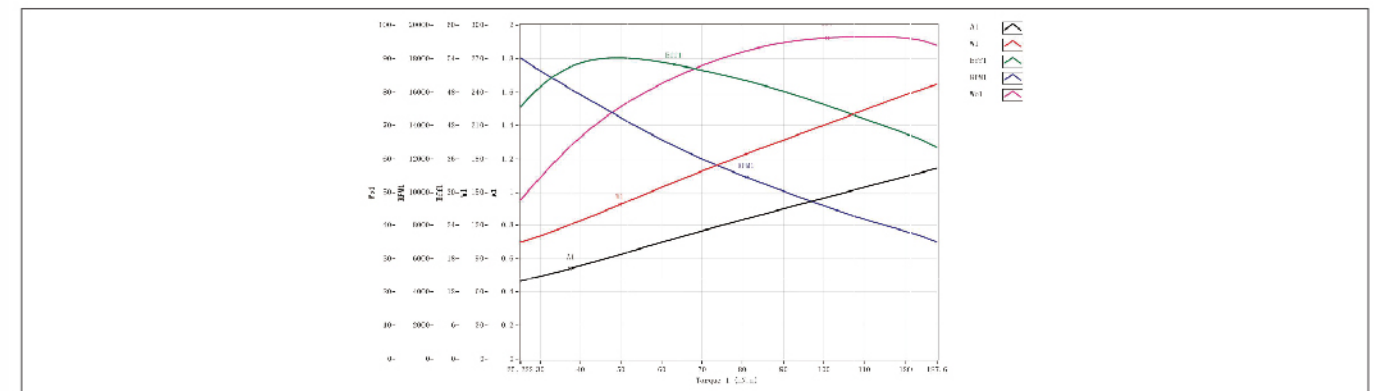
产品尺寸(搅拌机)

Dimension (Blender)



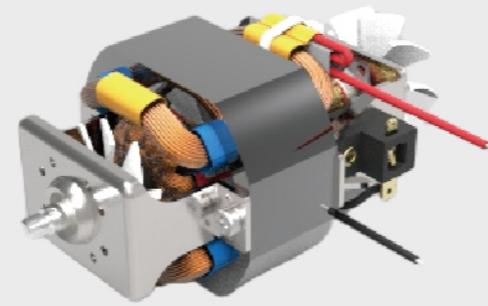
性能曲线(搅拌机)

Performance curve (Blender)



63系列

63 SERIES



产品特点

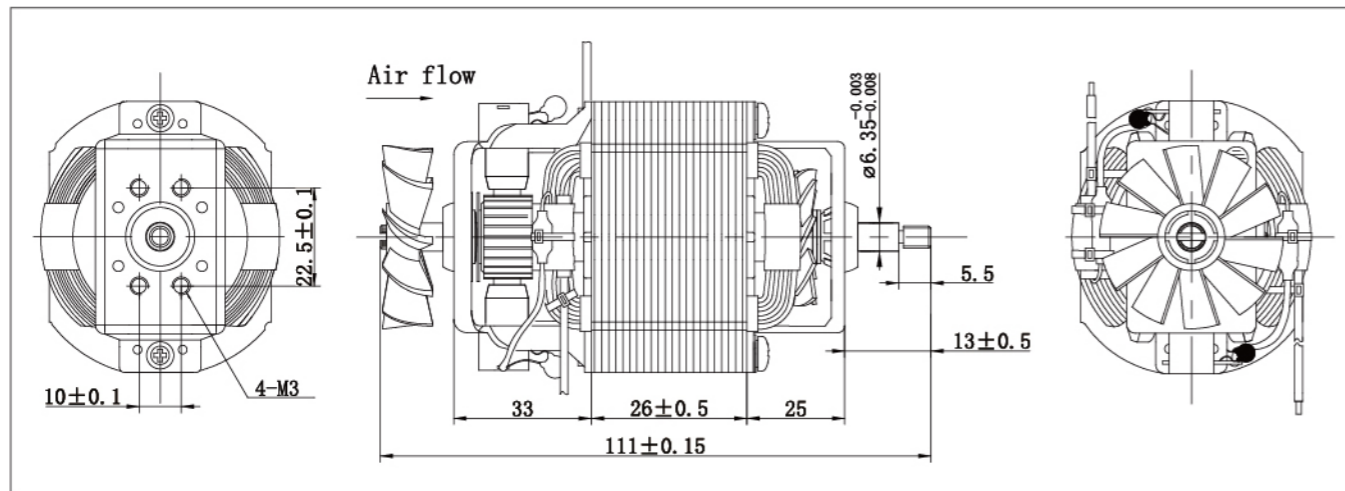
Product features

- 功率/转速和电机型号等可根据客户要求定制
- 尺寸适应性好
- 体积小
- Power/speed and model can be customized according to customer requirements
- Good size adaptability
- Small volume

应用: 搅拌机、碎纸机、果汁机、豆浆机等
Application: blender, paper shredder, juice machine, soy milk machine, etc

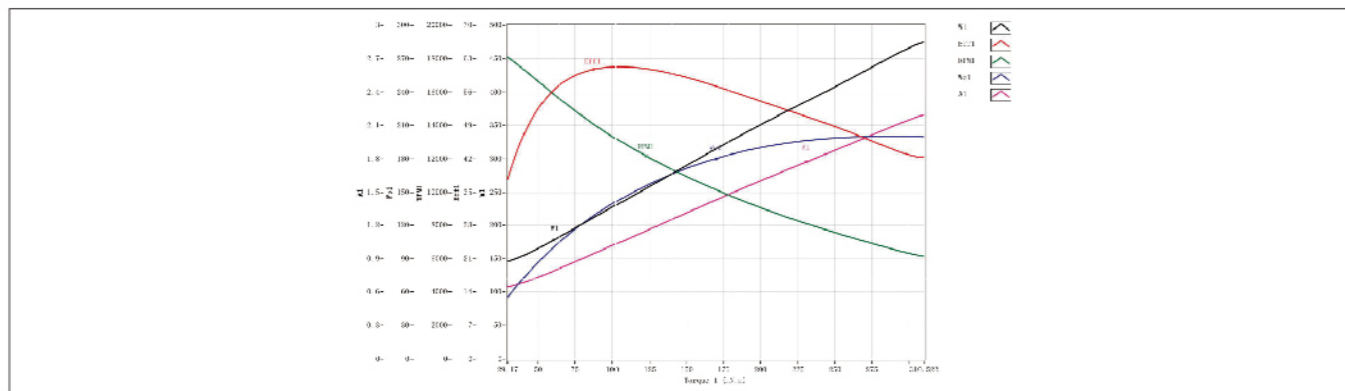
产品尺寸(搅拌机)

Dimension (Blender)



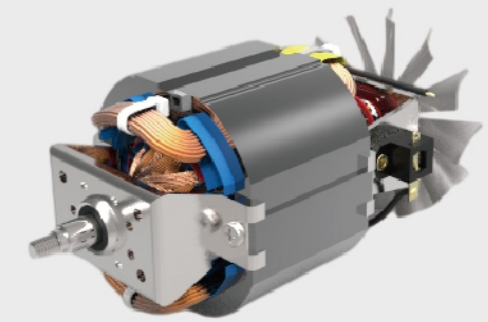
性能曲线(搅拌机)

Performance curve (Blender)



70系列

70 SERIES



产品特点

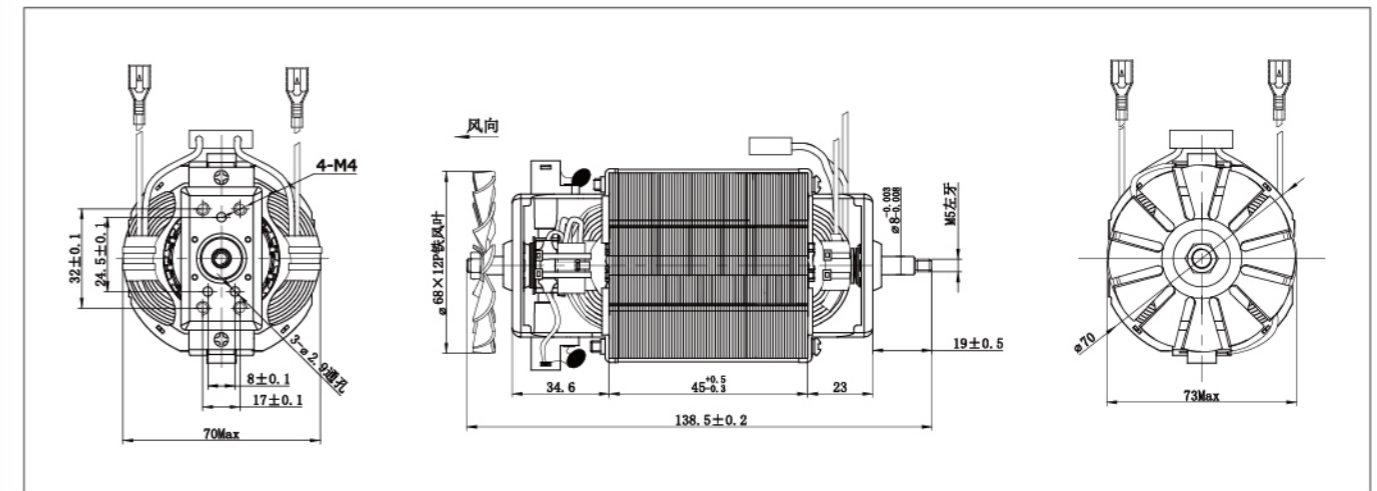
Product features

- 功率/转速和电机型号等可根据客户要求定制
- 综合性能优秀
- 通用性好
- Power/speed and model can be customized according to customer requirements
- Excellent comprehensive performance
- Good versatility

应用: 搅拌机、果汁机等
Application: blender, juice machine, etc

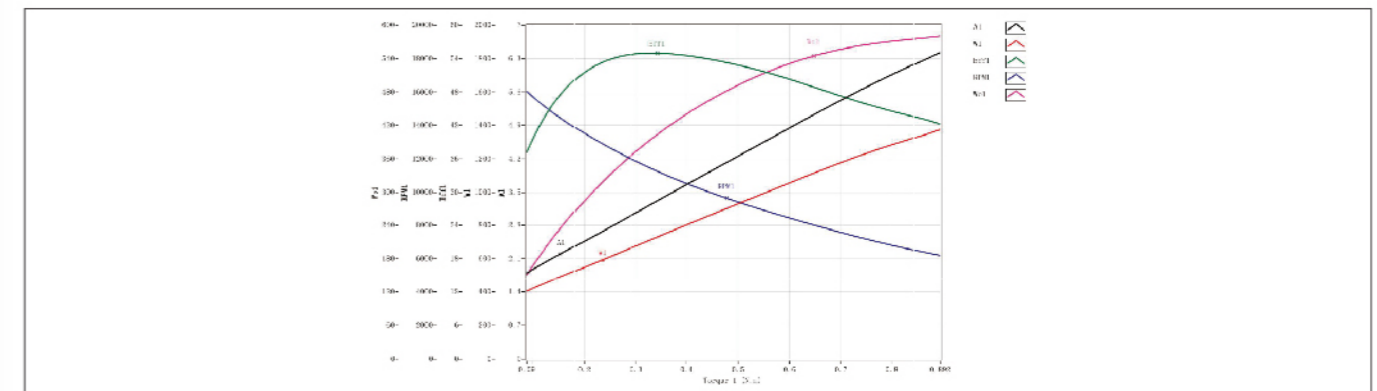
产品尺寸(搅拌机)

Dimension (Blender)



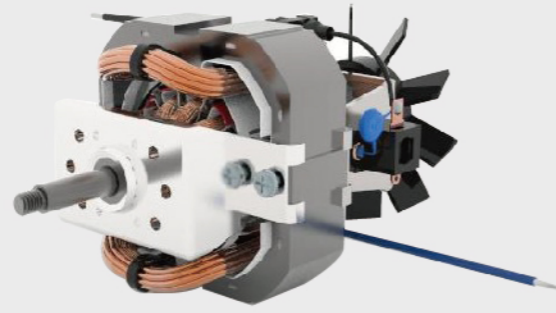
性能曲线(搅拌机)

Performance curve (Blender)



76系列

76 SERIES



产品特点

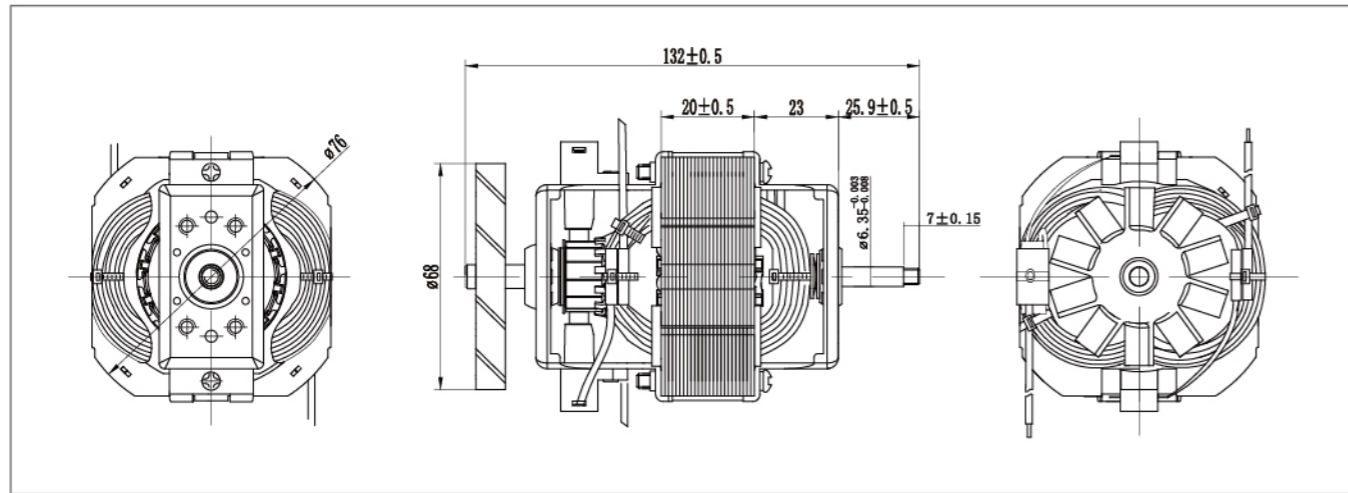
Product features

- 功率/转速和电机型号等可根据客户要求定制
- 尺寸适应性好
- 通用性好
- Power/speed and model can be customized according to customer requirements
- Excellent comprehensive performance
- Good versatility

应用: 搅拌机、厨师机等
Application: blender, chef machine, etc

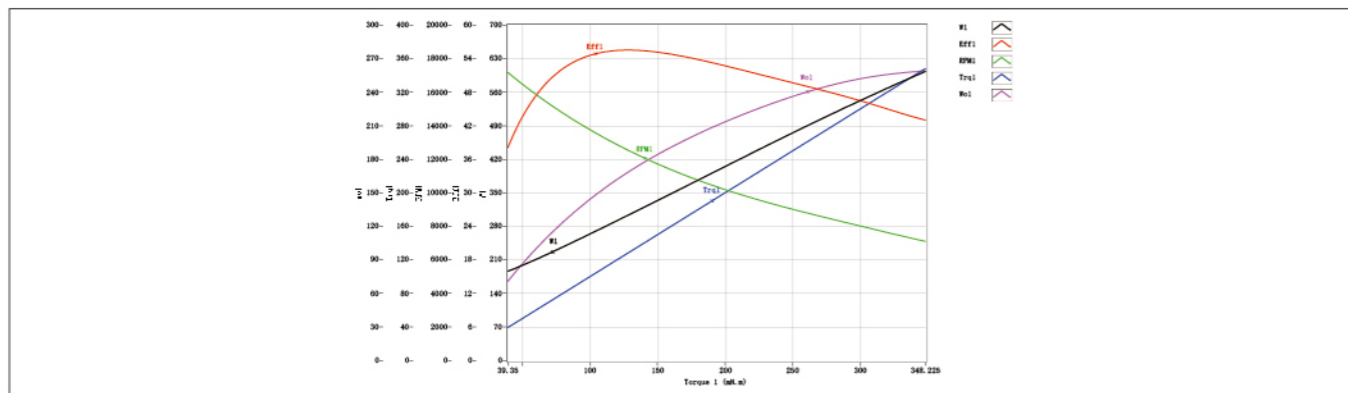
产品尺寸(搅拌机)

Dimension (Blender)



性能曲线(搅拌机)

Performance curve (Blender)



88系列

88 SERIES



产品特点

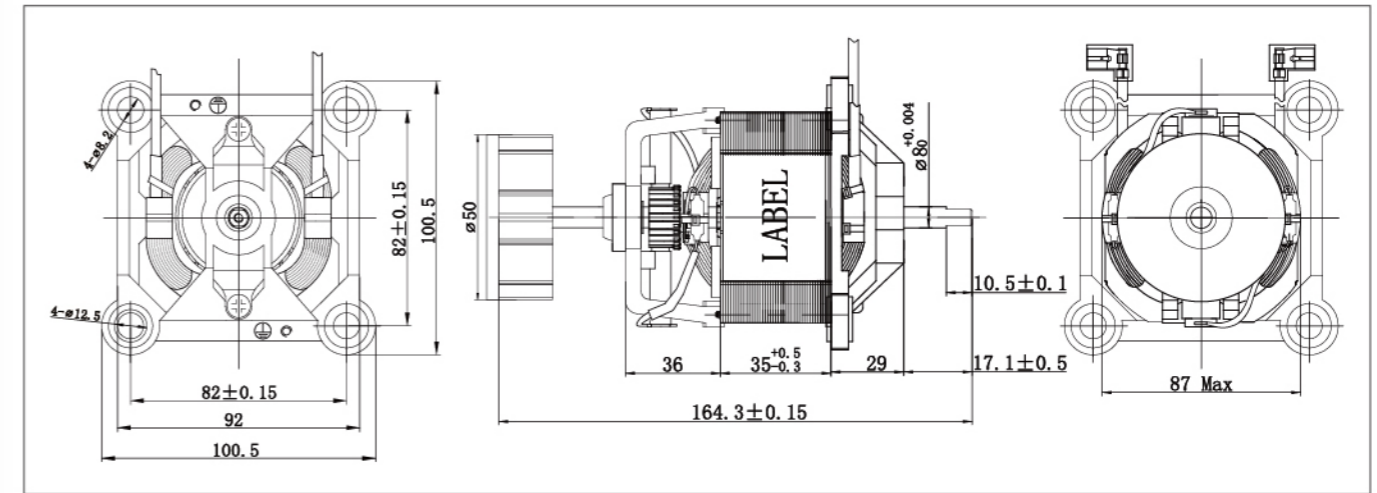
Product features

- 功率/转速和电机型号等可根据客户要求定制
- 结构强度高
- 扭力输出平稳
- 寿命长
- Power/speed and model can be customized according to customer requirements
- High structural strength
- Stable torque output
- Long life

应用: 绞肉机、揉面机、破壁机等
Application: meat grinder, kneading machine, wall breaking machine, etc

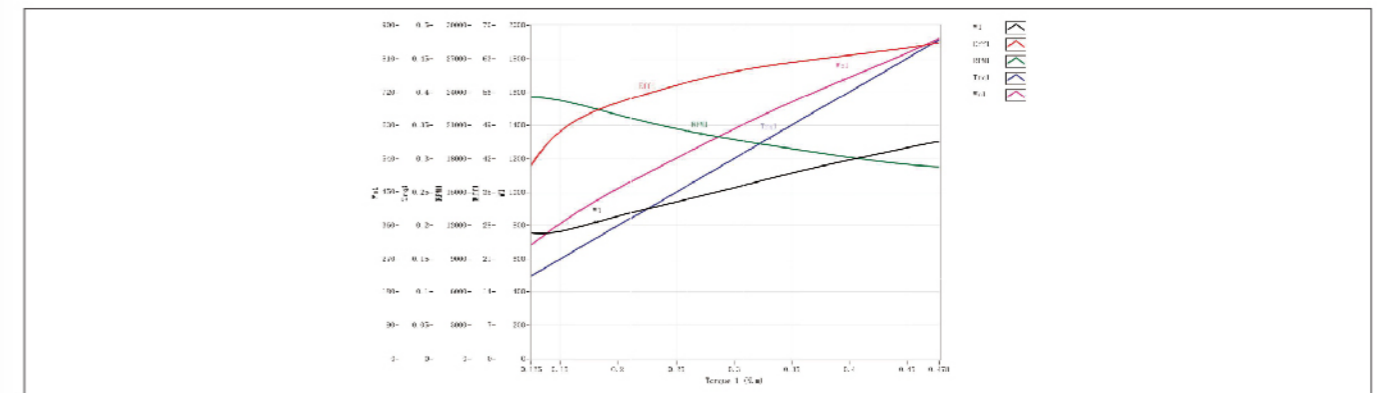
产品尺寸(破壁机)

Dimension (Wall breaking machine)



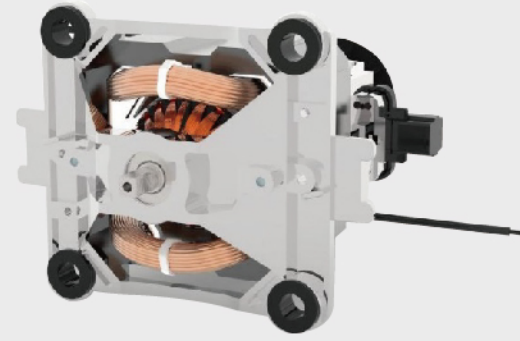
性能曲线(破壁机)

Performance curve (Wall breaking machine)



95系列

95 SERIES



产品特点

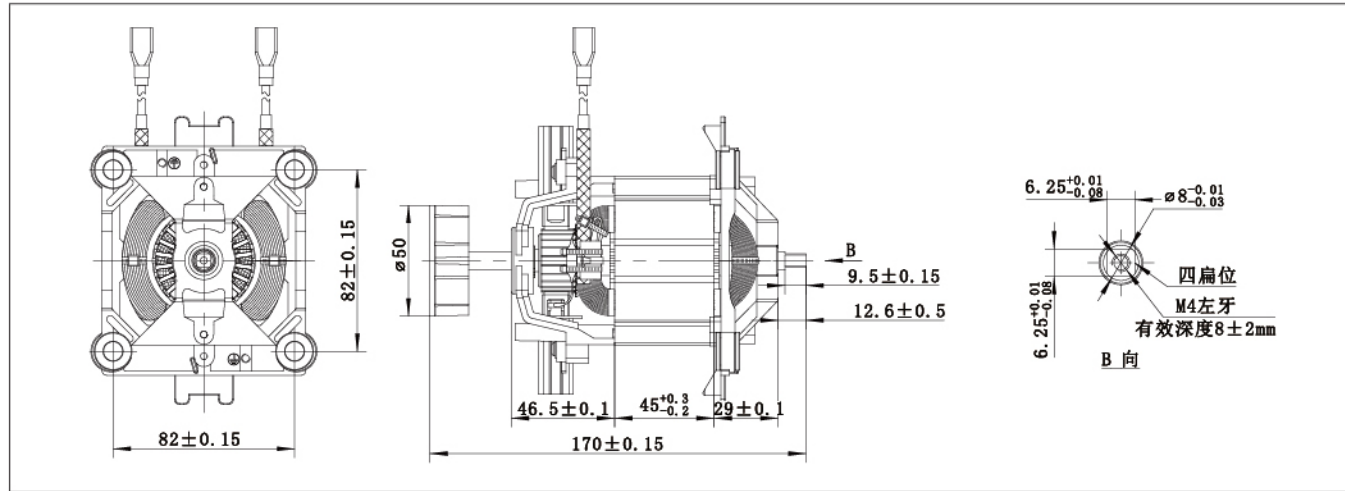
Product features

- 功率/转速和电机型号等可根据客户要求定制
- 高转速
- 高效率
- 大扭矩
- Power/speed and model can be customized according to customer requirements
- High speed
- High efficiency
- High torque

应用:搅拌机、高速破壁机等
Application: blender, high-speed wall breaking machine, etc

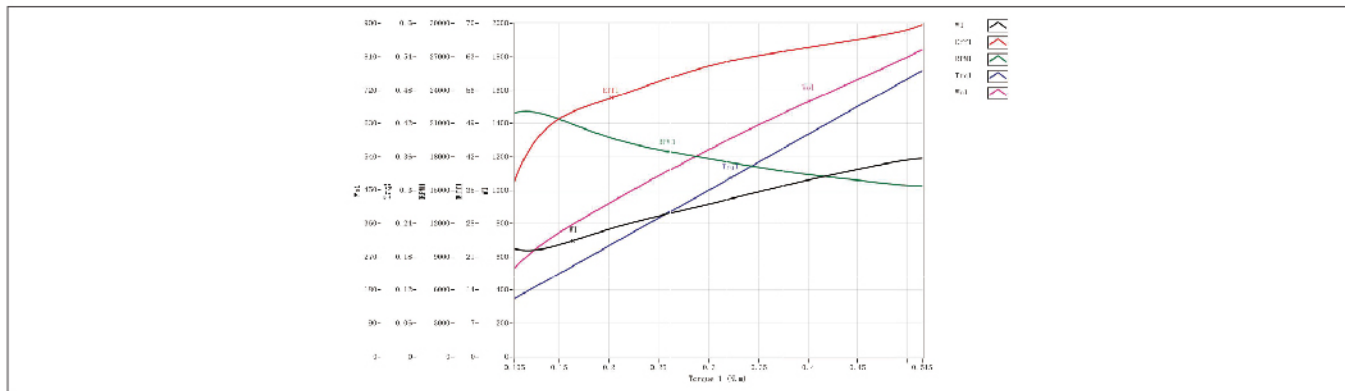
产品尺寸(破壁机)

Dimension (Wall breaking machine)



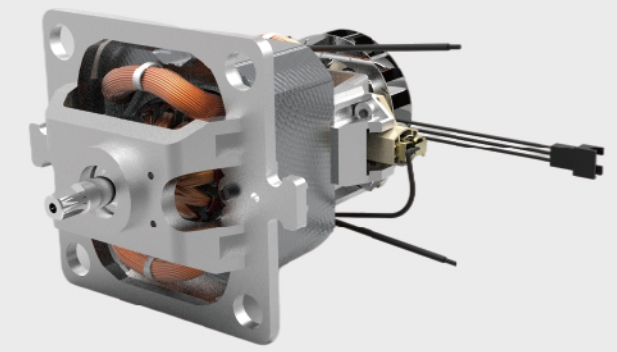
性能曲线(破壁机)

Performance curve (Wall breaking machine)



98系列

98 SERIES



产品特点

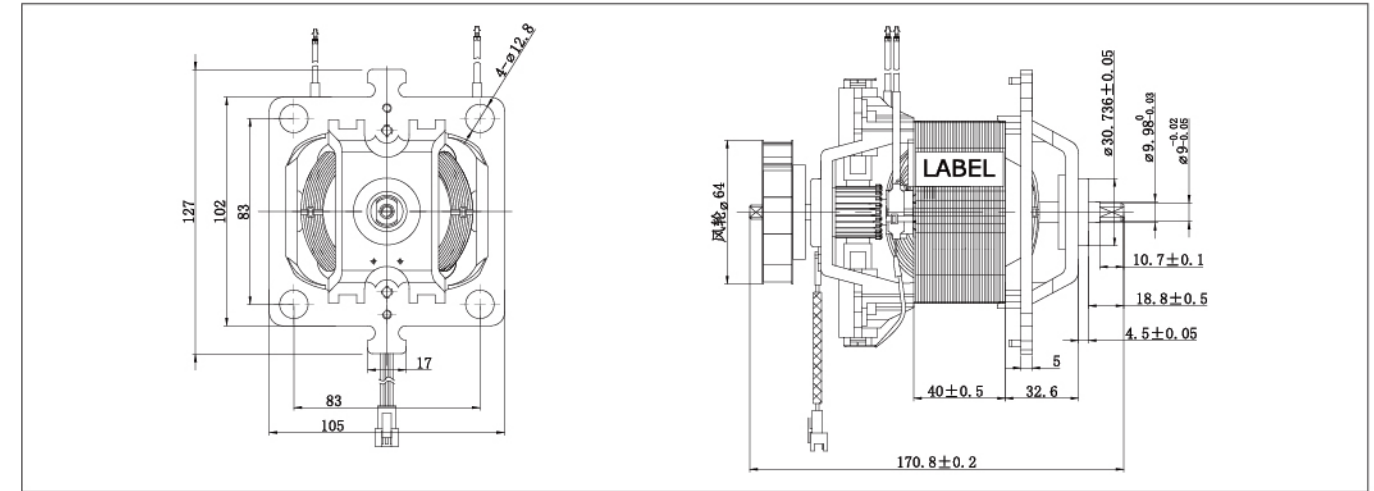
Product features

- 功率/转速和电机型号等可根据客户要求定制
- 高效率
- 大扭矩
- 寿命长
- Power /speed and model can be customized according to customer requirements
- High efficiency
- High torque
- Long life

应用:绞肉机、揉面机、破壁机等
Application: meat grinder, kneading machine, wall breaking machine ,etc

产品尺寸(破壁机)

Dimension (Wall breaking machine)



性能曲线(破壁机)

Performance curve (Wall breaking machine)

