



For really tight bends – iwis plate chains

Task/challenge: Ensuring the reliable, smooth conveying and storage of workpieces and workpiece carriers on narrow serpentine tracks.

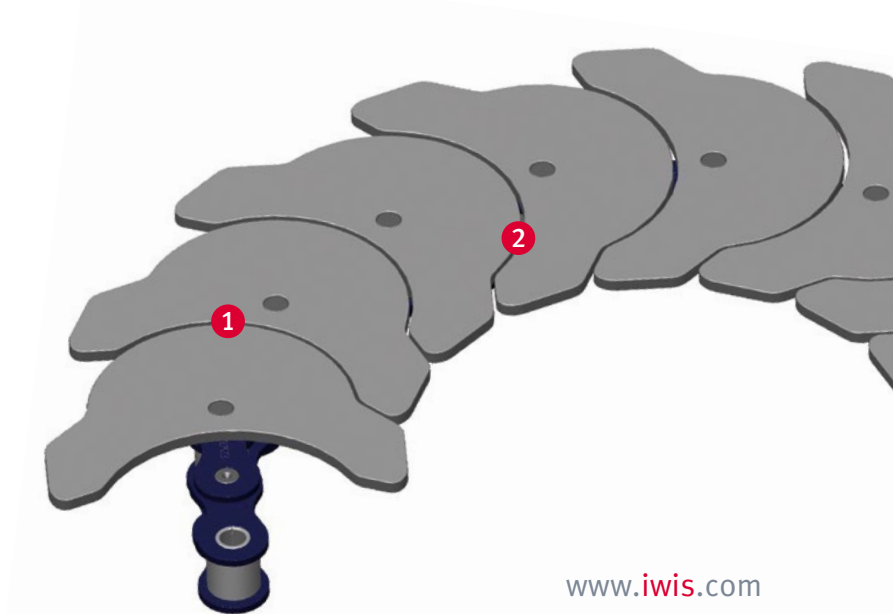
Our solution: JWIS brand plate chains with **special plates** pressed directly onto the chain pins guarantee an **absolutely flat, step-free** transport track in the tightest of spaces.

Highlights

- 1 Wide variety of different plate shapes allows individualised conveyor system design
- 2 Various alternative plate materials available

Applications

- Conveyor technology
- Beverage industry
- Automotive industry
- General engineering
- Packaging and food industry
- Medical technology and pharmaceutical industry
- Machine-to-machine linking and automation
- Storage and buffer systems
- Tool transport
- Under-floor conveyors





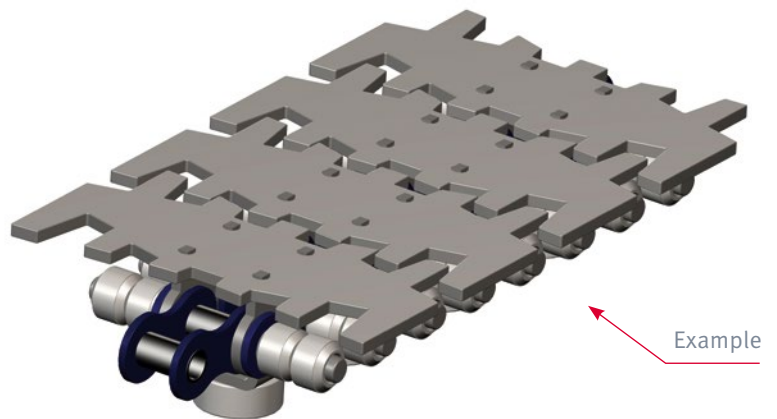
Additional highlights

- The iwis plate chain program includes roller chains according to standard ISO 606 (DIN 8187), ISO 1275 (DIN 8181) as well as works standard
- Guarantees an absolutely flat, step-free transport track
- Low noise emission
- Effective protection of functional areas of the chain
- Intermeshing design of plates provides a continuous flat surface for workpiece transport
- Special plate shape allows the construction of very tight bends
- Long conveying distances possible in very small spaces
- No risk of injury
- DIN sprockets may be used
- CAD data of all plate chain types available

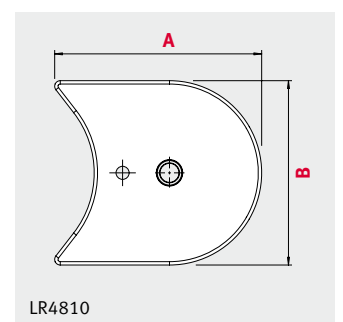
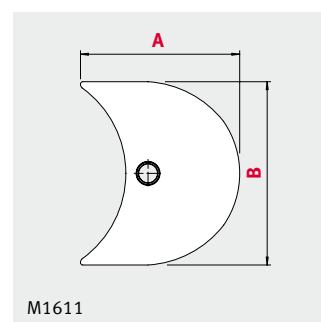
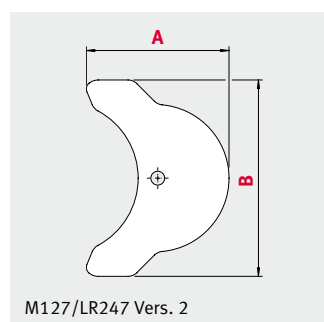
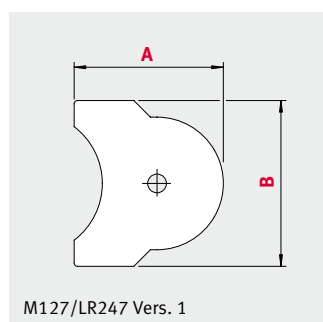
Know-how/Engineering

If required, iwis will design **customer-specific solutions** for conveyor systems. Our design engineers will provide support with the **configuration, calculation and construction** of new conveyors.

Contact us for more details!



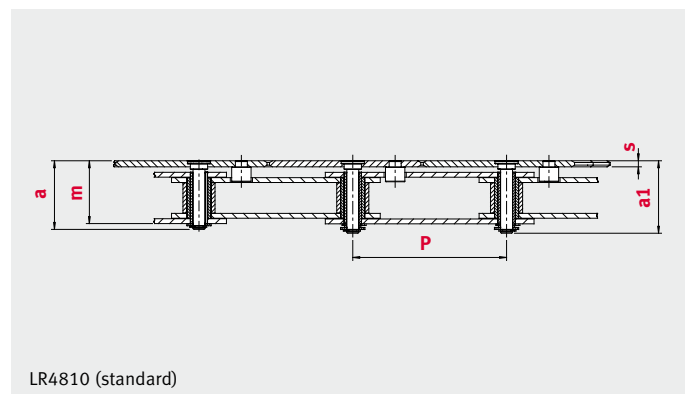
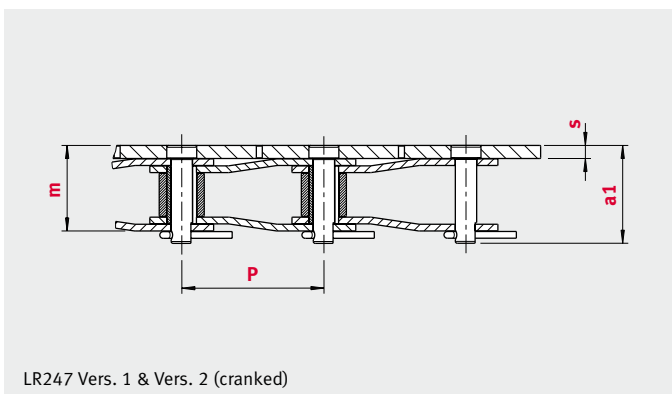
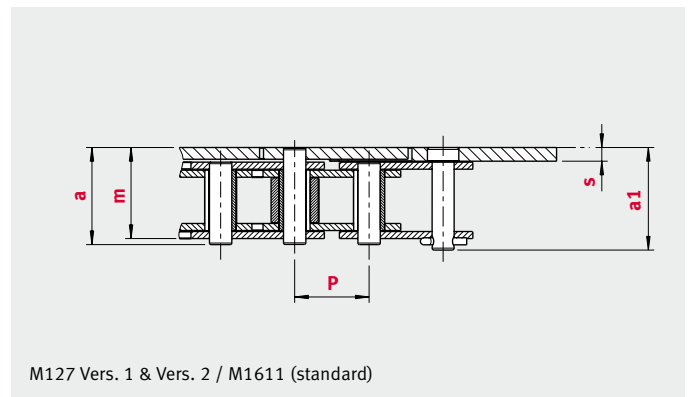
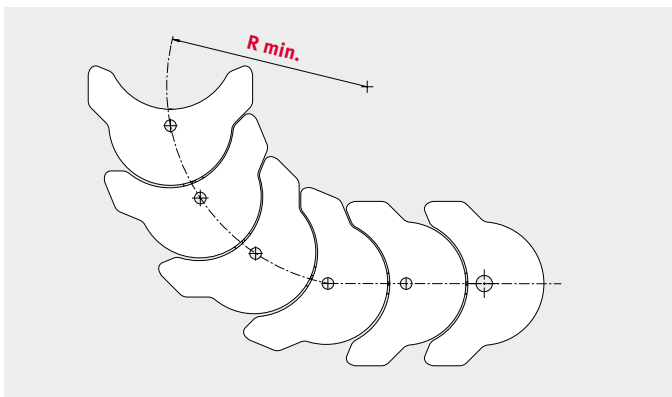
Some examples of different plate chain versions





Product range

ISO	iwis designation	P mm	s mm	A mm	B mm	R min. mm	Min. no. of teeth per sprocket	a mm	a1 mm	m mm	Basic chain
12 B-1	M127 Vers. 1	19.05	3.5	45	50	64	21	24.8	26.25	23.3	standard
12 B-1	M127 Vers. 2	19.05	3.5	59.25	80	152	50	24.8	26.25	23.3	standard
16 B-1	M1611	25.4	3.5	69.5	80	90	22	37.4	39.9	35.4	standard
212 B-1	LR247 Vers. 1	38.1	3.5	45	50	62	10	–	26.35	23.05	cranked
212 B-1	LR247 Vers. 2	38.1	3.5	59.25	80	152	25	–	26.35	23.21	cranked
–	LR4810	76.2	3	92.6	82.5	147	12	34	35.9	31.12	standard



Our subsidiaries

Germany

iwis antriebssysteme GmbH & Co. KG
Albert-Roßhaupter-Straße 53
81369 München
Tel. +49 89 76909-1500
Fax +49 89 76909-1198
sales@iwis.com

Germany

iwis antriebssysteme GmbH
Essener Straße 23
57234 Wilnsdorf
Tel. +49 2739 86-0
Fax +49 2739 86-22
sales-wilnsdorf@iwis.com

Germany

iwis agrisystems
Schützenweg 5
36205 Sontra
Tel. +49 5653 9778-0
Fax +49 5653 9778-26
agrisystems@iwis.com

Great Britain

iwis drive systems Ltd.
Unit 8c Bloomfield Park
Bloomfield Road, Tipton
West Midlands, DY4 9AP
Tel. +44 12 15213600
Fax +44 12 15200822
salesuk@iwis.com

France

iwis systèmes de transmission
10, rue du Luxembourg
69330 Meyzieu
Tel. +33 4374515-70
Fax +33 4374515-71
salesfr@iwis.com

Switzerland

iwis AG Kettentechnik
Bahnweg 4 (Postfach)
5504 Othmarsingen
Tel. +41 62 8898999
Fax +41 62 8898990
info@iwis-ketten.ch

Italy

iwis antriebssysteme Italia
Tel. +39 340 9296142
Fax +49 89 76909 491647
salesit@iwis.com

China

iwis drive systems (Suzhou) Co., Ltd.
266 Lv Liang Shan Road
215153 Suzhou, China
Tel. +86 512 8566-3010
Fax +86 512 8566-3009
salescn@iwis.com

USA

iwis drive systems, LLC
Building 100, 8266 Zionsville Road
Indianapolis, IN 46268 USA
Tel. +1 317 821-3539
Fax +1 317 821-3569
sales@iwisusa.com

Canada

iwis drive systems, Inc.
#1- 19349- 94th ave
Surrey B.C. V4E 4E6
Tel. +1 778-298-3622
Fax +1 778-298-7219
salesca@iwisusa.com

Brazil

iwis Sistemas de Transmissão
de Energia Mecânica Ltda.
Rua Bento Rosa, nº 1816
Bairro Hidráulica
95.900-000 Lajeado, RS
Tel. +55 51 3748-7402
salesbrazil@iwis.com

South Africa

iwis drive systems, (Pty) Ltd
Unit 3, 127 Koornhof Road
Meadowdale, 1613, South Africa
Tel. +27 11 392-2306
Fax +27 11 392-3295
salessa@iwis.com

Turkey

iwis antriebssysteme GmbH & Co. KG
Türkiye İstanbul İrtibat Bürosu
Tel. +90 543 554 3483
salestr@iwis.com

www.iwis.com

iwis
antriebssysteme
wir bewegen die welt

Your sales representative

