

TF系列拖链

TF Series Cable Chain

¥ 价格指数 Price index



可根据客户需求提供防火材料
Fire-proof materials are available if customized

功能特点 Features & Benefits

- 横杆可以在内侧打开
- 阻燃等级UL V2
- 配有整体式带梳状板接头
- 外形设计美观、大方
- 耐摩擦、耐腐蚀，滑行应用
- 用于较长的架空长度
- Cross bars can be opened along inwards radius
- Flammability class UL V2
- Split-type mounting bracket with tie warp plate
- Beautiful and decent appearance design
- Anti-corrosion, Rub-resistance, Gliding application
- For longer unsupported length

TF25拖链的适用场合 Application

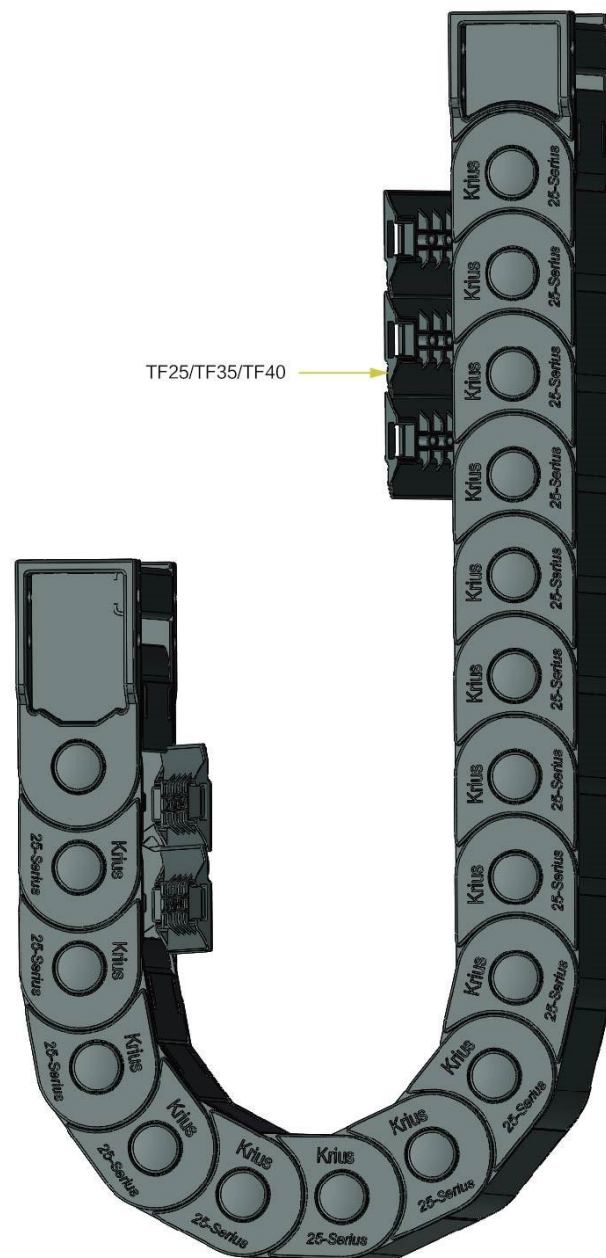
- 低负荷场合应用
- 快速安装电缆
- 短行程
- 运行速度慢
- Moderate loading
- Long travel distance
- Low travel distance
- Quick opening and assemble cables

✗ TF25拖链的不适用场合 Not applicable

- 重载场合应用
- 长距离运行
- 反向弯曲半径
- Not for heavy load
- Not for long distance running
- Not for reverse bending

订购示例—整条拖链 Order details

请注明拖链长度或者链节数 如：1米或30节
TF2538*R75*1000*2 (2条长度1米的拖链)
TF2538*B*T1*1 (1副接头, T1安装方式)



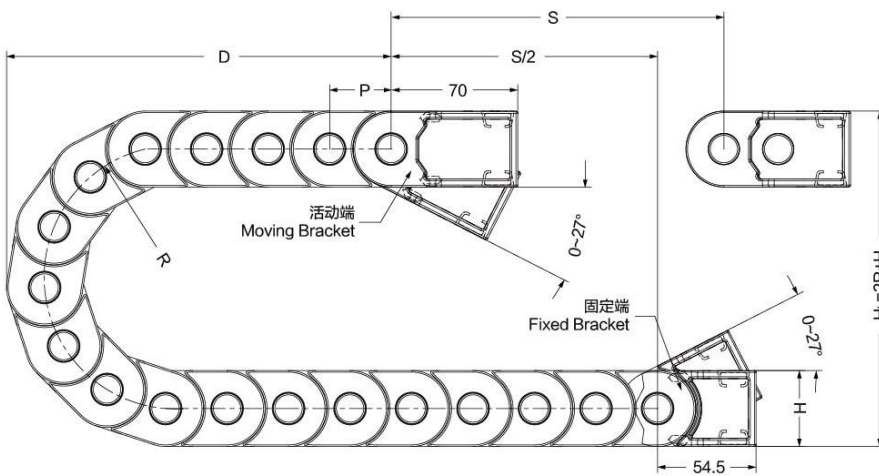
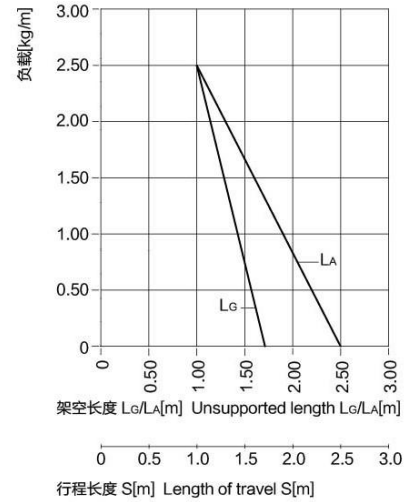
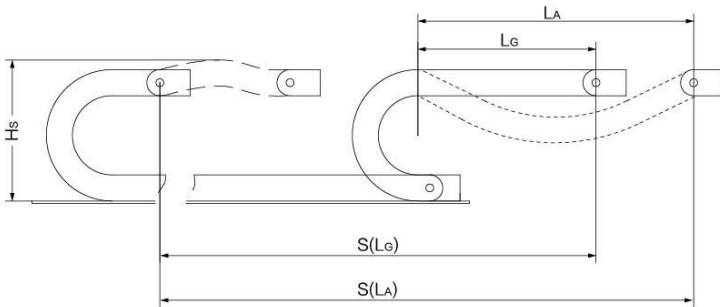
Please mark the length or link number, such as 1 meter or 30 links
TF2538*R75*1000*2 (2 pieces of 1-meter-long cable chain)
TF2538*B*T1*1 (1 piece of connector, T1 installation method)

TF25拖链-安装尺寸及技术参数

TF25 Cable Chain-Installation Dimensions and Technical Parameters

架空长度 Unsupported length

- L_G = 直线架空长度
- L_A = 安全塌腰架空长度
- L_G = Unsupported with straight upper run
- L_A = Unsupported with permitted sag



- S = 行程长度
- R = 弯曲半径
- P = 节距
- L = 拖链长度
- N = 每米链节数
- H_L = 理论安装高度
- H_s = 实际安装高度
- D = 拖链退回极限位置时的最小距离
- $K = L \cdot R + 2P$
- * K值可在科瑞斯相关表格中直接查询
- S = Length of travel
- R = Bending Radius
- P = Pitch
- L = Length of chain
- N = Links per meter
- H_L = Nominal clearance height
- H_s = Required clearance height
- D = Overlength Energy Chain radius in final position
- $K = L \cdot R + 2P$
- * You can find it from below chart for more details

R	H _L	D	K	P
75 (2.95)	192 (7.56)	160 (6.30)	305 (12.01)	34 (1.34)
100 (3.94)	242 (9.53)	210 (8.27)	380 (14.96)	34 (1.34)
125 (4.92)	292 (11.50)	260 (10.24)	460 (18.11)	34 (1.34)
150 (5.91)	342 (13.46)	310 (12.20)	540 (21.26)	34 (1.34)
175 (6.89)	392 (15.43)	360 (14.17)	620 (24.41)	34 (1.34)

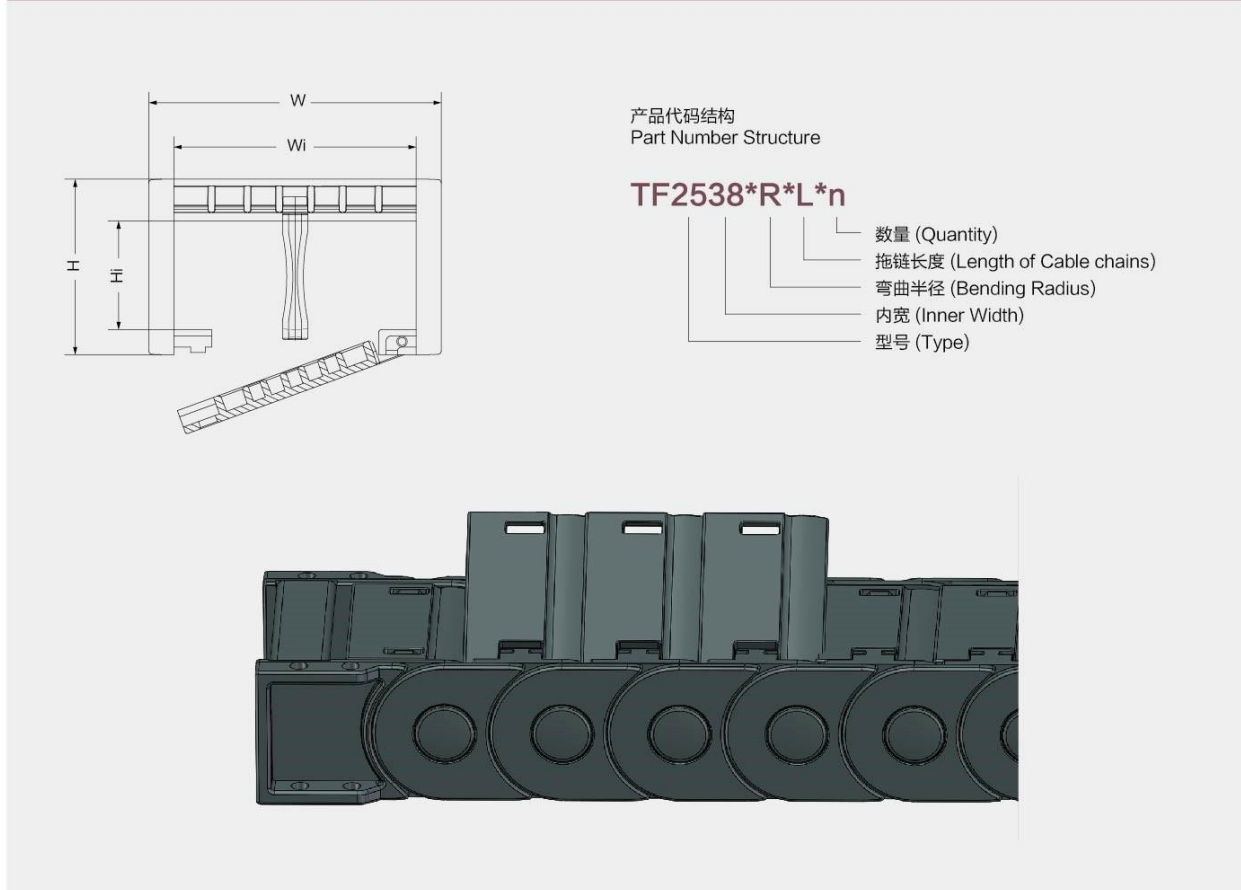
实际安装高度: $H_s = H_L + 40\text{mm}$
拖链长度: $L = S/2 + K$
每米链节数: $N = 30$ (1020mm)

The required clearance height: $H_s = H_L + 1.57\text{in.}$
Chain length: $L = S/2 + K$
Links per meter: $N = 30$ (40.16 in.)

技术参数 Technical Parameters		
速度/加速度 L_G	Speed/acceleration L_G	max.25[m/s]/max.205[m/s ²]
速度/加速度 L_A	Speed/acceleration L_A	max.5[m/s]/max.8[m/s ²]
滑行速度/加速度	Gliding speed/acceleration	max.5[m/s]/max.12[m/s ²]
材料-允许温度 °C	Material-permitted temperature	igumid G/-40°C至+125°C
阻燃等级,igumid G	Flammability Class,igumid G	VDE 0304 IIC UL94 V2

TF25 拖链-产品规格范围 TF25 Cable Chain-Product specifications

TF25拖链-内侧可开 TF25 Cable Chain-Inner can be opened



型号 Type	弯曲半径<R> Bending radius	内高<Hi> Inner height	内宽<Wi> Inner width	外高<H> Outer height	外宽<W> Outer Width	重量<G> Weight	备注 Remark
	mm (in.)	mm (in.)	mm (in.)	mm (in.)	mm (in.)	kg/m (lbs/ft)	
TF2538			39 (1.54)		51 (2.01)	0.91 (0.62)	
TF2550		26 (1.02)	51 (2.01)	42 (1.65)	63 (2.48)	1.18 (0.80)	
TF2575			76 (2.99)		88 (3.46)	1.45 (0.99)	

订货范例
Order details

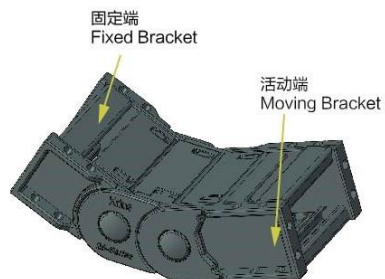
TF2538* R75 * 1000mm * 2

R	Hi	D	K	P
75 (2.95)	192 (7.56)	160 (6.30)	305 (12.01)	34 (1.34)
100 (3.94)	242 (9.53)	210 (8.27)	380 (14.96)	34 (1.34)
125 (4.92)	292 (11.50)	260 (10.24)	460 (18.11)	34 (1.34)
150 (5.91)	342 (13.46)	310 (12.20)	540 (21.26)	34 (1.34)
175 (6.89)	392 (15.43)	360 (14.17)	620 (24.41)	34 (1.34)

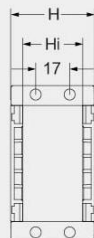
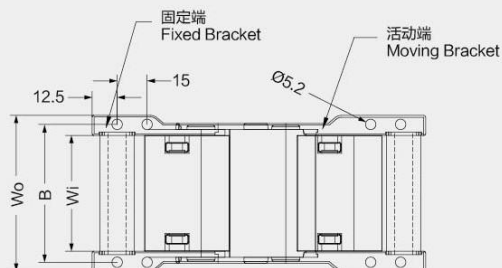
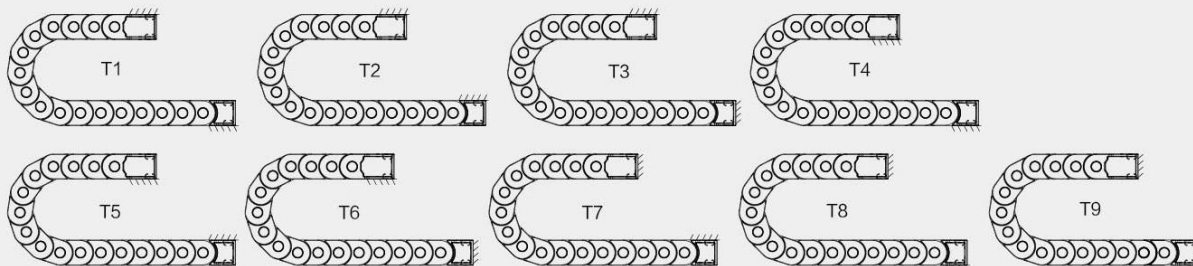
TF25 拖链-拖链接头 TF25 Cable Chain-Mounting Bracket

塑料接头, 分体式 Plastic Mounting Bracket, Splitted structure

- 分体式接头
- 耐腐蚀 & 耐摩擦
- 可提供预装配形式
- 带有去应力梳状片
- 可实现内外连接
- Split-type mounting bracket
- Anti-corrosion, Rub-resistance
- Available preassembly form
- With strain relief tie-wrap plates
- Can realize the internal and external connections



可选配的接头安装方式 Available installation methods



TF2538
TF2550
TF2557

拖链型号 Type	拖链编码 Code	主体 Main Body Code	其他编码 Other Code	Wo尺寸 Dimension Wo	B尺寸 Dimension B
				mm (in.)	mm (in.)
TF2538	12299	12303/12306	接头 Mounting Bracket 12302	59 (2.32)	50 (1.97)
TF2550	12300	12304/12307	隔离片 Separator 12298	71 (2.80)	62 (2.44)
TF2575	12301	12305/12308	锁扣 Fixed Plated 12309	96 (3.78)	87 (3.43)

产品代码结构 Part Number Structure

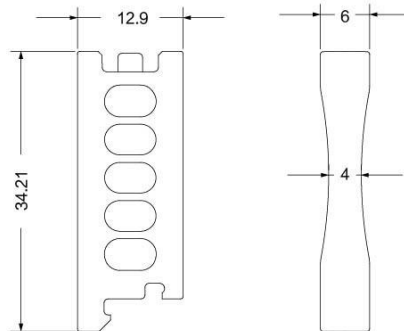
TF2538*B*T1



- TF2538*B*T1*n 两端接头
On both brackets
- TF2538*f*T1*n 固定端接头
Fixed bracket
- TF2538*m*T1*n 移动端接头
Moving bracket

★ 每款拖链的接头都有所不同, 订购时如有任何疑问, 请及时咨询科瑞斯。
Every bracket is different, please contact us if you have any question.

TF25 拖链-隔离片 TF25 Cable Chain-Separator



TF25拖链隔离片编码: 12298
The separator No. for TF25: 12298

- 本款拖链标配隔离片为竖隔片，可以实现垂直分隔，也可订制铝杆作为横隔片，实现水平分隔
- 竖隔片的数量可以根据客户的实际需求进行配备，可以每隔一个链节装一个，也可以每隔一个链节装几个，客户可任意配备
- 竖隔片安装完成后，不能滑动
- The standard separator is vertical direction which can make the vertical division, and also we can customize horizontal Al separator for horizontal division
- Vertical separators can be placed into each link or different quantity links, it can be customized
- Separator can't be moved after assembling