

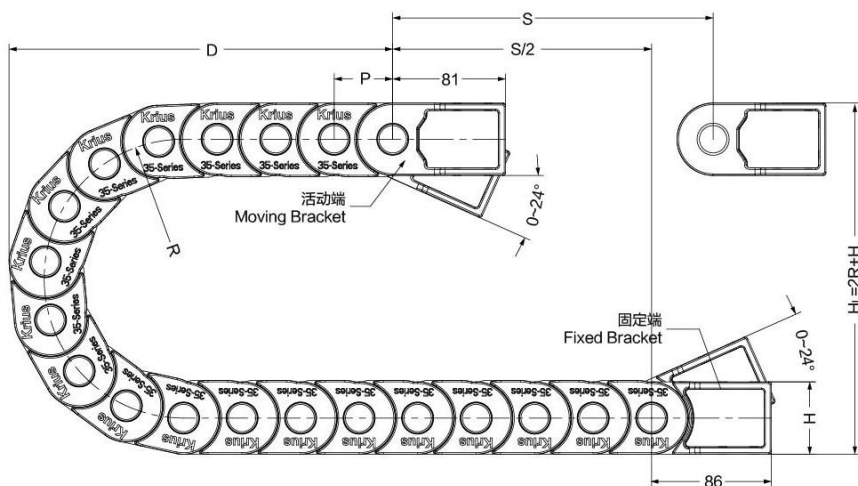
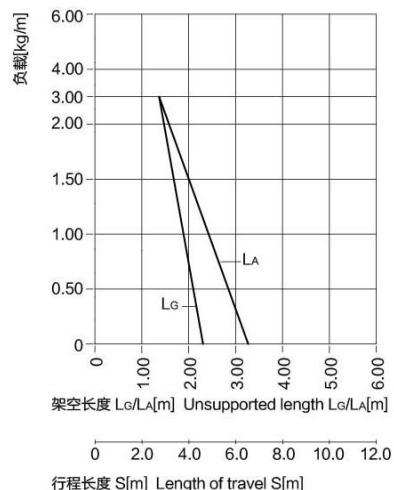
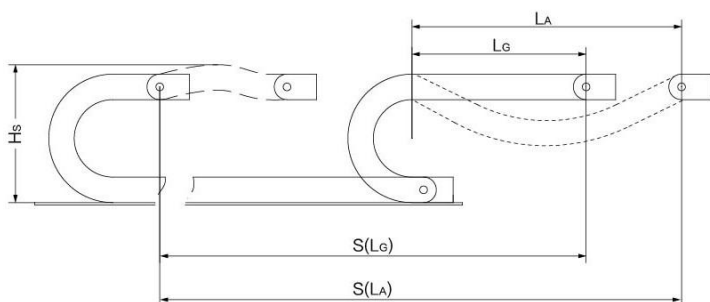
### TF35拖链-安装尺寸及技术参数

### TF35 Cable Chain-Installation Dimensions and Technical Parameters

#### 架空长度

#### Unsupported length

- $L_G$  = 直线架空长度
- $L_A$  = 安全塌腰架空长度
- $L_G$  = Unsupported with straight upper run
- $L_A$  = Unsupported with permitted sag



- S = 行程长度
- R = 弯曲半径
- P = 节距
- L = 拖链长度
- N = 每米链节数
- $H_L$  = 理论安装高度
- $H_s$  = 实际安装高度
- D = 拖链退回极限位置时的最小距离
- $K = \pi \cdot R + 2P$
- \* K值可在科瑞斯相关表格中直接查询
- S = Length of travel
- R = Bending Radius
- P = Pitch
- L = Length of chain
- N = Links per meter
- $H_L$  = Nominal clearance height
- $H_s$  = Required clearance height
- D = Overlength Energy Chain radius in final position
- $K = \pi \cdot R + 2P$
- \* You can find it from below chart for more details

R	$H_L$	D	K	P
100 (3.94)	252 (9.92)	210 (8.27)	400 (15.75)	42 (1.65)
125 (4.92)	302 (11.89)	260 (10.24)	475 (18.70)	42 (1.65)
150 (5.91)	352 (13.86)	310 (12.20)	555 (21.85)	42 (1.65)
175 (6.89)	402 (15.83)	360 (14.17)	635 (25.00)	42 (1.65)
200 (7.87)	452 (17.80)	410 (16.14)	710 (27.95)	42 (1.65)
250 (9.84)	552 (21.73)	510 (20.08)	870 (34.25)	42 (1.65)

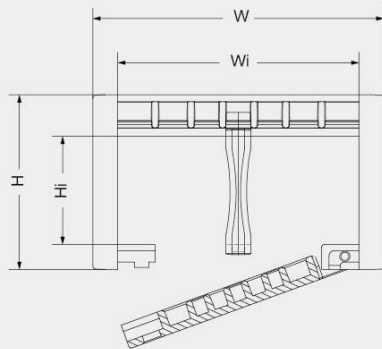
实际安装高度:  $H_s = H_L + 50\text{mm}$   
 拖链长度:  $L = S/2 + K$   
 每米链节数:  $N = 24$  (1008mm)

The required clearance height:  $H_s = H_L + 1.97\text{in.}$   
 Chain length:  $L = S/2 + K$   
 Links per meter:  $N = 24$  (39.69 in.)

技术参数 Technical Parameters		
速度/加速度 $L_G$	Speed/acceleration $L_G$	max.25[m/s]/max.205[m/s <sup>2</sup> ]
速度/加速度 $L_A$	Speed/acceleration $L_A$	max.5[m/s]/max.8[m/s <sup>2</sup> ]
滑行速度/加速度	Gliding speed/acceleration	max.5[m/s]/max.12[m/s <sup>2</sup> ]
材料-允许温度 °C	Material-permitted temperature	igumid G/-40°C至+125°C
阻燃等级, igumid G	Flammability Class, igumid G	VDE 0304 IIC UL94 V2

TF35 拖链-产品规格范围  
TF35 Cable Chain-Product specifications

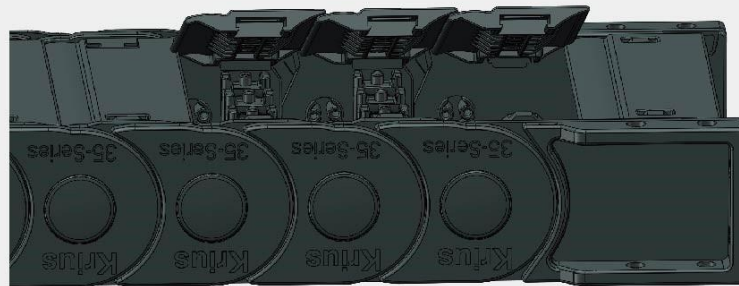
TF35拖链-内侧可开 TF35 Cable Chain-Inner can be opened



产品代码结构  
Part Number Structure

TF3550\*R\*L\*n

- 数量 (Quantity)
- 拖链长度 (Length of Cable chains)
- 弯曲半径 (Bending Radius)
- 内宽 (Inner Width)
- 型号 (Type)



型号 Type	弯曲半径<R> Bending radius	内高<Hi> Inner height	内宽<Wi> Inner width	外高<H> Outer height	外宽<W> Outer Width	重量<G> Weight	备注 Remark
	mm (in.)	mm (in.)	mm (in.)	mm (in.)	mm (in.)	kg/m (lbs/ft)	
TF3550		35 (1.38)	51 (2.01)	52 (2.05)	67 (2.64)	1.57 (1.08)	
TF3575			76 (2.99)		92 (3.62)	1.90 (1.29)	
TF35100			101 (3.98)		117 (4.61)	2.20 (1.50)	

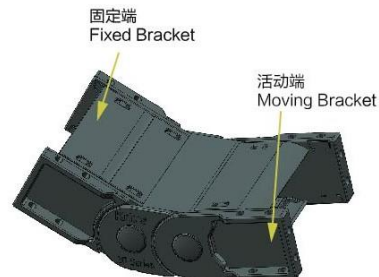
订货范例  
Order details **TF3550 \* R100 \* 1000mm \* 2**

R	Hi	D	K	P
100 (3.94)	252 (9.92)	210 (8.27)	400 (15.75)	42 (1.65)
125 (4.92)	302 (11.89)	260 (10.24)	475 (18.70)	42 (1.65)
150 (5.91)	352 (13.86)	310 (12.20)	555 (21.85)	42 (1.65)
175 (6.89)	402 (15.83)	360 (14.17)	635 (25.00)	42 (1.65)
200 (7.87)	452 (17.80)	410 (16.14)	710 (27.95)	42 (1.65)
250 (9.84)	552 (21.73)	510 (20.08)	870 (34.25)	42 (1.65)

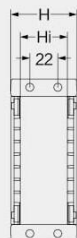
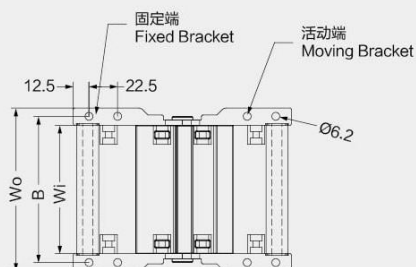
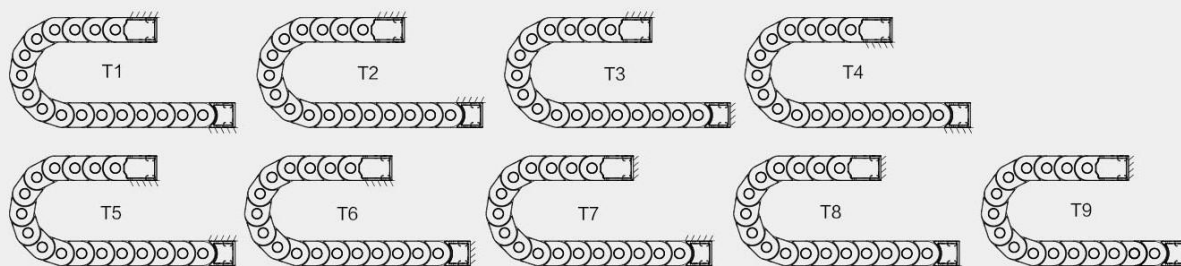
## TF35 拖链-拖链接头 TF35 Cable Chain-Mounting Bracket

塑料接头, 分体式 Plastic Mounting Bracket, Splitted structure

- 分体式接头
- 耐腐蚀 & 耐摩擦
- 可提供预装配形式
- 带有去应力梳状片
- 可实现内外连接
- Split-type Mounting Bracket
- Anti-corrosion, Rub-resistance
- Available preassembly form
- With strain relief tie-wrap plates
- Can realize the internal and external connections



可选配的接头安装方式 Available installation methods



TF3550  
TF3575  
TF35100

拖链型号 Type	拖链编码 Code	主体 Main Body Code	其他编码 Other Code	Wo尺寸 Dimension Wo	B尺寸 Dimension B
TF3550	12288	12303/12306	接头 Mounting Bracket 12302	mm (in.) 78 (3.07)	mm (in.) 65 (2.56)
TF3575	12289	12304/12307	隔离片 Separator 12298	103 (4.06)	90 (3.54)
TF35100	12290	12305/12308	锁扣 Fixed Plated 12309	128 (5.04)	115 (4.53)

产品代码结构 Part Number Structure

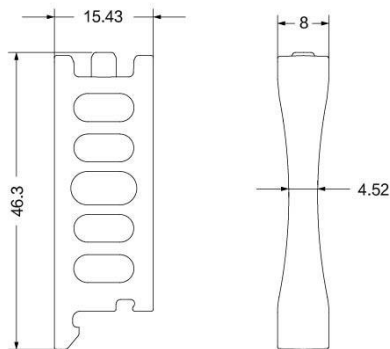
### TF3550\*B\*T1



- TF3550\*B\*T1\*n 两端接头  
On both brackets
- TF3550\*f\*T1\*n 固定端接头  
Fixed bracket
- TF3550 \*m\*T1\*n 移动端接头  
Moving bracket

★ 每款拖链的接头都有所不同, 订购时如有任何疑问, 请及时咨询科瑞斯。  
Every bracket is different, please contact us if you have any question.

## TF35 拖链-隔离片 TF35 Cable Chain-Separator



TF35拖链隔离片编码: 12298  
The separator No. for TF35: 12298

- 本款拖链标配隔离片为竖隔片，可以实现垂直分隔，也可订制铝杆作为横隔片，实现水平分隔
- 竖隔片的数量可以根据客户的实际需求进行配备，可以每隔一个链节装一个，也可以每隔一个链节装几个，客户可任意配备
- 竖隔片安装完成后，不能滑动

- The standard separator is vertical direction which can make the vertical division, and also we can customize horizontal Al separator for horizontal division
- Vertical separators can be placed into each link or different quantity links, it can be customized
- Separator can't be moved after assembling