

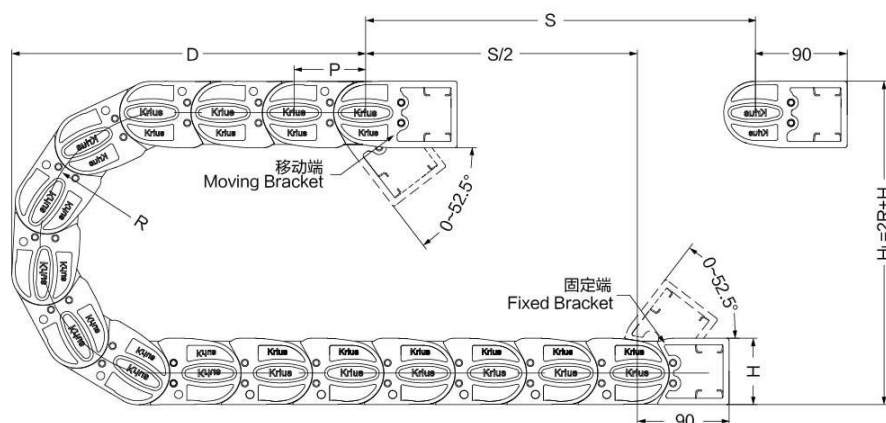
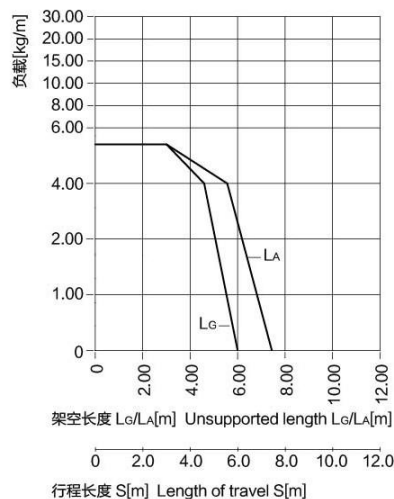
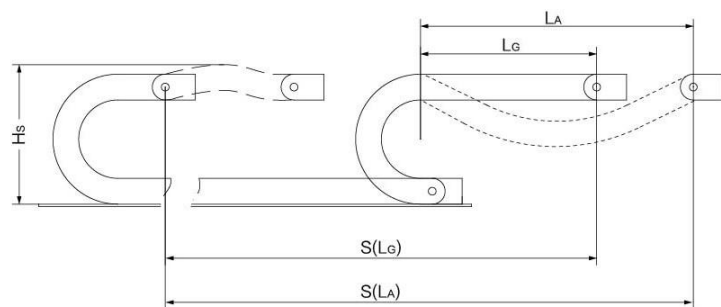
HQ38 拖链—安装尺寸及技术参数

HQ38 Cable Chain—Installation Dimensions and Technical Parameters

架空长度

Unsupported length

- L_G = 直线架空长度
- L_A = 安全塌腰架空长度
- L_G = Unsupported with straight upper run
- L_A = Unsupported with permitted sag



- S = 行程长度
- R = 弯曲半径
- P = 节距
- L = 拖链长度
- N = 每米链节数
- H_L = 理论安装高度
- H_s = 实际安装高度
- D = 拖链退回极限位置时的最小距离
- $K = \pi \cdot R + 2P$
- * K值可在科瑞斯相关表格中直接查询
- S = Length of travel
- R = Bending Radius
- P = Pitch
- L = Length of chain
- N = Links per meter
- H_L = Nominal clearance height
- H_s = Required clearance height
- D = Overlength Energy Chain radius in final position
- $K = \pi \cdot R + 2P$
- * You can find it from below chart for more details

R	H_L	D	K	P
75 (2.95)	215 (8.46)	160 (6.30)	375 (14.76)	70 (2.76)
100 (3.94)	265 (10.43)	210 (8.27)	455 (17.91)	70 (2.76)
125 (4.92)	315 (12.40)	260 (10.24)	530 (20.87)	70 (2.76)
150 (5.91)	365 (14.37)	310 (12.20)	610 (24.02)	70 (2.76)
200 (7.87)	465 (18.31)	410 (16.14)	770 (30.31)	70 (2.76)

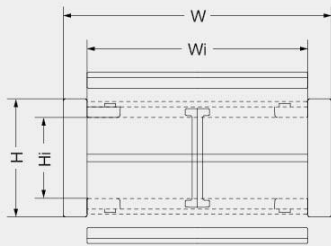
实际安装高度: $H_s = H_L + 60\text{mm}$
拖链长度: $L = S/2 + K$
每米链节数: $N = 14$ (980mm)

The required clearance height: $H_s = H_L + 2.36\text{in.}$
Chain length: $L = S/2 + K$
Links per meter: $N = 14$ (38.58 in.)

技术参数 Technical Parameters		
速度/加速度 L_G	Speed/acceleration L_G	max.25[m/s]/max.205[m/s ²]
速度/加速度 L_A	Speed/acceleration L_A	max.5[m/s]/max.8[m/s ²]
滑行速度/加速度	Gliding speed/acceleration	max.5[m/s]/max.12[m/s ²]
材料—允许温度 °C	Material—permitted temperature	igumid G/−40°C至+125°C
阻燃等级, igumid G	Flammability Class, igumid G	VDE 0304 IIC UL94 V2

HQ38 拖链-产品规格范围 HQ38 Cable Chain-Product specifications

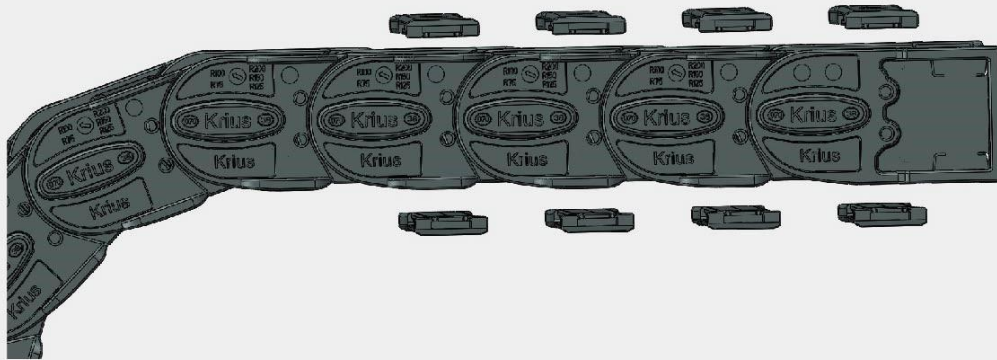
HQ38拖链-内外侧可开 HQ38 Cable Chain-Inner and outer can be opened



产品代码结构
Part Number Structure

HQ3875*R*L*n

- 数量 (Quantity)
- 拖链长度 (Length of Cable chains)
- 弯曲半径 (Bending Radius)
- 内宽 (Inner Width)
- 型号 (Type)



型号 Type	弯曲半径<R> Bending radius	内高<Hi> Inner height	内宽<Wi> Inner width	外高<H> Outer height	外宽<W> Outer Width	重量<G> Weight	备注 Remark
	mm (in.)	mm (in.)	mm (in.)	mm (in.)	mm (in.)	kg/m (lbs/ft)	
HQ3875		39.5 (1.56)	76 (2.99)	65 (2.56)	108 (4.26)	2.57 (1.75)	
HQ38100			101 (3.98)		133 (5.24)	2.72 (1.85)	
HQ38125			126 (4.96)		158 (6.22)	2.88 (1.96)	
HQ38150			151 (5.94)		183 (7.20)	3.05 (2.07)	
HQ38200			201 (7.91)		233 (9.17)	3.35 (2.28)	
HQ38250			251 (9.88)		283 (11.14)	3.66 (2.49)	
HQ38300			301 (11.85)		333 (13.11)	3.96 (2.69)	
HQ38350			351 (13.82)		383 (15.08)	4.29 (2.92)	
HQ38400			401 (15.79)		433 (17.05)	4.59 (3.12)	

订货范例
Order details

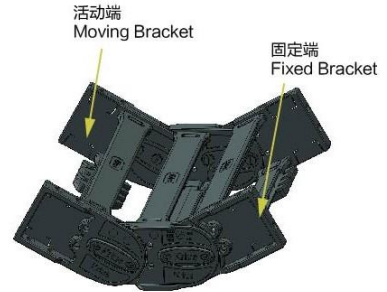
HQ3875 * R75 * 1000mm * 2

R	Hi	D	K	P
75 (2.95)	215 (8.46)	160 (6.30)	375 (14.76)	70 (2.76)
100 (3.94)	265 (10.43)	210 (8.27)	455 (17.91)	70 (2.76)
125 (4.92)	315 (12.40)	260 (10.24)	530 (20.87)	70 (2.76)
150 (5.91)	365 (14.37)	310 (12.20)	610 (24.02)	70 (2.76)
200 (7.87)	465 (18.31)	410 (16.14)	770 (30.31)	70 (2.76)

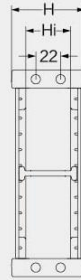
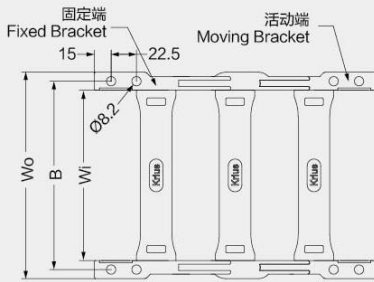
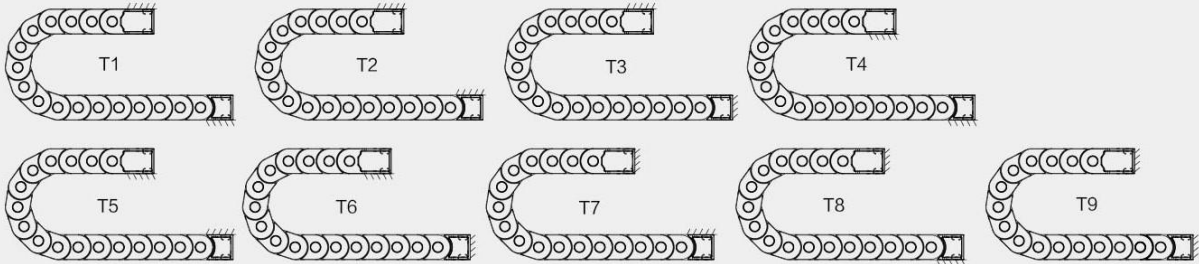
HQ38 拖链-拖链接头 HQ38 Cable Chain-Mounting Bracket

塑料接头或钢制接头，分体式 Plastic or Steel Mounting Bracket, Splitted structure

- 双侧独立式塑料接头或钢制接头
- 两端接头均可活动
- 耐腐蚀 & 耐摩擦
- 可提供预装配形式
- 可实现内外连接
- Independent Plastic or Steel mounting bracket on the two end
- Moved connectors on both sides
- Anti-corrosion, Rub-resistance
- Available preassembly form
- Can realize the internal and external connections



可选配的接头安装方式 Available installation methods



HQ3875/HQ38100
HQ38125/HQ38150
HQ38200/HQ38250
HQ38300/HQ38350
HQ38400

拖链型号 Type	拖链编码 Code	其他编码 Other Code	W ₀ 尺寸 Dimension W ₀	B尺寸 Dimension B
			mm (in.)	mm (in.)
HQ3875	11226		108 (4.26)	92 (3.62)
HQ38100	11227		133 (5.24)	117 (4.61)
HQ38125	14082	接头 Mounting Bracket	158 (6.22)	142 (5.59)
HQ38150	11228	主体 Main Body Code	183 (7.20)	167 (6.57)
HQ38200	11229	隔离片 Separator	233 (9.17)	217 (8.54)
HQ38250	11230		283 (11.14)	267 (10.51)
HQ38300	11231	固定片 Fixed Plate	333 (13.11)	317 (12.48)
HQ38350	11232		383 (15.08)	367 (14.45)
HQ38400	11233		433 (17.05)	417 (16.42)

产品代码结构 Part Number Structure

HQ3875*B*T1

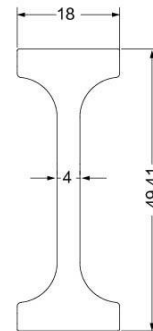
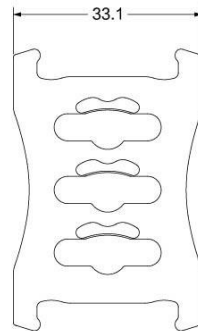


- HQ3875*B*T1*n 两端接头
On both brackets
- HQ3875*f*T1*n 固定端接头
Fixed bracket
- HQ3875*m*T1*n 移动端接头
Moving bracket

★ 每款拖链的接头都有所不同，订购时如有任何疑问，请及时咨询科瑞斯。
Every bracket is different, please contact us if you have any question.



HQ38 拖链-隔离片 HQ38 Cable Chain-Separator



HQ38拖链隔离片编码: 11225
The separator No. for HQ38: 11225

- 本款拖链标配隔离片为竖隔片，可以实现垂直分隔，也可订制铝杆作为横隔片，实现水平分隔
- 竖隔片的数量可以根据客户的实际需求进行配备，可以每隔一个链节装一个，也可以每隔一个链节装几个，客户可任意配备
- 竖隔片安装完成后，可以根据线缆排布进行滑动
- The standard separator is vertical direction which can make the vertical division, and also we can customize horizontal Al separator for horizontal division
- Vertical separators can be placed into each link or different quantity links, it can be customized
- Separator can be moved for different cable