

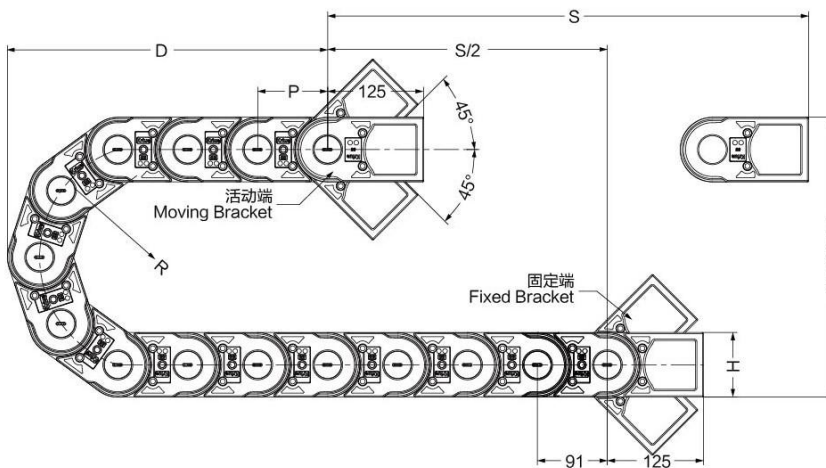
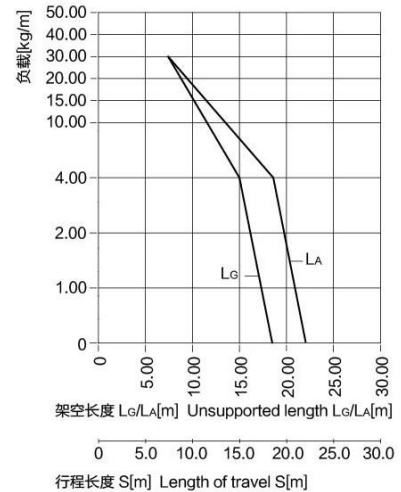
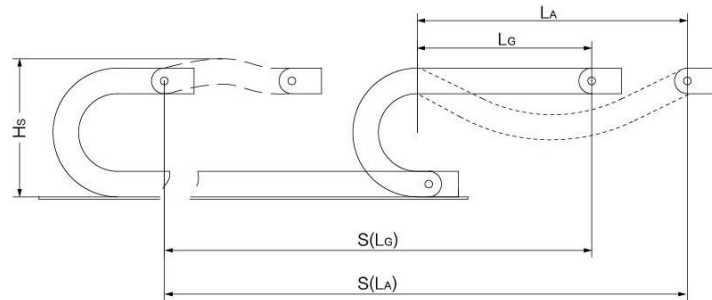
ZLQ55 拖链-安装尺寸及技术参数

ZLQ55 Cable Chain-Installation Dimensions and Technical Parameters

架空长度

Unsupported length

- L_G = 直线架空长度
- L_A = 安全塌架架空长度
- L_G = Unsupported with straight upper run
- L_A = Unsupported with permitted sag



- S = 行程长度
- R = 弯曲半径
- P = 节距
- L = 拖链长度
- N = 每米链节数
- H_L = 理论安装高度
- H_s = 实际安装高度
- D = 拖链退回极限位置时的最小距离
- $K = \pi \cdot R + 2P$
- * K值可在科瑞斯相关表格中直接查询
- S = Length of travel
- R = Bending Radius
- P = Pitch
- L = Length of chain
- N = Links per meter
- H_L = Nominal clearance height
- H_s = Required clearance height
- D = Overlength Energy Chain radius in final position
- $K = \pi \cdot R + 2P$
- * You can find it from below chart for more details

R	H_L	D	K	P
130(5.12)	344(13.54)	270(10.63)	590(23.23)	91(3.58)
150(5.91)	384(15.12)	310(12.20)	655(25.79)	91(3.58)
175(6.89)	434(17.09)	360(14.17)	730(28.74)	91(3.58)
200(7.87)	484(19.06)	410(16.14)	810(31.89)	91(3.58)
225(8.86)	534(21.02)	460(18.11)	890(35.04)	91(3.58)
250(9.84)	584(22.99)	510(20.08)	970(38.19)	91(3.58)
300(11.81)	684(26.93)	610(24.02)	1125(44.29)	91(3.58)
350(13.78)	784(30.87)	710(27.95)	1280(50.39)	91(3.58)
400(15.75)	884(34.80)	810(31.89)	1440(56.69)	91(3.58)

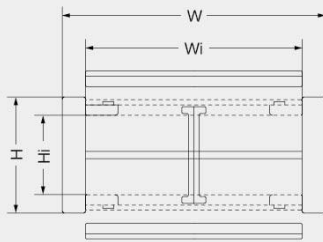
实际安装高度: $H_s = H_L + 85\text{mm}$
 拖链长度: $L = S/2 + K$
 每米链节数: $N = 11$ (1001mm)

The required clearance height: $H_s = H_L + 3.35\text{in.}$
 Chain length: $L = S/2 + K$
 Links per meter: $N = 11$ (39.41 in.)

技术参数 Technical Parameters		
速度/加速度 L_G	Speed/acceleration L_G	max.25[m/s]/max.205[m/s ²]
速度/加速度 L_A	Speed/acceleration L_A	max.5[m/s]/max.8[m/s ²]
滑行速度/加速度	Gliding speed/acceleration	max.5[m/s]/max.12[m/s ²]
材料-允许温度℃	Material-permitted temperature	igumid G/-40℃至+125℃
阻燃等级,igumid G	Flammability Class,igumid G	VDE 0304 IIC UL94 V2

ZLQ55 拖链-产品规格范围 ZLQ55 Cable Chain-Product specifications

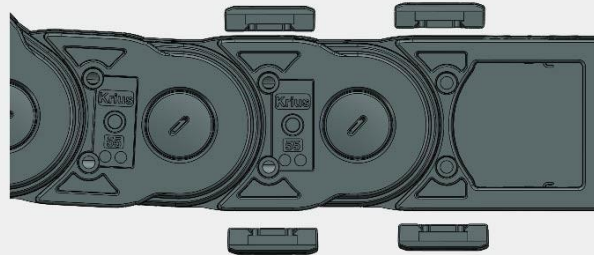
ZLQ55拖链-内外侧可开 ZLQ55 Cable Chain-Inner and outer can be opened



产品代码结构
Part Number Structure

ZLQ55100*R*L*n

数量 (Quantity)
拖链长度 (Length of Cable chains)
弯曲半径 (Bending Radius)
内宽 (Inner Width)
型号 (Type)



型号 Type	弯曲半径<R> Bending radius	内高<Hi> Inner height	内宽<Wi> Inner width	外高<H> Outer height	外宽<W> Outer Width	重量<G> Weight	备注 Remark
	mm(in.)	mm(in.)	mm(in.)	mm(in.)	mm(in.)	kg/m(lbs/ft)	
ZLQ5575			75(2.95)		123(4.84)	3.67(2.50)	
ZLQ55100			100(3.94)		148(5.83)	3.87(2.63)	
ZLQ55125			125(4.92)		173(6.81)	4.04(2.75)	
ZLQ55150			150(5.91)		198(7.80)	4.24(2.88)	
ZLQ55175			175(6.89)		223(8.78)	4.44(3.02)	
ZLQ55200			200(7.87)		248(9.76)	4.64(3.16)	
ZLQ55250			250(9.84)		298(11.73)	5.00(3.40)	
ZLQ55300		55(2.17)	300(11.81)	84(3.31)	348(13.70)	5.35(3.64)	
ZLQ55350			350(13.78)		398(15.67)	5.72(3.89)	
ZLQ55400			400(15.75)		448(17.64)	6.12(4.16)	
ZLQ55450			450(17.72)		498(19.61)	6.52(4.43)	
ZLQ55500			500(19.69)		548(21.57)	6.93(4.71)	
ZLQ55550			550(21.65)		598(23.54)	7.35(5.00)	
ZLQ55600			600(23.62)		648(25.51)	9.79(6.66)	

订货范例
Order details

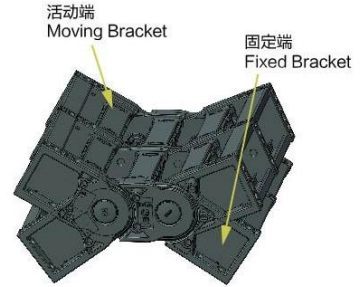
ZLQ5575 * R150 * 1000mm * 2

R	Hi	D	K	P
130(5.12)	344(13.54)	270(10.63)	590(23.23)	91(3.58)
150(5.91)	384(15.12)	310(12.20)	655(25.79)	91(3.58)
175(6.89)	434(17.09)	360(14.17)	730(28.74)	91(3.58)
200(7.87)	484(19.06)	410(16.14)	810(31.89)	91(3.58)
225(8.86)	534(21.02)	460(18.11)	890(35.04)	91(3.58)
250(9.84)	584(22.99)	510(20.08)	970(38.19)	91(3.58)
300(11.81)	684(26.93)	610(24.02)	1125(44.29)	91(3.58)
350(13.78)	784(30.87)	710(27.95)	1280(50.39)	91(3.58)
400(15.75)	884(34.80)	810(31.89)	1440(56.69)	91(3.58)

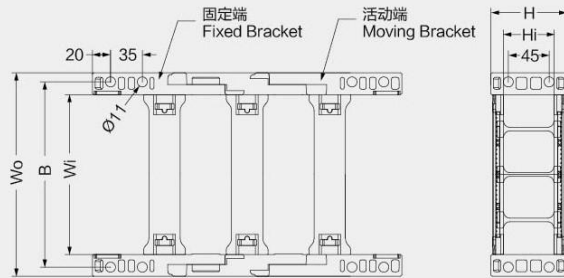
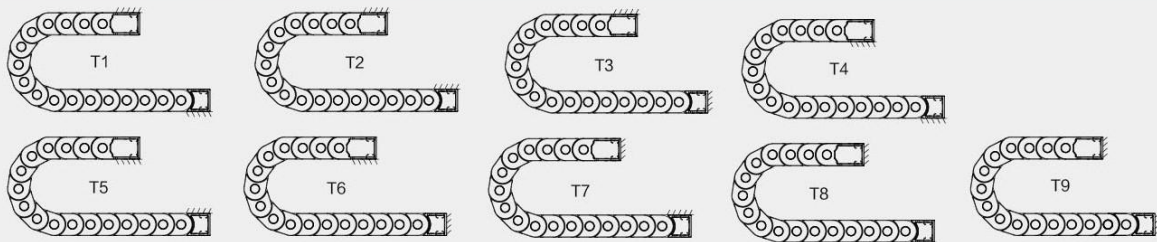
ZLQ55 拖链-拖链接头 ZLQ55 Cable Chain-Mounting Bracket

塑料接头, 分体式 Plastic Mounting Bracket, Splitted structure

- 双侧独立式塑料接头
 - 两端接头均可活动
 - 耐腐蚀 & 耐摩擦
 - 可提供预装配形式
 - 可实现内外连接
- Independent Plastic mounting bracket on the two end
 - Moved connectors on both sides
 - Anti-corrosion, Rub-resistance
 - Available preassembly form
 - Can realize the internal and external connections



可选配的接头安装方式 Available installation methods

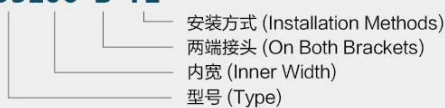


ZLQ5575 / ZLQ55100 / ZLQ55125 / ZLQ55150 / ZLQ55175
ZLQ55200 / ZLQ55250 / ZLQ55300 / ZLQ55350 / ZLQ55400
ZLQ55500 / ZLQ55550 / ZLQ55600

拖链型号 Type	拖链编码 Code	其他编码 Other Code	W0尺寸 Dimension W0	B尺寸 Dimension B
			mm (in.)	mm (in.)
ZLQ5575	13074		123 (4.84)	103 (4.06)
ZLQ55100	13075	接头 Mounting Bracket	148 (5.83)	128 (5.04)
ZLQ55125	13076	主体 Separator	173 (6.81)	153 (6.02)
ZLQ55150	13077		198 (7.80)	178 (7.01)
ZLQ55175	13078	竖隔离片 Vertical separator	223 (8.78)	203 (7.99)
ZLQ55200	13079		248 (9.76)	228 (8.98)
ZLQ55250	13080	横隔离片 Horizontal separator	298 (11.73)	278 (10.94)
ZLQ55300	13093		348 (13.70)	328 (12.91)
ZLQ55350	13085	横隔插片 Transverse septum	398 (15.67)	378 (14.88)
ZLQ55400	13102	L400隔离杆 Separator of Length with 400mm	448 (17.64)	428 (16.85)
ZLQ55450	13103		498 (19.61)	478 (18.81)
ZLQ55500	13103		548 (21.57)	528 (20.79)
ZLQ55550	13104	锁扣 Fixed Plate	598 (23.54)	578 (22.76)
ZLQ55600	13104		648 (25.51)	628 (24.72)

产品代码结构 Part Number Structure

ZLQ55100*B*T1



- ZLQ55100*B*T1*n 两端接头
On both brackets
- ZLQ55100*f*T1*n 固定端接头
Fixed bracket
- ZLQ55100*m*T1*n 移动端接头
Moving bracket

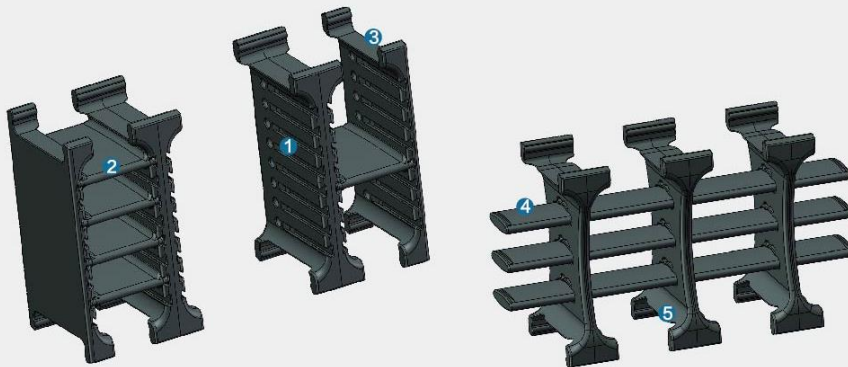
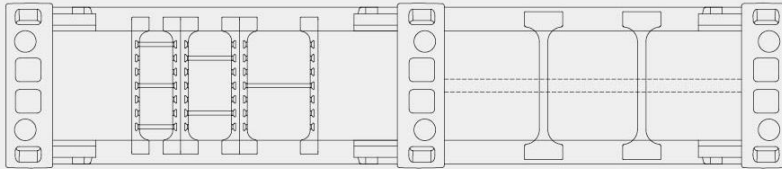
★ 每款拖链的接头都有所不同, 订购时如有任何疑问, 请及时咨询科瑞斯。
Every bracket is different, please contact us if you have any question.



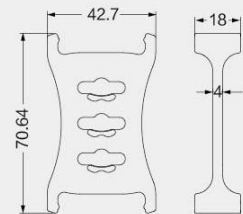
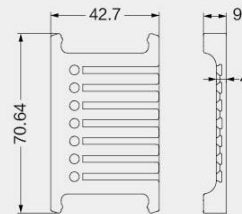
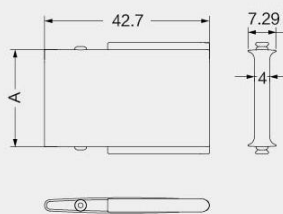
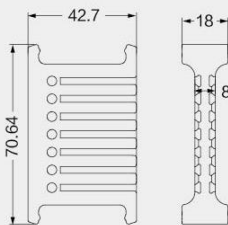
ZLQ55 Cable Chain
ZLQ55 拖链

ZLQ55 拖链-隔离片 ZLQ55 Cable Chain-Separator

- 本款拖链配备的隔离元件为横隔离（插）片和竖隔离（插）片，可以实现垂直分割和水平分隔
- 隔离元件的数量可以根据客户的实际需求进行配备
- 竖隔（插）片可以根据线缆排布进行滑动
- The isolation element is equipped with horizontal chain (plug) and vertical isolation (plug), you can achieve vertical segmentation and horizontal partitioning
- The number of isolated components can be equipped according to the actual needs of customers
- Vertical separator can be moved for different cables



单位: mm



ZLQ55和ZHQ55共用
The separator No. for ZLQ55 and ZHQ55 are same parts:

① 竖隔离片 (Vertical Separator)	13089
② 横隔插片 (Transverse Septum)	13087
③ 竖隔离片 (Vertical Separator)	13089
④ 横隔插片 (Horizontal Separator)	13086
⑤ 竖隔离片 (Vertical Separator)	13089

注: ①②③之间的距离可以为25mm、30mm、40mm、50mm、60mm、70mm
Note: (1) (2) (3) the distance between the 25mm, 30mm, 40mm, 50mm, 60mm, 70mm