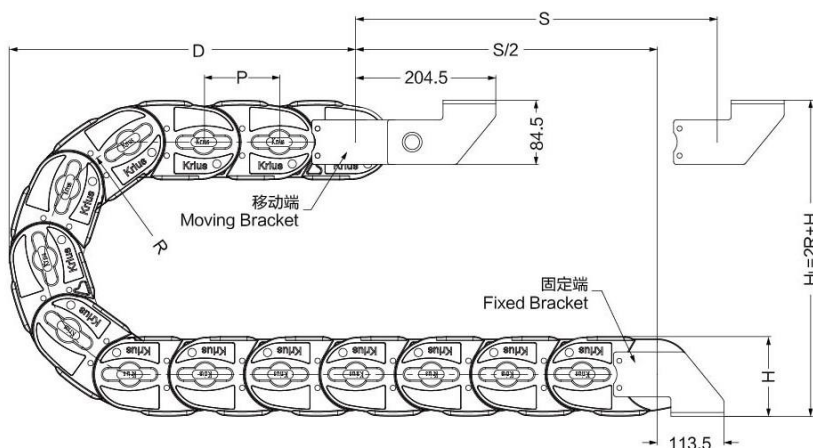
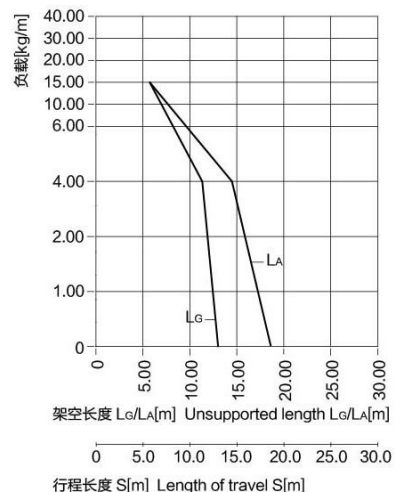
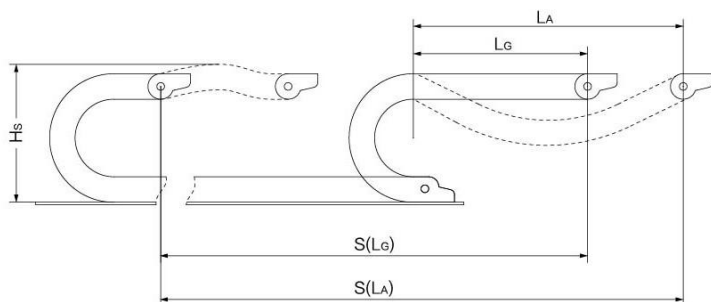


CL66 拖链-安装尺寸及技术参数

CL66 Cable Chain-Installation Dimensions and Technical Parameters

架空长度 Unsupported length

- L_G = 直线架空长度
- L_A = 安全塌腰架空长度
- L_G = Unsupported with straight upper run
- L_A = Unsupported with permitted sag



- S = 行程长度
- R = 弯曲半径
- P = 节距
- L = 拖链长度
- N = 每米链节数
- H_L = 理论安装高度
- H_s = 实际安装高度
- D = 拖链退回极限位置时的最小距离
- K = $\pi \cdot R + 2P$
- * K值可在科瑞斯相关表格中直接查询
- S = Length of travel
- R = Bending Radius
- P = Pitch
- L = Length of chain
- N = Links per meter
- H_L = Nominal clearance height
- H_s = Required clearance height
- D = Overlength Energy Chain radius in final position
- K = $\pi \cdot R + 2P$
- * You can find it from below chart for more details

R	H _L	D	K	P
150 (5.91)	406 (15.98)	310 (12.20)	670 (26.38)	99 (3.90)
200 (7.87)	506 (19.92)	410 (16.14)	825 (32.48)	99 (3.90)
250 (9.84)	606 (23.86)	510 (20.08)	985 (38.78)	99 (3.90)
300 (11.81)	706 (27.80)	610 (24.02)	1140 (44.88)	99 (3.90)
350 (13.78)	806 (31.73)	710 (27.95)	1300 (51.18)	99 (3.90)
400 (15.75)	906 (35.67)	810 (31.89)	1455 (57.28)	99 (3.90)
500 (19.69)	1106 (43.54)	1010 (39.76)	1770 (69.69)	99 (3.90)

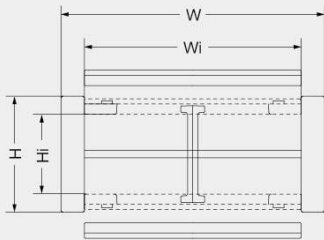
实际安装高度: $H_s = H_L + 100\text{mm}$
拖链长度: $L = S/2 + K$
每米链节数: $N = 10$ (990mm)

The required clearance height: $H_s = H_L + 3.94\text{in.}$
Chain length: $L = S/2 + K$
Links per meter: $N = 10$ (38.98 in.)

技术参数 Technical Parameters		
速度/加速度 L_G	Speed/acceleration L_G	max.25[m/s]/max.205[m/s ²]
速度/加速度 L_A	Speed/acceleration L_A	max.5[m/s]/max.8[m/s ²]
滑行速度/加速度	Gliding speed/acceleration	max.5[m/s]/max.12[m/s ²]
材料-允许温度 °C	Material-permitted temperature	igumid G/-40°C至+125°C
阻燃等级, igumid G	Flammability Class, igumid G	VDE 0304 IIC UL94 V2

CL66 拖链-产品规格范围
CL66 Cable Chain-Product specifications

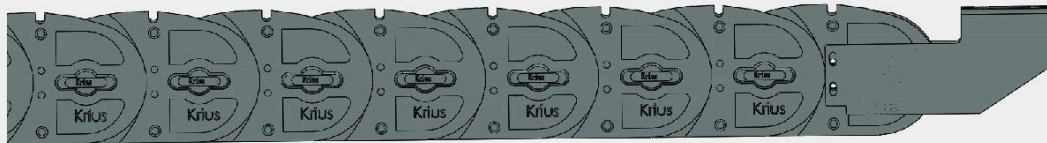
CL66拖链-铝杆长度可订制 CL66 Cable Chain-The Al bar length can be customized



产品代码结构
Part Number Structure

CL66100*R*L*n

- 数量 (Quantity)
- 拖链长度 (Length of Cable chains)
- 弯曲半径 (Bending Radius)
- 内宽 (Inner Width)
- 型号 (Type)



型号 Type	弯曲半径<R> Bending radius	内高<Hi> Inner height	内宽<Wi> Inner width	外高<H> Outer height	外宽<W> Outer Width	重量<G> Weight	备注 Remark
	mm (in.)	mm (in.)	mm (in.)	mm (in.)	mm (in.)	kg/m (lbs/ft)	
CL66		66 (2.60)	100-600 (3.94-23.62)	106(4.17)	154-654 (6.06-25.75)		铝杆长度可在内宽范围内进行订制 The Al bar length can be customized with in the limits of below the inner width

订货范例
Order details

CL66100 * R150 * 1000mm * 2

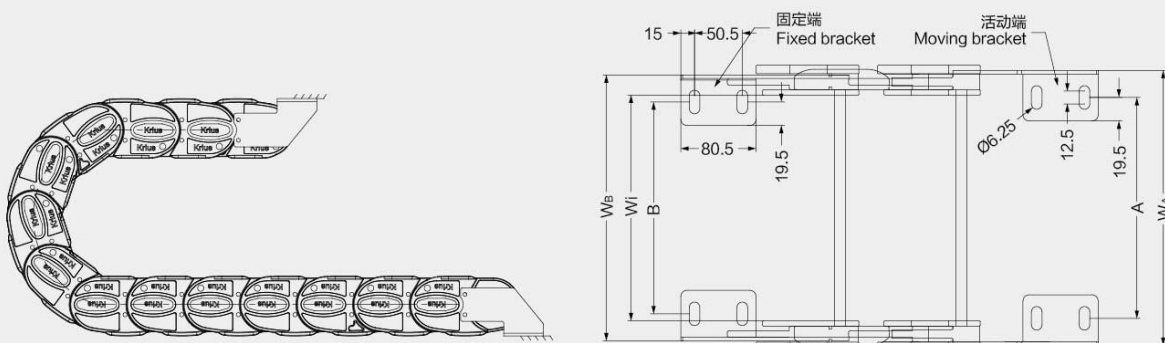
R	Hi	D	K	P
150 (5.91)	406 (15.98)	310 (12.20)	670 (26.38)	99 (3.90)
200 (7.87)	506 (19.92)	410 (16.14)	825 (32.48)	99 (3.90)
250 (9.84)	606 (23.86)	510 (20.08)	985 (38.78)	99 (3.90)
300 (11.81)	706 (27.80)	610 (24.02)	1140 (44.88)	99 (3.90)
350 (13.78)	806 (31.73)	710 (27.95)	1300 (51.18)	99 (3.90)
400 (15.75)	906 (35.67)	810 (31.89)	1455 (57.28)	99 (3.90)
500 (19.69)	1106 (43.54)	1010 (39.76)	1770 (69.69)	99 (3.90)

CL66 拖链-拖链接头 CL66 Cable Chain-Mounting Bracket

钢制接头, 分体式 Steel Mounting Bracket, Splited structure

- 双侧独立式钢制接头
- 耐腐蚀 & 耐摩擦
- 可实现内外连接
- Independent Steel mounting bracket on the two end
- Anti-corrosion, Rub-resistance
- Can realize the internal and external connections

接头安装方式 Installation methods

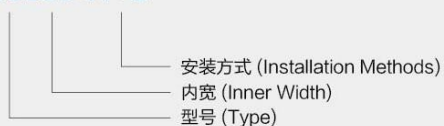


CL66100-CL66600

拖链型号 Type	主体编码 Main body code	A尺寸 Dimension A	W _A 尺寸 Dimension W _A	B尺寸 Dimension B	W _B 尺寸 Dimension W _B
		mm	mm	mm	mm
CL66	13003	(Wi-12)	(Wi+54)	(Wi-30)	(Wi+45)

产品代码结构 Part Number Structure

CL66100*A+B

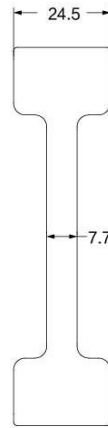
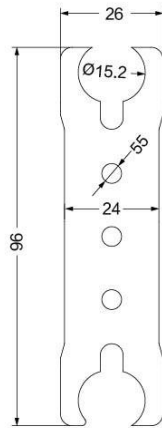
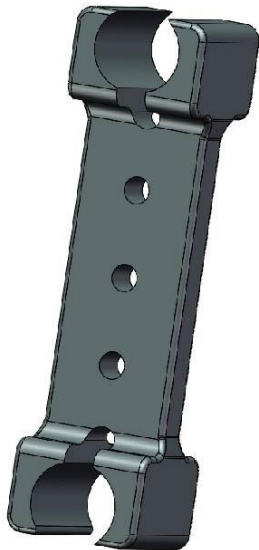


★ 每款拖链的接头都有所不同, 订购时如有任何疑问, 请及时咨询科瑞斯。
Every bracket is different, please contact us if you have any question.

- CL66100*B*n 两端接头
On both brackets
- CL66100*f*n 固定端接头
Fixed bracket
- CL66100*m*n 移动端接头
Moving bracket



CL66 拖链-隔离片 CL66 Cable Chain-Separator



CL66拖链隔离片编码: 11008
The separator No. for CL66: 11008

- 本款拖链配备的隔离片为竖隔片, 可以实现垂直分隔
- 竖隔片的数量可以根据客户的实际需求进行配备, 可以每隔一个链节装一个, 也可以每隔一个链节装几个, 客户可任意配备
- 竖隔片安装完成后, 可以根据线缆排布进行滑动
- Vertical separators are used in this type to realize vertical subdivision
- Vertical separators can be set up as customers' requires
- Separator can be moved for different cable